



## Fuse disconnect terminal block with pivoting fuse holder; for 5 x 20 mm miniature metric fuse; without blown fuse indication

Item No.: 281-611



Fuse disconnect terminal block with pivoting fuse holder; for 5 x 20 mm miniature metric fuse; without blown fuse indication

### Marking

RoHS ✓  
Compliant

### Business data

Supplier	WAGO
Item no.	281-611
GTIN / EAN	4045454614591
Content	1
Order amount	50
Customer item number	

### Notes

### Technical data

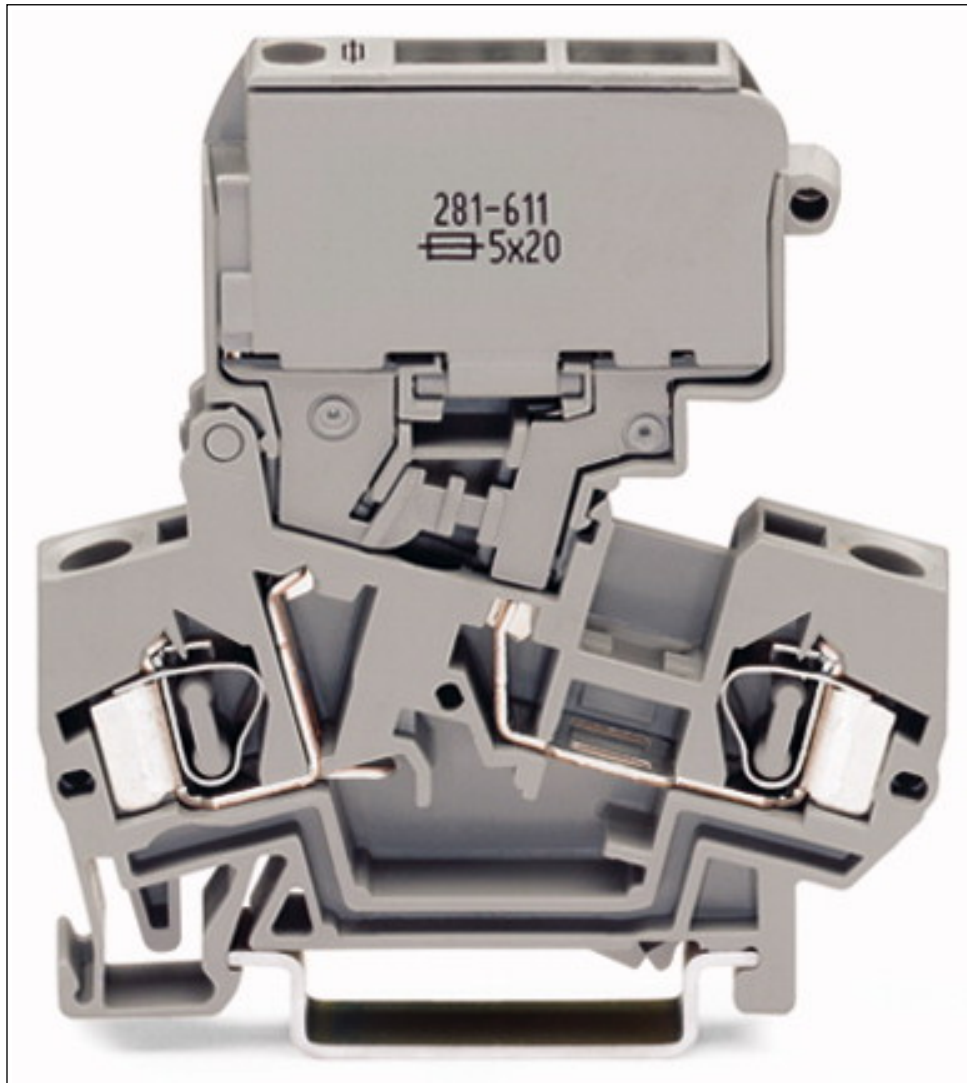
#### Miscellaneous

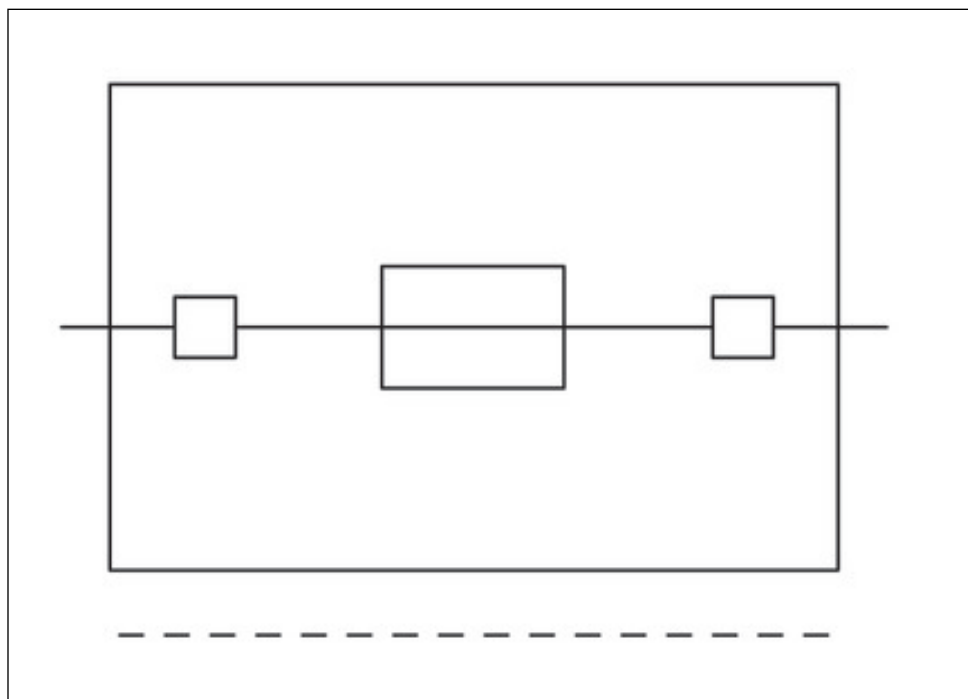
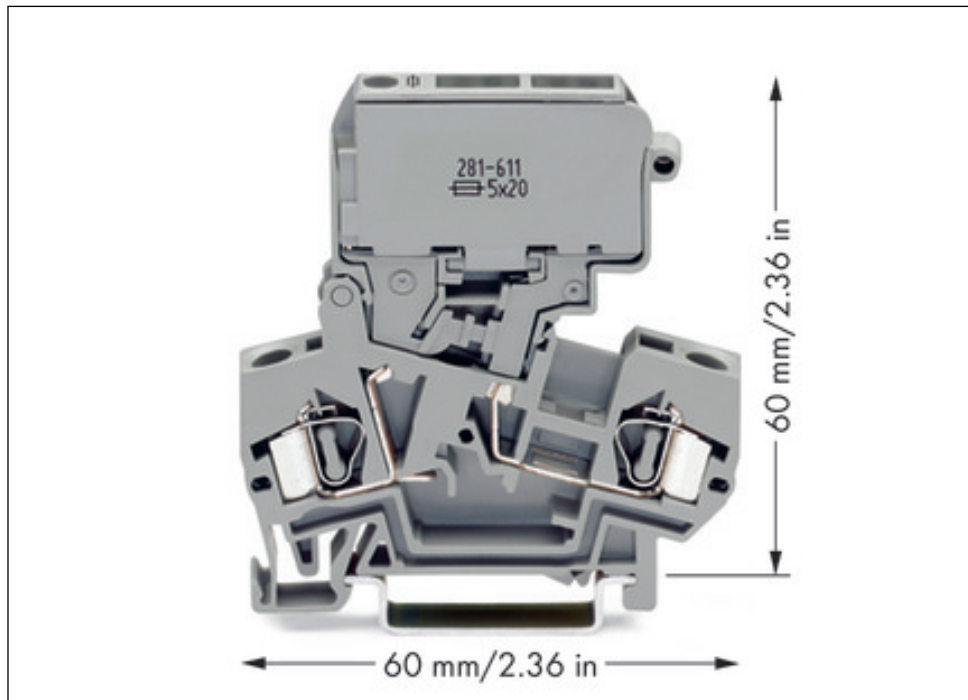
Safety information 1	Electrical ratings are given by the fuse.
Packaging type	BOX
Ratings per	IEC/EN 60947-7-3
Rated voltage (III / 3) [V]	800 [V]
Rated impulse voltage (III / 3) [kV]	8 [kV]

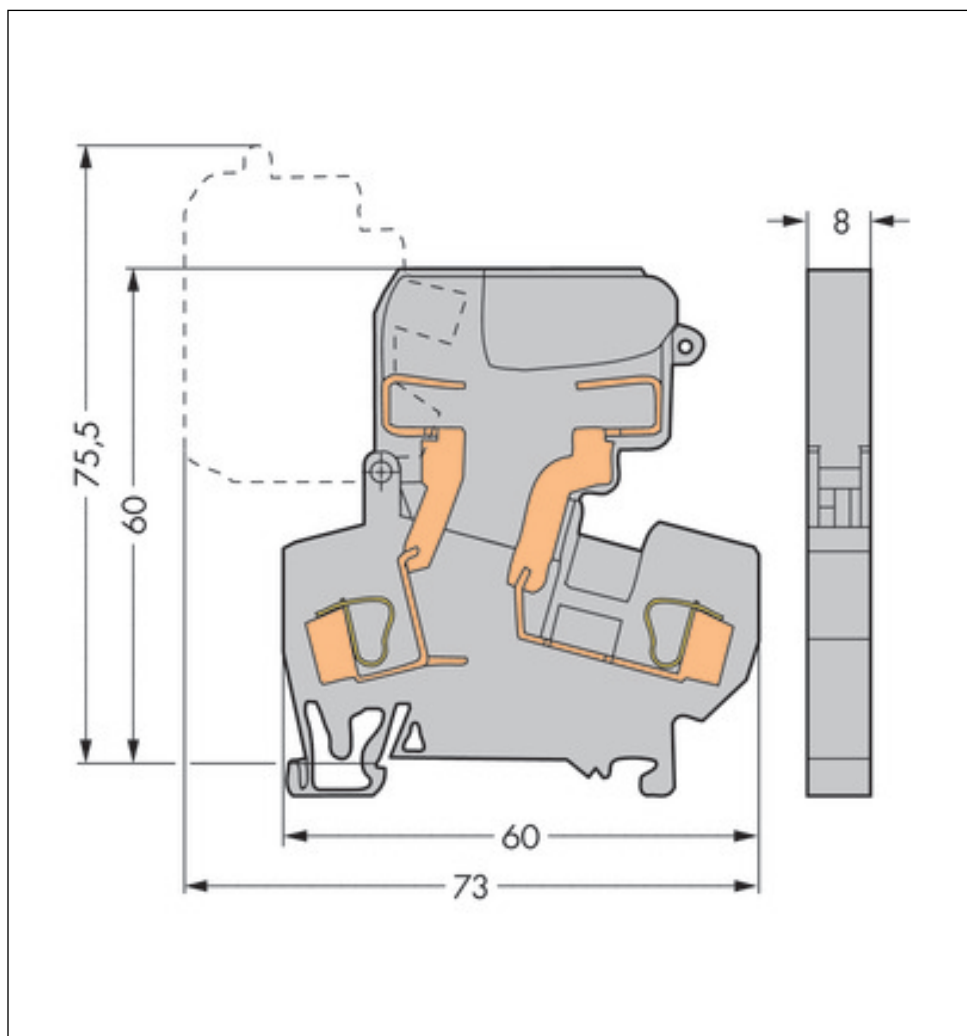
Printview: Fuse disconnect terminal block with pivoting fuse holder; for 5 x 20 mm miniature metric fuse; without blown fuse indication - Item No.: 281-611

<b>Technical data</b>	
<i>Rated current [A]</i>	<i>10 [A]</i>
<i>Legend (ratings)</i>	<i>(III / 3) Overvoltage category III / Pollution degree 3</i>
<i>Type of wiring</i>	<i>Front-entry wiring</i>
<i>Total number of connection points</i>	<i>2</i>
<i>Total number of potentials</i>	<i>2</i>
<i>Number of levels</i>	<i>1</i>
<i>Connection technology</i>	<i>CAGE CLAMP®</i>
<i>Number of connection points (connection type)</i>	<i>2</i>
<i>Actuation type</i>	<i>Operating tool</i>
<i>Connectable conductor materials</i>	<i>Copper</i>
<i>Solid conductor</i>	<i>0.08 ... 4 mm<sup>2</sup> / 28 ... 12 AWG</i>
<i>Fine-stranded conductor</i>	<i>0.08 ... 4 mm<sup>2</sup> / 28 ... 12 AWG</i>
<i>Strip length</i>	<i>9 ... 10 mm / 0.35 ... 0.39 Inch</i>
<i>Width</i>	<i>8 mm / 0.315 Inch</i>
<i>Height from upper-edge of DIN-35 rail</i>	<i>60 mm / 2.362 Inch</i>
<i>Depth</i>	<i>60 mm / 2.362 Inch</i>
<i>Design</i>	<i>angled</i>
<i>Type of mounting</i>	<i>Carrier rail 35 x 15</i>
<i>Marking level</i>	<i>Center marking</i>
<i>Color</i>	<i>gray</i>
<i>Insulating material</i>	<i>Polyamide 66 (PA 66)</i>
<i>Fire load [MJ]</i>	<i>0.327 [MJ]</i>
<i>Weight [g]</i>	<i>17.32 [g]</i>

Images & drawings







#### Address

WAGO Kontakttechnik GmbH & Co. KG

Hansastr. 27

32423 Minden

Telefon: 0571/887-0

Fax: 0571/887-169

<http://www.wago.com>

© WAGO Kontakttechnik GmbH & Co. KG

Technische Änderungen und Irrtümer vorbehalten.