



## Socket with miniature switching relay

Item No.: 857-304



Socket with miniature switching relay

### Marking

RoHS ✓  
Compliant

### Business data

Supplier	WAGO
Item no.	857-304
GTIN / EAN	4050821797807
Content	1
Order amount	1
Customer item number	

### Notes

*Item description: Short description: Relay modules with replaceable miniature switching relays for electrical isolation of sensor/actuator level and control/PLC. WAGO relay modules are supplied in 6 mm-wide housing and share a common profile. The modules feature a single, flexible in-line jumper system (e.g., for supply voltages), eliminating discrete wiring. The pluggable relays can be replaced quickly and easily when needed. An optional interface adapter plugs into the input or output side, enabling 8 modules to be connected in-line via ribbon cable. The switch status is indicated by an integrated yellow LED. The device can be labeled using the WAGO WMB Multi marking system. Note: Inductive loads have to be attenuated by an appropriate protective circuit in order to protect relay coils and contacts.*

### Technical data

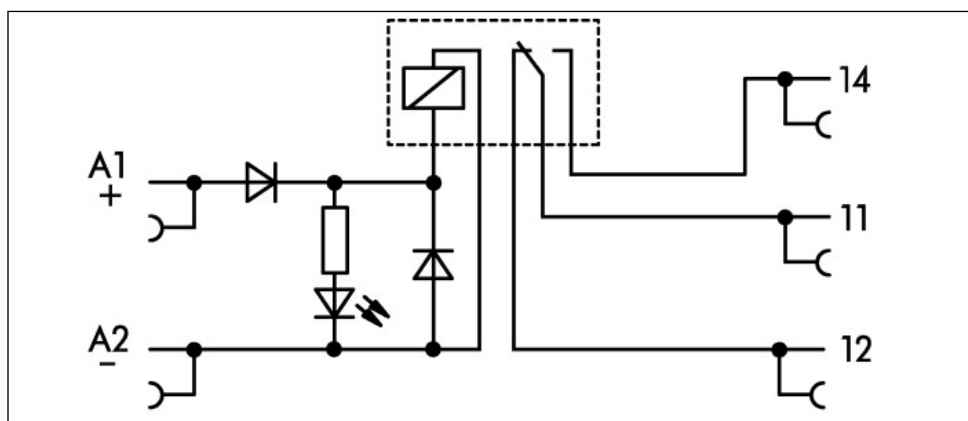
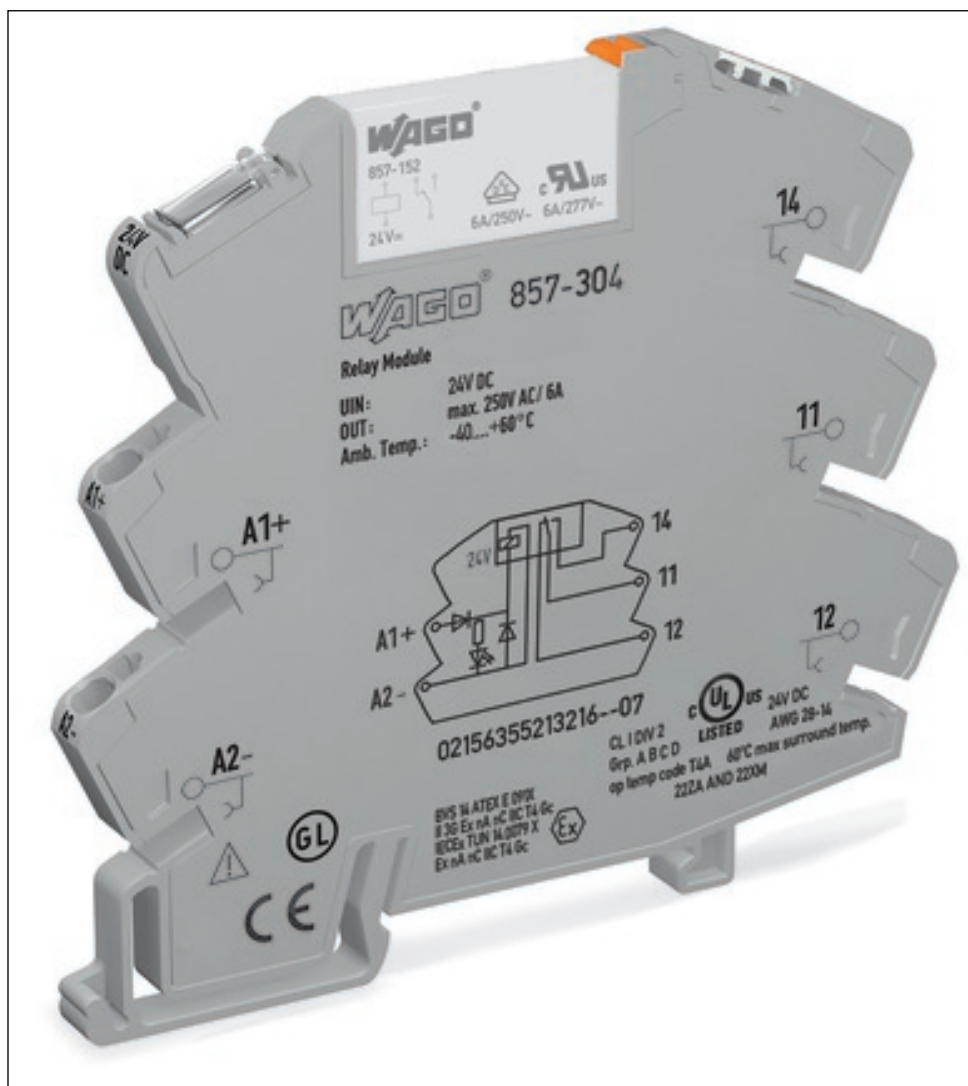
Miscellaneous

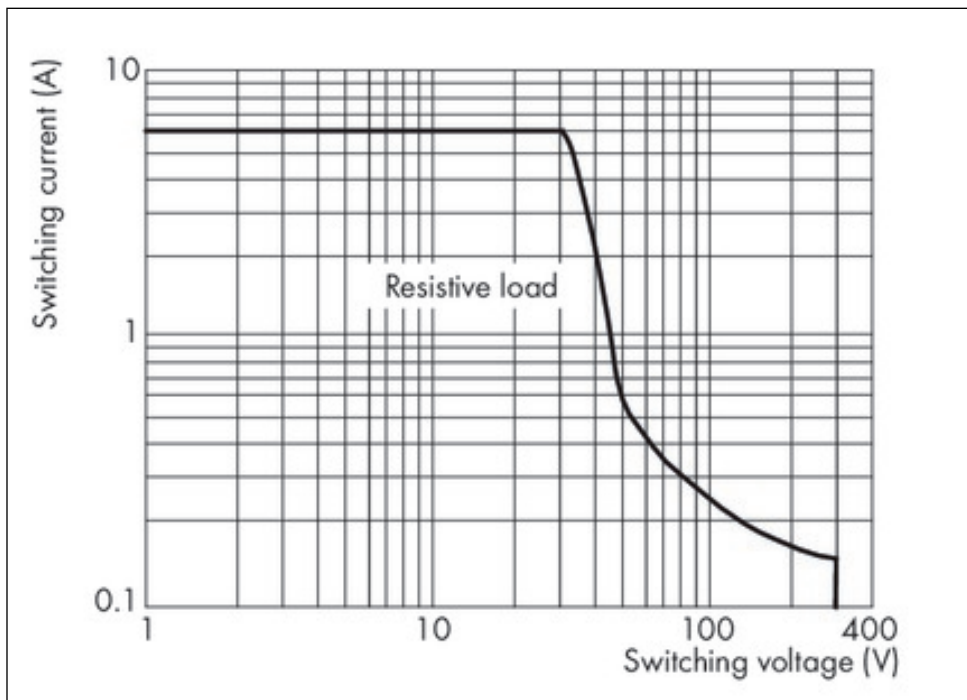
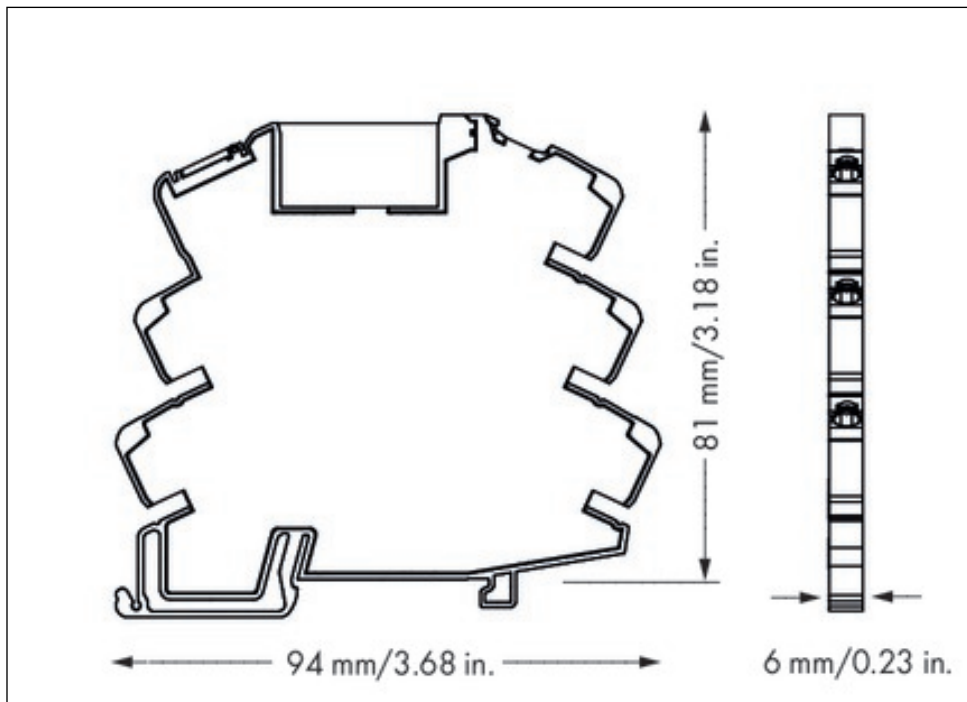
<b>Technical data</b>	
Packaging type	BOX
Type of wiring	Front-entry wiring
Color	gray
Weight [g]	30.46 [g]
Pollution degree	2
Rated voltage [V]	250 [V]
Rated impulse voltage [kV]	4 [kV]
Nominal input current $I_N$	10 mA
Operating power	< 300 mW
Input voltage range	UN -25 % ... +30 %
Recommended minimum load	10 VDC / 10 mA; 24 VDC / 1 mA
Max. switching load with load/without load	6 min-1 / 180 min-1
Nominal operating mode	continuous duty
Max. make current	20 ms (AC) 20 A
Mechanical life	5 x 10 <sup>6</sup> switching operations
Electrical life	5 x 10 <sup>4</sup> switching operations
Number of break contacts/switch off contacts	1
Number of make contacts/switch on contacts	1
Number of changeover/switchover contacts	1
Limiting Continuous Current [A]	6 [A]
Dielectric strength, contact-coil (AC, 1 min) [kVrms</s	4 [kVrms]
Nominal input voltage (DC) [V]	24 [V]
Nominal input voltage UN	24 VDC
Nominal output voltage (AC) [V]	250 [V]
Switching voltage (max.) AC [V]	250 [V]
Max. switching power (resistive)	1,500 VA (AC); DC see load limit curve
Dielectric strength open contact (AC, 1 min) [kVrms</su	1 [kVrms]
Pull-in time (typ.) [ms]	8 [ms]
Drop-out time (typ.) [ms]	4 [ms]
Connection technology	Push-in CAGE CLAMP®
Width	6 mm / 0.236 Inch
Height from upper-edge of DIN-35 rail	81 mm / 3.189 Inch
Depth	94 mm / 3.701 Inch
Type of mounting	Carrier rail 35 x 15
Contact material	AgSnO <sub>2</sub>

**Technical data**

<i>Fire load [MJ]</i>	<i>0.619 [MJ]</i>
<i>Processing temperature</i>	<i>-25 °C ... +50 °C</i>
<i>Conformity marking</i>	<i>CE</i>

Images & drawings





**Address**

WAGO Kontakttechnik GmbH & Co. KG

Hansastr. 27

32423 Minden

Telefon: 0571/887-0

Fax: 0571/887-169

<http://www.wago.com>

© WAGO Kontakttechnik GmbH & Co. KG

Technische Änderungen und Irrtümer vorbehalten.