

Printview: Socket with miniature switching relay; UC 24 V; 8.5 mA; Relay with 1 changeover contact (1u); for normal switching power - Item No.: 857-354



Socket with miniature switching relay; UC 24 V; 8.5 mA; Relay with 1 changeover contact (1u); for normal switching power

Item No.: 857-354



Socket with miniature switching relay; UC 24 V; 8.5 mA; Relay with 1 changeover contact (1u); for normal switching power

Marking

RoHS ✓
Compliant

Business data

Supplier	WAGO
Item no.	857-354
GTIN / EAN	4055143122061
Content	1
Order amount	1
Customer item number	

Notes

Note: Inductive loads have to be attenuated by an appropriate protective circuit in order to protect relay coils and contacts.

Technical data

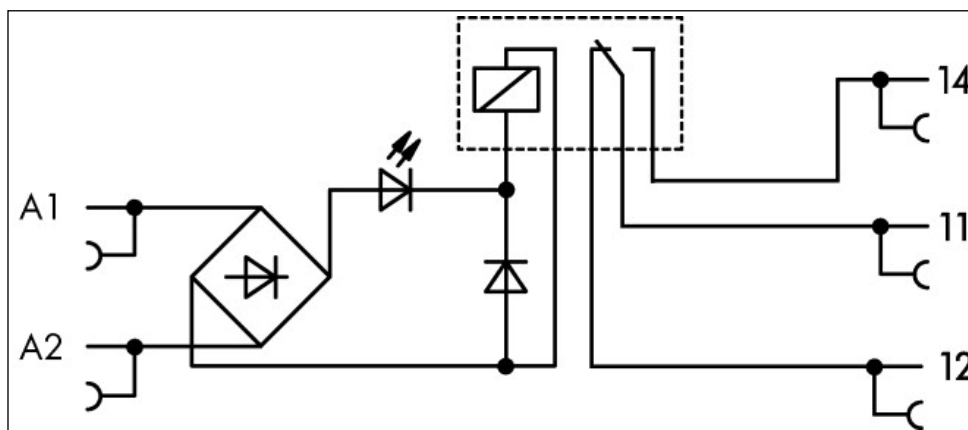
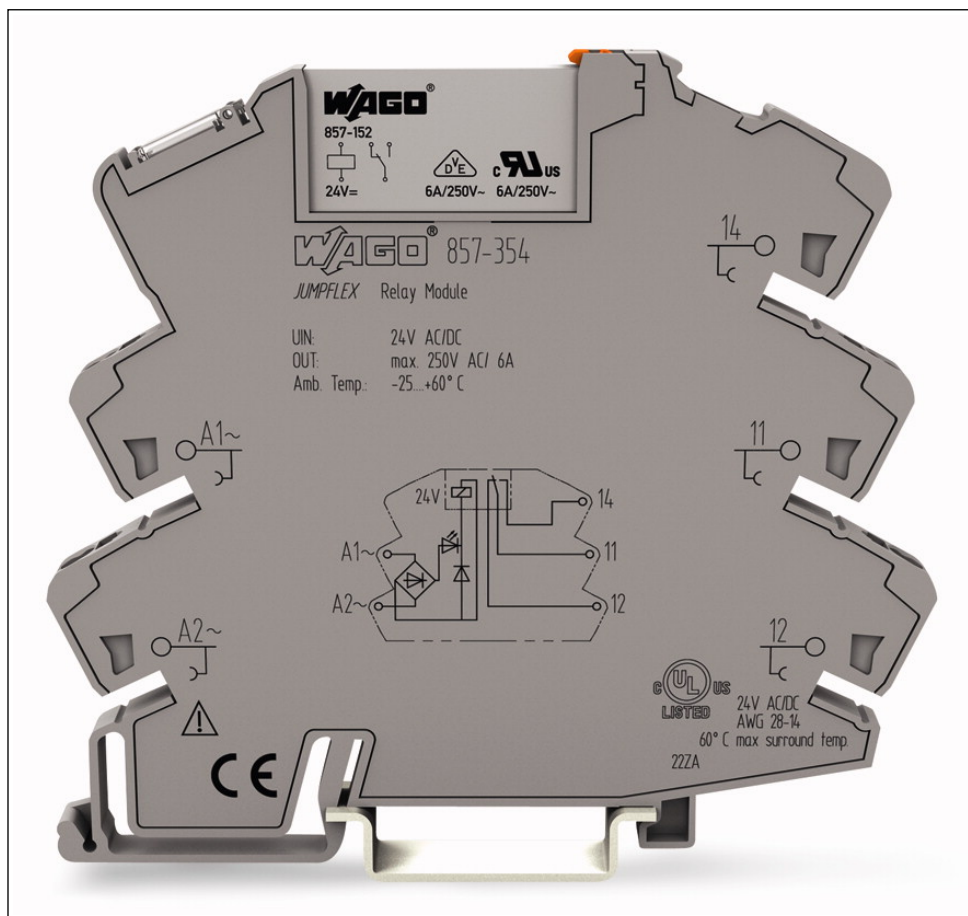
Miscellaneous

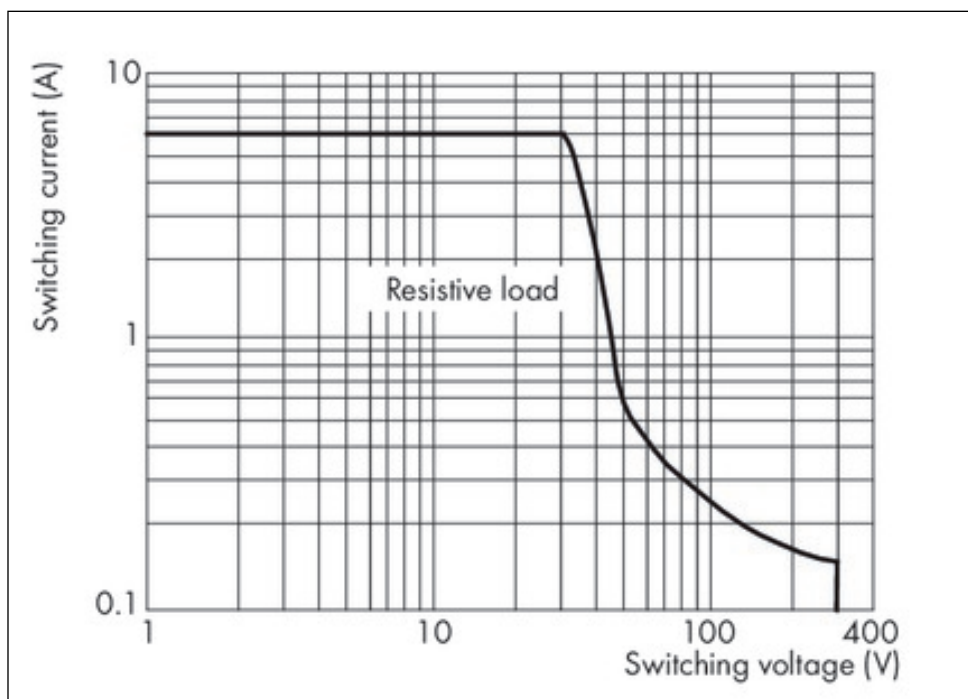
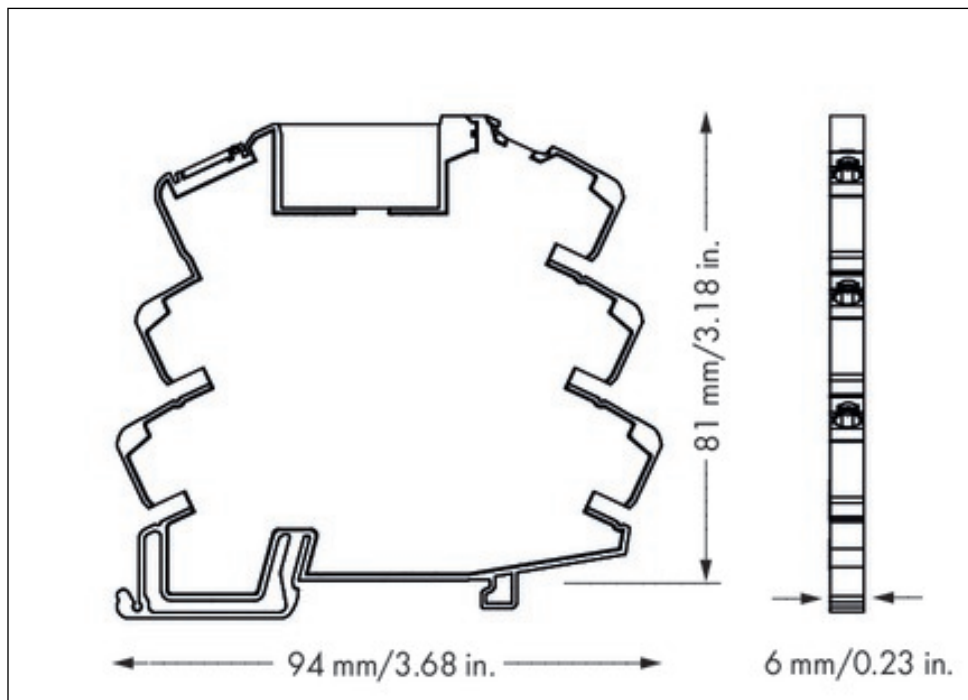
Connection technology	Push-in CAGE CLAMP®
Solid conductor	0.34 ... 2.5 mm ² / 22 ... 14 AWG
Fine-stranded conductor	0.34 ... 2.5 mm ² / 22 ... 14 AWG

Printview: Socket with miniature switching relay; UC 24 V; 8.5 mA; Relay with 1 changeover contact (1u); for normal switching power - Item No.: 857-354

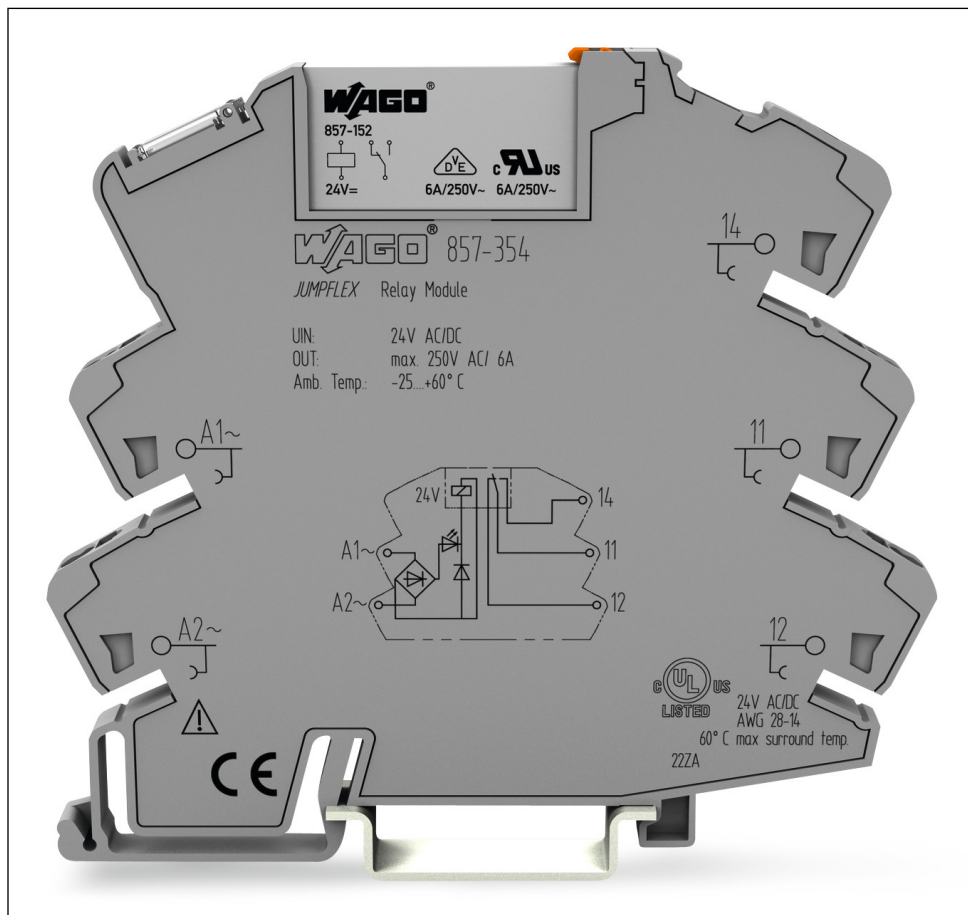
Technical data	
<i>Strip length</i>	9 ... 10 mm / 0.35 ... 0.39 Inch
<i>Width</i>	6 mm / 0.236 Inch
<i>Height from upper-edge of DIN-35 rail</i>	81 mm / 3.189 Inch
<i>Depth</i>	94 mm / 3.701 Inch
<i>Type of mounting</i>	DIN-35 rail
<i>Type of wiring</i>	Front-entry wiring
<i>Color</i>	gray
<i>Weight [g]</i>	30.85 [g]
<i>Permissible ambient operating temperature at UN</i>	-40 ... 60 °C
<i>Ambient temperature (storage)</i>	-40 ... 70 °C
<i>Processing temperature</i>	-25 ... 50 °C
<i>Pollution degree</i>	2
<i>Standards/specifications</i>	EN 61010-2-201; EN 61810-1; EN 61373; UL 508; ATEX, IEC Ex
<i>Packaging type</i>	BOX
<i>Main product function</i>	Relay module
<i>Product type</i>	Relay modules
<i>Housing design</i>	Terminal block
<i>Min. nominal input voltage. (AC) [V]</i>	AC24 [V]
<i>Max. nominal input voltage (AC) [V]</i>	AC24 [V]
<i>Min. nominal input voltage (DC) [V]</i>	DC24 [V]
<i>Max. nominal input voltage (DC) [V]</i>	DC24 [V]
<i>Input voltage (AC) max. [V]</i>	AC28.8 [V]
<i>Input voltage (AC) min. [V]</i>	AC20.4 [V]
<i>Input voltage (DC) max. [V]</i>	DC28.8 [V]
<i>Input voltage (DC) min. [V]</i>	DC20.4 [V]
<i>Number of changeover contacts</i>	1
<i>Number of make contacts</i>	1
<i>Number of break contacts</i>	1
<i>Nominal input voltage (AC) [V]</i>	AC24 [V]
<i>Nominal input voltage (DC) [V]</i>	DC24 [V]

Images & drawings





Printview: Socket with miniature switching relay; UC 24 V; 8.5 mA; Relay with 1 changeover contact (1u);
for normal switching power - Item No.: 857-354



Address

WAGO Kontakttechnik GmbH & Co. KG

Hansastr. 27

32423 Minden

Telefon: 0571/887-0

Fax: 0571/887-169

<http://www.wago.com>

© WAGO Kontakttechnik GmbH & Co. KG

Technische Änderungen und Irrtümer vorbehalten.