

CATALOG



> Inductive and
Capacitive Sensors

DATALOGIC: SOLUTIONS FOR INDUSTRIAL AUTOMATION

Datalogic Industrial Automation is an industry-leader in products and solutions for material handling, traceability, inspection and detection applications.

With the acquisitions of Accu-Sort and PPT Vision in 2012, the company offers a comprehensive portfolio of products, technologies and solutions delivered by a team of skilled professionals dedicated in providing superior service to customers.

Datalogic is the partner of choice for organizations in the Industrial Automation market.

Manufacturing

- AUTOMOTIVE
- ELECTRONICS
- FOOD & BEVERAGE
- GENERAL MANUFACTURING
- HEALTHCARE - PHARMACEUTICAL

Transportation & Logistics

- AIRPORTS
- COURIER, EXPRESS PARCEL (CEP)
- POSTAL
- RETAIL DISTRIBUTION

Product portfolio

Datalogic Industrial Automation has the most comprehensive offering of products and solutions for traceability, inspection and detection applications in factory automation and logistics processes: industrial LASER scanners, cameras and vision systems, sensors, machine safety devices and LASER markers.

Identification

Even the most demanding and efficient automation of identification processes can leverage Datalogic Industrial Automation's leadership in the market. We manufacture the world's most comprehensive family of fixed-mount line and omnidirectional scanners.

We also offer the latest CCD vision technology with the world's largest installed base of CCD systems for bar code reading and dimensioning.

All of our AUTO-ID products and solutions leverage the broadest decoding library that has been developed through the years. Datalogic's comprehensive AUTO-ID portfolio is used in a wide range of applications and machines which are behind many of the everyday processes that keeps the global economy running.

Sensors & Safety

Datalogic Industrial Automation offers a best-in-class, comprehensive product portfolio of photoelectric and proximity sensors, rotary encoders, temperature controllers and measurement devices, as well as type 2 and type 4 safety light curtains.

These product lines provide solutions for applications involving color, contrast and luminescence, label detection, dimensional and distance measurement, in addition to machine safeguarding and access control in dangerous areas.

Machine Vision

The Datalogic Industrial Automation machine vision product line encompasses both hardware and software while covering a wide range of performance and price point requirements. The vision portfolio of products and solutions ranges from standalone compact smart cameras to the highest performance embedded processors.

Laser Marking

Laser Marking sources and systems provide value driven marking solutions for automotive, metal tools, medical, electronics and packaging. Datalogic Industrial Automation offers an extensive range of state-of-the-art technology, excellent performance and high reliability marking equipment.



Inductive Sensors

Inductive proximity sensors generate a magnetic field from their detection faces. Whenever a detectable object moves into the sensor's field of detection, Eddy currents build up in the target and dampen the sensor's magnetic field. This effect triggers the sensor's output. Since a current in the target is needed for detection, inductive proximity sensors are uniquely suited for detection of all types of metals.

ADVANTAGES

- Not affected by humidity and dust
- No moving parts, no mechanical wear
- Independent of the color of the object to detect
- No dead zone

DISADVANTAGES

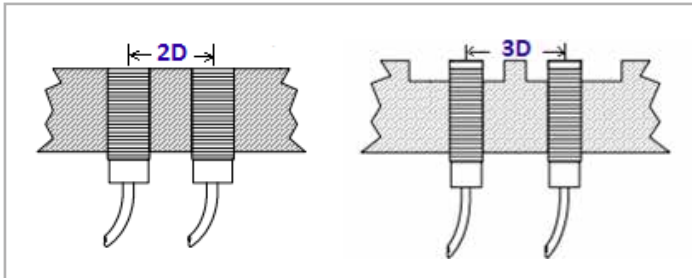
- only detect metallic objects
- low operating distance
- sensitive to electromagnetic interference (such as electric welding, induction ovens)

Shielded models - FLUSH mounting

Shielded models can be installed with their sensing faces flush to the metal. The distance from opposing metal surfaces must be $\geq 3s_n$ and the distance between two proximity switches (side-by-side) $\geq 2D$.

Unshielded models - NON-FLUSH mounting

Unshielded models can be identified by their 'caps', since they have no metal housing surrounding the area of the sensing face. The sensing face must extend $\geq 2s_n$ from the metallic installation medium. The distance from opposing metal surfaces must be $\geq 3s_n$ and the distance between two adjacent proximity switches $\geq 3D$. The metal body leaves uncovered part of the sensing area resulting in an increased sensing distance.



Main tubular models are available in both nickel plated brass and stainless steel housing, with the active sensing face in LCP plastic.

METAL FACE version:

Are available stainless steel versions (M12,M18). Are used in especially harsh environments and applications which are too extreme for standard sensors. They resist to abrasive media, aggressive cleaners and solvents with their rugged sensing face. IP67 protection.

WELD FIELD IMMUNE version:

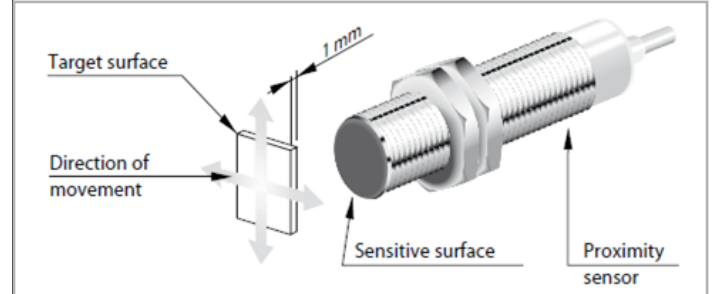
These special field immune models are ideal for welding environments and other applications where large magnetic fields are present. They are rated for reliable operation near the current line carrying 20,000 amps.

NAMUR version:

Are available 2 wires versions (M5, M6,5, M8, M12, M18, M30). They can be used in conjunction with suitable switching amplifiers. The switch amplifier must be installed outside the explosive area. Almost all versions have IP67 mechanical protection.

Nominal Switching distance (Sn) According to EN 60947-5-2

When an inductive proximity sensor is rated for sensing distance, it refers to the sensor's ability to detect the 'standard detectable object' at its specified sensing distance. The 'standard detectable object' is a 1mm thick square piece of ferrous iron that is in height and width the size of the proximity sensor's detection face's diameter.

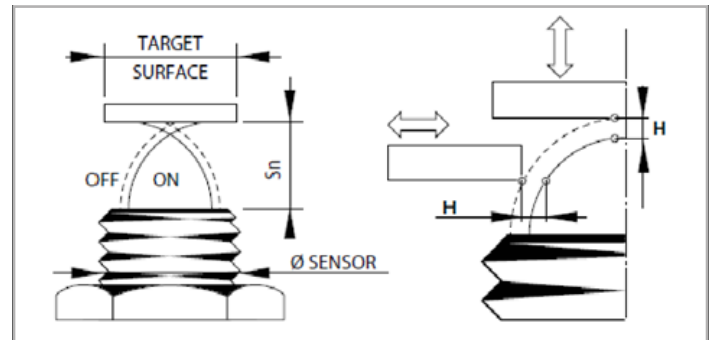


When the object to be detected is a different metal material, multiply the value of the rated operating distance for a reduction factor. The table beside shows the average reduction factors of materials according to the standards.

| REDUCTION FACTOR | |
|--|----------|
| Fe37 | 1 x Sn* |
| Stainless Steel AISI316L (X2CrNiMo17-12-2, UNI EN 10088-3) | 0,9 x Sn |
| Brass-Bronze (CuZn33, UNI EN 12163:1999) | 0,5 x Sn |
| Aluminum (25°C) (EN AW-1060, UNI EN 573-3:2006) | 0,4 x Sn |
| Copper (Cu-DHP, UNI EN 1652:1999) | 0,3 x Sn |

Hysteresis (H):

distance between the point of switching on and the point of switching off of the trigger object. The value is a percentage of the nominal switching distance Sn.



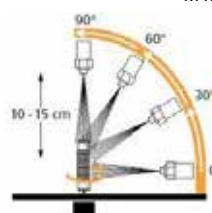
AC/DC version:

Are available 2/3-wires versions (M12, M18, M30), that operate in alternating current with voltage drop of 5 V for currents of the order of 100mA. To be able to provide a proper potential drop at the load, it is recommended to power the sensors with at least a supply voltage equal to the Voltage drop indicated (5V).

"M12/18/30 models are Diversey and ECOLAB tested"



M12/18/30 FLUSH Vdc models are ATEX certified
I I 3G EX nA II T6
I I 3D EX tD A22 IP67 T85°C



IP69K

The Stainless Steel series is rated IP69K.

OPERATING DISTANCE

| MODEL | M4 | M5 | M6,5 | M8 | M12 | M18 | M30 | SQUARE |
|-------------------------|-----|-----------|-------|---------|-------|--------|---------|------------|
| DIAMETER (mm) | 4 | 5 | 6,5 | 8 | 12 | 18 | 30 | 8X8; 40X40 |
| OPERATING DISTANCE (mm) | 0,8 | 0,8...1,5 | 1...3 | 1,5...3 | 2...8 | 5...14 | 10...20 | 1,5...30 |

HOUSING LENGTHS

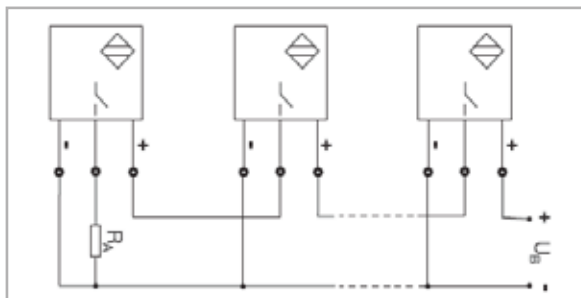
The following table shows the approximate length (mm) intervals for all categories and models of tubular inductive sensors.

| MODELS | STANDARD | | SHORT | |
|--------|-----------|---------|-----------|---------|
| | connector | cable | connector | cable |
| M4 | --- | 25 | --- | --- |
| M5 | 40 | 20...25 | --- | --- |
| M6,5 | 53...63 | 46...55 | 50...54 | 40...44 |
| M8 | 52...73 | 44...55 | 48...57 | 40...44 |
| M12 | 68...72 | 58...64 | 48...54 | 42...48 |
| M18 | 73...82 | 70...78 | 56...65 | 47...56 |
| M30 | 74...85 | 70...82 | 56...68 | 49...56 |

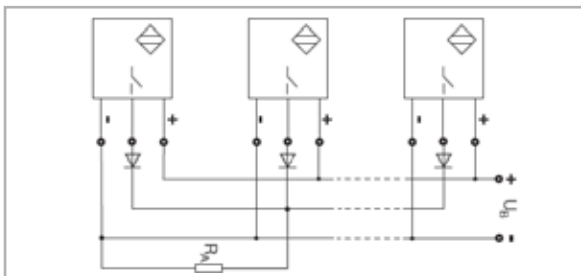
WIRES

| TYPE | description |
|-----------|--|
| 2-3 WIRES | Work with sinking or sourcing devices |
| | Vdc, Vac and NAMUR versions |
| | Higher leakage current |
| 3 WIRES | Must select PNP or NPN, NC or NO version |
| | 10-30 Vdc version |
| | Low leakage current |
| 4 WIRES | Programmable output |
| | PNP/NPN and NC/NO in one device |

The number of inductive proximity sensors that can be connected in series or parallel is limited.



Parallel connection: the leakage current of each single sensor, when added to the other, may accumulate and drive the load even in the absence of operated switches.



This problem is more relevant in versions AC 2-wire, because of the high voltages and currents supplied to the sensor. For this type of connection you should use a 3-wire sensors working in DC.

ELECTRICAL PARAMETERS

- NOMINAL VOLTAGE**
 Is the permissible voltage range in which certain safe operation of the switch is guaranteed.
- RESIDUAL RIPPLE**
 Is the maximum admissible ripple of the DC supply voltage shown as percentage to its medium value.
- MAX. OUTPUT CURRENT**
 It shows maximum output current a sensor can cope with when working steadily.
- MIN. OUTPUT CURRENT**
 Is the smallest load current required for function of the switch when ON.
- RESIDUAL CURRENT**
 Is the current flowing through the load when a proximity switch is not conducting (open).
- VOLTAGE DROP**
 Is the voltage measured across the load of a closed (conducting) sensor at load current.
- START UP DELAY**
 Is the time from when the supply voltage is applied, and the proximity switch assumes the ready state. This time may not be longer than 300 ms. During this time there must be no fault signal longer than 2 ms.
- SWITCHING FREQUENCY**
 Refers to the maximum number of switching operations per second.
- SHORT CIRCUIT PROTECTION**
 Is 100 A, i. e., per EN 60947-5-2 the power supply during testing in short circuit mode must be able to provide at least 100 A for a short duration. This current is prescribed in the standard in order to test.
- PROTECTION AGAINST INVERSION OF POLARITY**
 Available in DC supplied type, it prevents the sensor from being damage when supply cables are incorrectly connected.
- INDUCTIVE LOAD PROTECTION**
 It protects sensor output in presence of high inductive loads. This protection is performed by a diode or zener diode.

BASIC

08

- Nickel-plated Brass housing
- LCP active face
- Standard length
- Short length
- Normal and Double range Operating distance
- Operating distance: 1,5 ... 20 mm
- M6,5, M8, M12, M18, M30
- cable, M8 or M12 connector
- 2, 3 or 4 wires
- PNP, NPN, PNP/NPN, NO, NC, NO/NC
- IP67 protection

STAINLESS STEEL

32

- Stainless Steel housing
- M4, M5 POM active face - M6,5, M8, M12, M18, M30 LCP active face
- Standard length
- Short length
- Normal and Double range Operating distance
- Operating distance 0.8 ... 20 mm
- M4, M5, M6,5, M8, M12, M18, M30
- cable, M8 or M12 connector
- 3 wires
- PNP, NPN, NO, NC
- IP69K protection

INDUCTIVE AC

54

- Nickel-plated Brass housing
- PA 16 active face
- Standard length
- Operating distance 2 ... 10 mm
- M12, M18, M30
- cable or M12 connector
- 20+250 Vac (50,60 Hz)
- 2 or 3 wires
- NO
- IP67 protection

NAMUR

60

- Nickel-plated Brass housing
- LCP active face
- Short length
- Operating distance 0.8 ... 15 mm
- M12, M18
- cable, M8 or M12 connector
- 2 wires
- PNP, NO
- IP67 protection

M4

- flush
- Stainless Steel
- op.dist.: 0,8 mm
- diameter: 4 mm
- 3 wires
- PNP or NPN, N.O.
- cable

M5

- flush
- Stainless Steel
- op.dist.: 0,8 mm
- double range vers.: 1,5 mm
- diameter: 5 mm
- 3 wires
- NAMUR vers.
- PNP or NPN, N.O., N.C.
- M8 connector or cable

M6,5

- flush, non-flush
- Stainless Steel, Nickel plated-Brass
- op.dist.: 1,5...2 mm
- double range vers.: 2...3 mm
- diameter: 6,5 mm
- standard or short housing
- 3 wires
- NAMUR (2wires) vers.
- PNP or NPN, N.O., N.C.
- M8 connector or cable

M8

- flush, non-flush
- Stainless Steel, Nickel plated-Brass
- op.dist.: 1,5...2 mm
- double range vers.: 2...3 mm
- diameter: 8 mm
- standard or short housing
- 3 wires
- NAMUR (2wires) vers.
- PNP or NPN, N.O., N.C.
- M8, M12 connector or cable

M12

- flush, non-flush
- Stainless Steel, Nickel plated-Brass
- op.dist.: 2...4 mm
- double range vers.: 4...8 mm
- diameter: 12 mm
- standard or short housing
- 2, 3, 4 (programmable NPN/PNP output) wires
- Vac/Vdc vers.
- Metal Face vers.
- NAMUR vers.
- Field Immune vers.
- PNP or NPN, N.O., N.C.
- M12 connector or cable

METAL FACE

46

- Stainless Steel housing
- Stainless Steel AISI 303 active face
- Stainless Steel active face
- Standard length
- 2 ... 8 mm
- M12, M18
- M12 connector
- 3 wires
- PNP, NO
- IP67 protection

WELD FIELD IMMUNE

50

- Stainless Steel housing
- PTFE active face
- Standard length
- Operating distance 2 ... 8 mm
- M12, M18
- M12 connector
- 3 wires
- PNP, NO
- IP67 protection

SQUARE

70

- PBT (resin) or Nickel-plated Brass housing
- Operating distance 1.5 ... 15 mm
- 40x40 mm or 8x8 mm dimension
- cable, M8 connector or Terminal Block
- 2 or 3 wires
- PNP, PNP/NPN, NO, NC, NO/NC
- IP67

CAPACITIVE

76

- Nickel plated brass
- M18, M30
- Basic line NO-NC
- Capacitive A.C. (plastic housing)
- Multivoltage (SPDT relay)
- Operating distance: 5...25 mm
- Cable or M8 connector
- 2,4,6 wires
- PNP or NPN, N.O. and N.C. outputs, SPDT relay
- Delay ON or delay OFF model
- IP67 protection

CABLES, CONNECTORS & ACCESSORIES

84

M18

- flush, non-flush
- Stainless Steel, Nickel plated-Brass
- op.dist.: 5...8 mm
- double range vers.: 8...14 mm
- diameter: 18 mm
- standard or short housing
- 2, 3 4 (programmable NPN/PNP output) wires
- Vac/Vdc vers.
- Metal Face vers.
- Field Immune vers.
- NAMUR vers.
- PNP or NPN, N.O., N.C.
- M12 connector or cable
- Capacitive D.C., N.O.-N.C. outputs
- Capacitive A.C., 2 wires, N.O.

M30

- flush, non-flush
- Stainless Steel, Nickel plated-Brass
- op.dist.: 10...15 mm
- double range vers.: 15...20 mm
- diameter: 30 mm
- standard or short housing
- 2, 3, 4 (programmable NPN/PNP output) wires
- Vac/Vdc vers.
- NAMUR vers.
- PNP or NPN, N.O., N.C.
- M12 connector or cable
- Capacitive D.C., N.O.-N.C. outputs
- Capacitive A.C., 2 wires, N.O.
- Capacitive Multivoltage with timer relay output

SQUARE 40X40

- flush, non-flush
- standard or short housing
- Plastic (PBT resin)
- op.dist.: 15...30 mm; 7-20 mm (Analog vers.)
- diameter: 40 mm
- 2, 3 wires
- Vac/Vdc vers.
- Analog output 4-20mA vers.
- PNP or NPN, N.O., N.C.
- Terminal block

SQUARE 8X8

- flush
- Nickel-Plated Brass
- op.dist.: 1,5 mm
- diameter: 8 mm
- 3 wires, PNP, N.O.
- M8 connector or cable

BASIC

Nickel-plated Brass housing

LCP active face

Standard length

Short length

Normal and double range operating distance

Operating distance: 1,5 ... 20 mm

M6,5, M8, M12, M18, M30

cable, M8 or M12 connector

2, 3 or 4 wires

PNP, NPN, PNP/NPN, NO, NC, NO/NC

IP67 protection

REDUCTION FACTOR

| | ALUMINUM (25°C) | STAINLESS STEEL AISI316L | COPPER | BRASS |
|-----------|-----------------|-----------------------------|-----------|-----------|
| FLUSH | 0,3...0,5 | 0,7...0,9 | 0,2...0,5 | 0,4...0,6 |
| NON-FLUSH | 0,4...0,6 | 0,7...1,05 | 0,4...0,5 | 0,5...0,7 |

~M12/18/30 models are Diversey and ECOLAB tested~

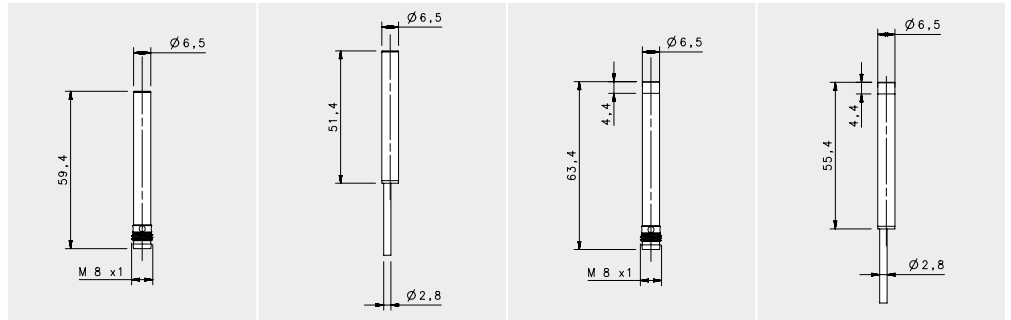




BASIC



BASIC M6.5

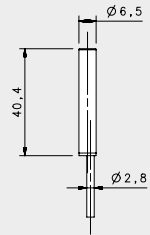
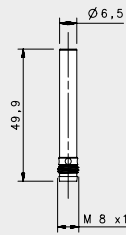


STANDARD

| | | | | FLUSH | | NON FLUSH | |
|----------------------------|-------------------|----------|-----------|--------------------------|--------------------------|--------------------------|--------------------------|
| | | | | M8 conn | cable | M8 conn | cable |
| NOMINAL SWITCHING DISTANCE | | | | 1,5 mm | 1,5 mm | 2 mm | 2 mm |
| 10-30 Vdc | PNP/NPN NO-NC | 4 wires | order No. | --- | --- | --- | --- |
| 10-30 Vdc | PNP NO | 3 wires | order No. | IS-65-A1-S1 95B066050 | IS-65-A1-03 95B064730 | IS-65-C1-S1 95B066210 | IS-65-C1-03 95B064890 |
| 10-30 Vdc | PNP NC | 3 wires | order No. | IS-65-A2-S1 95B066090 | IS-65-A2-03 95B064770 | IS-65-C2-S1 95B066250 | IS-65-C2-03 95B066300 |
| 10-30 Vdc | NPN NO | 3 wires | order No. | IS-65-A3-S1 95B064970 | IS-65-A3-03 95B064650 | IS-65-C3-S1 95B066130 | IS-65-C3-03 95B064810 |
| 10-30 Vdc | NPN NC | 3 wires | order No. | IS-65-A4-S1 95B066010 | IS-65-A4-03 95B064690 | IS-65-C4-S1 95B066170 | IS-65-C4-03 95B064850 |
| 10-30 Vdc | PNP NO-NC | 4 wires | order No. | --- | --- | --- | --- |
| 10-30 Vdc | NPN NO-NC | 4 wires | order No. | --- | --- | --- | --- |
| 10-30 Vdc | NO-NC | 2 wires | order No. | --- | --- | --- | --- |
| 20-250 Vac/Vdc | NO | 2 wires | order No. | --- | --- | --- | --- |
| 20-250 Vac/Vdc | NC | 2 wires | order No. | --- | --- | --- | --- |
| 20-250 Vac | NO | 2/3wires | order No. | --- | --- | --- | --- |
| 10-30 Vdc | Analog 0-20 mA | 3 wires | order No. | --- | --- | --- | --- |
| NAMUR amplifier | NAMUR | 2 wires | order No. | --- | --- | --- | --- |

| | | | | |
|---------------------------|--|--|--|--|
| Nominal Voltage | 10-30 Vdc (-15/10%) | 10-30 Vdc (-15/10%) | 10-30 Vdc (-15/10%) | 10-30 Vdc (-15/10%) |
| Residual Ripple | < 10% | < 10% | < 10% | < 10% |
| Hysteresis | < 10% | < 10% | < 10% | < 10% |
| Max. Output Current | 200 mm | 200 mA | 200 mm | 200 mA |
| Min. Output Current | --- | --- | --- | --- |
| Residual Current | < 1,6 mA | < 1,6 mA | < 1,6 mA | < 1,6 mA |
| Voltage Drop | < 1,2 V (I=100 mA) | < 1,2 V (I=100 mA) | < 1,2 V (I=100 mA) | < 1,2 V (I=100 mA) |
| Operation Led | Yellow | Yellow | Yellow | Yellow |
| Switching Frequency | 1000 Hz | 1000 Hz | 1000 Hz | 1000 Hz |
| Start Up Delay | < 50 ms | < 50 ms | < 50 ms | < 50 ms |
| Repeatability | < 3% | < 3% | < 3% | < 3% |
| Short Circuit Protection | Present (self-resetting) | Present (self-resetting) | Present (self-resetting) | Present (self-resetting) |
| Electric Protection | Against polarity reversal inductive loads | Against polarity reversal inductive loads | Against polarity reversal inductive loads | Against polarity reversal inductive loads |
| Temperature Limit | (-25 ... +70 °C) | (-25 ... +70 °C) | (-25 ... +70 °C) | (-25 ... +70 °C) |
| Protection Degree | IP67 | IP67 | IP67 | IP67 |
| Cable Length | --- | 2 m | --- | 2 m |
| Cable Section | --- | 3x 0,14 mm ² | --- | 3x 0,14 mm ² |
| Housing Material | Nickel-plated brass | Nickel-plated brass | Nickel-plated brass | Nickel-plated brass |
| Active Face | LCP | LCP | LCP | LCP |
| Tightening torque | --- | --- | --- | --- |
| Weight - Cable Output | --- | 80 g | --- | 80 g |
| Weight - Connector Output | 40 g | --- | 40 g | --- |

BASIC M6.5



SHORT X2

FLUSH

M8 conn

cable

2 mm

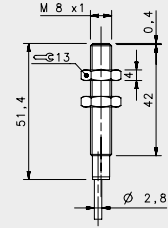
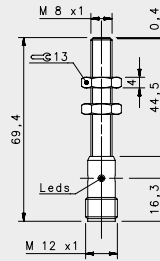
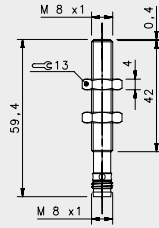
2 mm

NOMINAL SWITCHING DISTANCE

| | | | | M8 conn | cable |
|-----------------|-------------------|----------|-----------|--------------------------|--------------------------|
| | | | | 2 mm | 2 mm |
| 10-30 Vdc | PNP/NPN NO-NC | 4 wires | order No. | --- | --- |
| 10-30 Vdc | PNP NO | 3 wires | order No. | IS-65-G1-S1 95B066060 | IS-65-G1-03 95B064740 |
| 10-30 Vdc | PNP NC | 3 wires | order No. | IS-65-G2-S1 95B066100 | IS-65-G2-03 95B064780 |
| 10-30 Vdc | NPN NO | 3 wires | order No. | IS-65-G3-S1 95B064980 | IS-65-G3-03 95B064660 |
| 10-30 Vdc | NPN NC | 3 wires | order No. | IS-65-G4-S1 95B066020 | IS-65-G4-03 95B064700 |
| 10-30 Vdc | PNP NO-NC | 4 wires | order No. | --- | --- |
| 10-30 Vdc | NPN NO-NC | 4 wires | order No. | --- | --- |
| 10-30 Vdc | NO-NC | 2 wires | order No. | --- | --- |
| 20-250 Vac/Vdc | NO | 2 wires | order No. | --- | --- |
| 20-250 Vac/Vdc | NC | 2 wires | order No. | --- | --- |
| 20-250 Vac | NO | 2/3wires | order No. | --- | --- |
| 10-30 Vdc | Analog 0-20 mA | 3 wires | order No. | --- | --- |
| NAMUR amplifier | NAMUR | 2 wires | order No. | --- | --- |

| | 10-30 Vdc (-15/10%) | 10-30 Vdc (-15/10%) |
|---------------------------|--|--|
| Nominal Voltage | 10-30 Vdc (-15/10%) | 10-30 Vdc (-15/10%) |
| Residual Ripple | < 10% | < 10% |
| Hysteresis | < 10% | < 10% |
| Max. Output Current | 200 mA | 200 mA |
| Min. Output Current | --- | --- |
| Residual Current | < 10 mA | < 10 mA |
| Voltage Drop | < 1,2 V (I=100mA) | < 1,2 V (I=100mA) |
| Operation Led | Yellow | Yellow |
| Switching Frequency | 500 Hz | 500 Hz |
| Start Up Delay | < 75 ms | < 75 ms |
| Repeatability | < 3% | < 3% |
| Short Circuit Protection | Present (self-resetting) | Present (self-resetting) |
| Electric Protection | Against polarity reversal inductive loads | Against polarity reversal inductive loads |
| Temperature Limit | (-25 ... +70 °C) | (-25 ... +70 °C) |
| Protection Degree | IP67 | IP67 |
| Cable Length | --- | 2 m |
| Cable Section | --- | 3 x 0,14 mm ² |
| Housing Material | Nickel-plated brass | Nickel-plated brass |
| Active face | LCP | LCP |
| Tightening torque | --- | --- |
| Weight - Cable Output | --- | 80 g |
| Weight - Connector Output | 40 g | --- |

BASIC M8



STANDARD

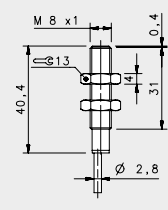
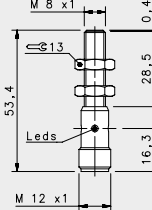
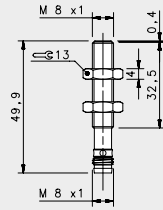
FLUSH

NOMINAL SWITCHING DISTANCE

| | | | | M8 conn | M12 conn | cable |
|-----------------|-------------------|-----------|-----------|--------------------------|--------------------------|--------------------------|
| | | | | 1,5 mm | 1,5 mm | 1,5 mm |
| 10-30 Vdc | PNP/NPN NO-NC | 4 wires | order No. | --- | --- | --- |
| 10-30 Vdc | PNP NO | 3 wires | order No. | IS-08-A1-S1 95B061141 | IS-08-A1-S2 95B061131 | IS-08-A1-03 95B061121 |
| 10-30 Vdc | PNP NC | 3 wires | order No. | IS-08-A2-S1 95B061171 | IS-08-A2-S2 95B061161 | IS-08-A2-03 95B061151 |
| 10-30 Vdc | NPN NO | 3 wires | order No. | IS-08-A3-S1 95B061081 | IS-08-A3-S2 95B061071 | IS-08-A3-03 95B061061 |
| 10-30 Vdc | NPN NC | 3 wires | order No. | IS-08-A4-S1 95B061111 | IS-08-A4-S2 95B061101 | IS-08-A4-03 95B061091 |
| 10-30 Vdc | PNP NO-NC | 4 wires | order No. | --- | --- | --- |
| 10-30 Vdc | NPN NO-NC | 4 wires | order No. | --- | --- | --- |
| 10-30 Vdc | NO-NC | 2 wires | order No. | --- | --- | --- |
| 20-250 Vac/Vdc | NO | 2 wires | order No. | --- | --- | --- |
| 20-250 Vac/Vdc | NC | 2 wires | order No. | --- | --- | --- |
| 20-250 Vac | NO | 2/3 wires | order No. | --- | --- | --- |
| 10-30 Vdc | Analog 0-20 mA | 3 wires | order No. | --- | --- | --- |
| NAMUR amplifier | NAMUR | 2 wires | order No. | --- | --- | --- |

| | 10-30 Vdc (-15/10%) | 10-30 Vdc (-15/10%) | 10-30 Vdc (-15/10%) |
|---------------------------|--|--|--|
| Nominal Voltage | 10-30 Vdc (-15/10%) | 10-30 Vdc (-15/10%) | 10-30 Vdc (-15/10%) |
| Residual Ripple | < 10% | < 10% | < 10% |
| Hysteresis | < 10% | < 10% | < 10% |
| Max. Output Current | 200mA | 200mA | 200mA |
| Min. Output Current | --- | --- | --- |
| Residual Current | < 10 mA | < 10 mA | < 10 mA |
| Voltage Drop | < 1,2 V (I=100mA) | < 1,2 V (I=100mA) | < 1,2 V (I=100mA) |
| Operation Led | Yellow | Yellow | Yellow |
| Switching Frequency | 1000 Hz | 1000 Hz | 1000 Hz |
| Start Up Delay | < 50 ms | < 50 ms | < 50 ms |
| Repeatability | < 3% | < 3% | < 3% |
| Short Circuit Protection | Present (self-resetting) | Present (self-resetting) | Present (self-resetting) |
| Electric Protection | Against polarity reversal inductive loads | Against polarity reversal inductive loads | Against polarity reversal inductive loads |
| Temperature Limit | (-25 ... +70 °C) | (-25 ... +70 °C) | (-25 ... +70 °C) |
| Protection Degree | IP67 | IP67 | IP67 |
| Cable Length | --- | --- | 2 m |
| Cable Section | --- | --- | 3x 0,14 mm ² |
| Housing Material | Nickel-plated brass | Nickel-plated brass | Nickel-plated brass |
| Active face | LCP | LCP | LCP |
| Tightening torque | 4Nm | 4Nm | 4Nm |
| Weight - Cable Output | --- | --- | 80 g |
| Weight - Connector Output | 35g | 55g | --- |

BASIC M8



SHORT

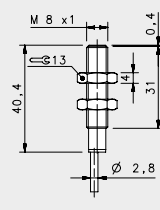
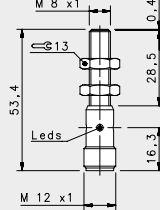
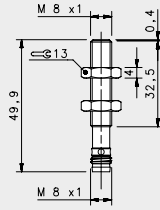
FLUSH

NOMINAL SWITCHING DISTANCE

| | | | | M8 conn | M12 conn | cable |
|-----------------|-------------------|-----------|-----------|--------------------------|--------------------------|--------------------------|
| | | | | 1,5 mm | 1,5 mm | 1,5 mm |
| 10-30 Vdc | PNP/NPN NO-NC | 4 wires | order No. | --- | --- | --- |
| 10-30 Vdc | PNP NO | 3 wires | order No. | IS-08-B1-S1 95B066860 | IS-08-B1-S2 95B066590 | IS-08-B1-03 95B061921 |
| 10-30 Vdc | PNP NC | 3 wires | order No. | IS-08-B2-S1 95B066890 | IS-08-B2-S2 95B066620 | IS-08-B2-03 95B061951 |
| 10-30 Vdc | NPN NO | 3 wires | order No. | IS-08-B3-S1 95B066810 | IS-08-B3-S2 95B066530 | IS-08-B3-03 95B061861 |
| 10-30 Vdc | NPN NC | 3 wires | order No. | IS-08-B4-S1 95B066830 | IS-08-B4-S2 95B066560 | IS-08-B4-03 95B061891 |
| 10-30 Vdc | PNP NO-NC | 4 wires | order No. | --- | --- | --- |
| 10-30 Vdc | NPN NO-NC | 4 wires | order No. | --- | --- | --- |
| 10-30 Vdc | NO-NC | 2 wires | order No. | --- | --- | --- |
| 20-250 Vac/Vdc | NO | 2 wires | order No. | --- | --- | --- |
| 20-250 Vac/Vdc | NC | 2 wires | order No. | --- | --- | --- |
| 20-250 Vac | NO | 2/3 wires | order No. | --- | --- | --- |
| 10-30 Vdc | Analog 0-20 mA | 3 wires | order No. | --- | --- | --- |
| NAMUR amplifier | NAMUR | 2 wires | order No. | --- | --- | --- |

| | 10-30 Vdc (-15/10%) | 10-30 Vdc (-15/10%) | 10-30 Vdc (-15/10%) |
|---------------------------|--|--|--|
| Nominal Voltage | 10-30 Vdc (-15/10%) | 10-30 Vdc (-15/10%) | 10-30 Vdc (-15/10%) |
| Residual Ripple | < 10% | < 10% | < 10% |
| Hysteresis | < 10% | < 10% | < 10% |
| Max. Output Current | 200mA | 200mA | 200mA |
| Min. Output Current | --- | --- | --- |
| Residual Current | < 10 mA | < 10 mA | < 10 mA |
| Voltage Drop | < 1,2 V (I=100mA) | < 1,2 V (I=100mA) | < 1,2 V (I=100mA) |
| Operation Led | Yellow | Yellow | Yellow |
| Switching Frequency | 1000 Hz | 1000 Hz | 1000 Hz |
| Start Up Delay | < 50 ms | < 50 ms | < 50 ms |
| Repeatability | < 3% | < 3% | < 3% |
| Short Circuit Protection | Present (self-resetting) | Present (self-resetting) | Present (self-resetting) |
| Electric Protection | Against polarity reversal inductive loads | Against polarity reversal inductive loads | Against polarity reversal inductive loads |
| Temperature Limit | (-25 ... +70 °C) | (-25 ... +70 °C) | (-25 ... +70 °C) |
| Protection Degree | IP67 | IP67 | IP67 |
| Cable Length | --- | --- | 2 m |
| Cable Section | --- | --- | 3 x 0,14 mm ² |
| Housing Material | Nickel-plated brass | Nickel-plated brass | Nickel-plated brass |
| Active face | LCP | LCP | LCP |
| Tightening torque | 4Nm | 4Nm | 4Nm |
| Weight - Cable Output | --- | --- | 80 g |
| Weight - Connector Output | 35g | 55g | --- |

BASIC M8



SHORT X2

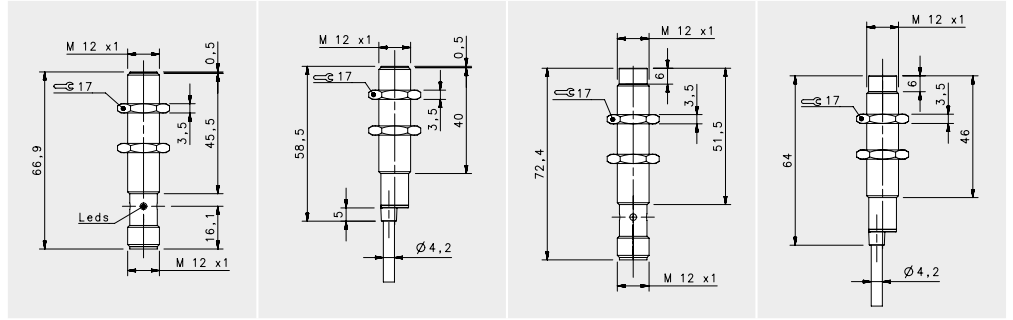
FLUSH

NOMINAL SWITCHING DISTANCE

| | | | | M8 conn | M12 conn | cable |
|-----------------|-------------------|-----------|-----------|--------------------------|--------------------------|--------------------------|
| | | | | 2 mm | 2 mm | 2 mm |
| 10-30 Vdc | PNP/NPN NO-NC | 4 wires | order No. | --- | --- | --- |
| 10-30 Vdc | PNP NO | 3 wires | order No. | IS-08-G1-S1 95B066850 | IS-08-G1-S2 95B066580 | IS-08-G1-O3 95B066370 |
| 10-30 Vdc | PNP NC | 3 wires | order No. | IS-08-G2-S1 95B066880 | IS-08-G2-S2 95B066610 | IS-08-G2-O3 95B066390 |
| 10-30 Vdc | NPN NO | 3 wires | order No. | IS-08-G3-S1 95B066800 | IS-08-G3-S2 95B066520 | IS-08-G3-O3 95B066330 |
| 10-30 Vdc | NPN NC | 3 wires | order No. | IS-08-G4-S1 95B063131 | IS-08-G4-S2 95B066550 | IS-08-G4-O3 95B066350 |
| 10-30 Vdc | PNP NO-NC | 4 wires | order No. | --- | --- | --- |
| 10-30 Vdc | NPN NO-NC | 4 wires | order No. | --- | --- | --- |
| 10-30 Vdc | NO-NC | 2 wires | order No. | --- | --- | --- |
| 20-250 Vac/Vdc | NO | 2 wires | order No. | --- | --- | --- |
| 20-250 Vac/Vdc | NC | 2 wires | order No. | --- | --- | --- |
| 20-250 Vac | NO | 2/3 wires | order No. | --- | --- | --- |
| 10-30 Vdc | Analog 0-20 mA | 3 wires | order No. | --- | --- | --- |
| NAMUR amplifier | NAMUR | 2 wires | order No. | --- | --- | --- |

| | 10-30 Vdc (-15/10%) | 10-30 Vdc (-15/10%) | 10-30 Vdc (-15/10%) |
|---------------------------|--|--|--|
| Nominal Voltage | 10-30 Vdc (-15/10%) | 10-30 Vdc (-15/10%) | 10-30 Vdc (-15/10%) |
| Residual Ripple | < 10% | < 10% | < 10% |
| Hysteresis | < 10% | < 10% | < 10% |
| Max. Output Current | 200mA | 200mA | 200mA |
| Min. Output Current | --- | --- | --- |
| Residual Current | < 10 mA | < 10 mA | < 10 mA |
| Voltage Drop | < 1,2 V (I=100mA) | < 1,2 V (I=100mA) | < 1,2 V (I=100mA) |
| Operation Led | Yellow | Yellow | Yellow |
| Switching Frequency | 500 Hz | 500 Hz | 500 Hz |
| Start Up Delay | < 75 ms | < 75 ms | < 75 ms |
| Repeatability | < 3% | < 3% | < 3% |
| Short Circuit Protection | Present (self-resetting) | Present (self-resetting) | Present (self-resetting) |
| Electric Protection | Against polarity reversal inductive loads | Against polarity reversal inductive loads | Against polarity reversal inductive loads |
| Temperature Limit | (-25 ... +60 °C) | (-25 ... +60 °C) | (-25 ... +70 °C) |
| Protection Degree | IP67 | IP67 | IP67 |
| Cable Length | --- | --- | 2 m |
| Cable Section | --- | --- | 3 x 0,14 mm ² |
| Housing Material | Nickel-plated brass | Nickel-plated brass | Nickel-plated brass |
| Active face | LCP | LCP | LCP |
| Tightening torque | 4Nm | 4Nm | 4Nm |
| Weight - Cable Output | --- | --- | 80 g |
| Weight - Connector Output | 35g | 55g | --- |

BASIC M12



STANDARD

FLUSH

NON FLUSH

M12 conn

cable

M12 conn

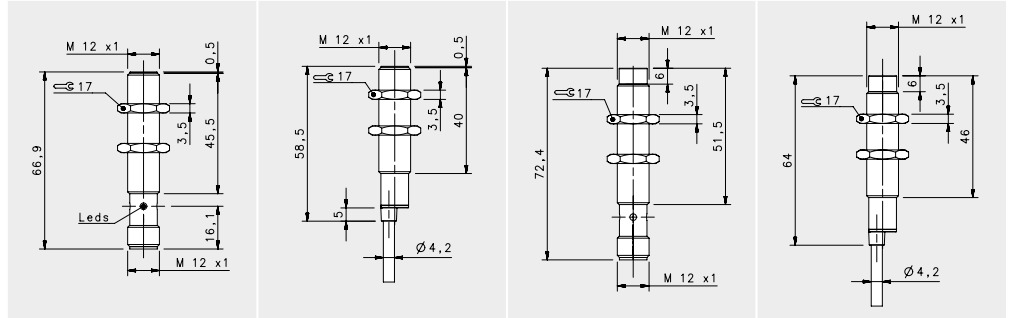
cable

NOMINAL SWITCHING DISTANCE

| | | | | 2 mm | 2 mm | 4 mm | 4 mm |
|-----------------|-------------------|----------|-----------|--------------------------|--------------------------|--------------------------|--------------------------|
| 10-30 Vdc | PNP/NPN NO-NC | 4 wires | order No. | IS-12-A0-S2 95B064060 | IS-12-A0-O3 95B064030 | IS-12-C0-S2 95B064080 | IS-12-C0-O3 95B064040 |
| 10-30 Vdc | PNP NO | 3 wires | order No. | IS-12-A1-S2 95B061251 | IS-12-A1-O3 95B061241 | IS-12-C1-S2 95B061651 | IS-12-C1-O3 95B061641 |
| 10-30 Vdc | PNP NC | 3 wires | order No. | IS-12-A2-S2 95B061281 | IS-12-A2-O3 95B061271 | IS-12-C2-S2 95B061681 | IS-12-C2-O3 95B061671 |
| 10-30 Vdc | NPN NO | 3 wires | order No. | IS-12-A3-S2 95B061191 | IS-12-A3-O3 95B061181 | IS-12-C3-S2 95B061591 | IS-12-C3-O3 95B061581 |
| 10-30 Vdc | NPN NC | 3 wires | order No. | IS-12-A4-S2 95B061221 | IS-12-A4-O3 95B061211 | IS-12-C4-S2 95B061621 | IS-12-C4-O3 95B061611 |
| 10-30 Vdc | PNP NO-NC | 4 wires | order No. | --- | --- | --- | --- |
| 10-30 Vdc | NPN NO-NC | 4 wires | order No. | --- | --- | --- | --- |
| 10-30 Vdc | NO-NC | 2 wires | order No. | IS-12-A9-S2 95B063931 | IS-12-A9-O3 95B064100 | IS-12-C9-S2 95B064140 | IS-12-C9-O3 95B064110 |
| 20-250 Vac/Vdc | NO | 2 wires | order No. | --- | --- | --- | --- |
| 20-250 Vac/Vdc | NC | 2 wires | order No. | --- | --- | --- | --- |
| 20-250 Vac | NO | 2/3wires | order No. | --- | --- | --- | --- |
| 10-30 Vdc | Analog 0-20 mA | 3 wires | order No. | --- | --- | --- | --- |
| NAMUR amplifier | NAMUR | 2 wires | order No. | --- | --- | --- | --- |

| | | | | |
|---------------------------|--|--|--|--|
| Nominal Voltage | 10-30 Vdc (-15/10%) | 10-30 Vdc (-15/10%) | 10-30 Vdc (-15/10%) | 10-30 Vdc (-15/10%) |
| Residual Ripple | < 10% | < 10% | < 10% | < 10% |
| Hysteresis | < 10% | < 10% | < 10% | < 10% |
| Max. Output Current | 200mA; 100 mA (2wires) | 200mA; 100 mA (2wires) | 200mA; 100 mA (2wires) | 200mA; 100 mA (2wires) |
| Min. Output Current | > 1,6 mA (2wires) | > 1,6 mA (2wires) | > 1,6 mA (2wires) | > 1,6 mA (2wires) |
| Residual Current | < 10mA; < 1,6 mA (2wires) | < 10mA; < 1,6 mA (2wires) | < 10mA; < 1,6 mA (2wires) | < 10mA; < 1,6 mA (2wires) |
| Voltage Drop | < 1,8V; < 6,5 V (2wires) | < 1,8V; < 6,5 V (2wires) | < 1,8V; < 6,5 V (2wires) | < 1,8V; < 6,5 V (2wires) |
| Operation Led | Yellow | Yellow | Yellow | Yellow |
| Switching Frequency | 1000 Hz/200 Hz (2 wires NO-NC) | 1000 Hz/200 Hz (2 wires NO-NC) | 1000 Hz/200 Hz (2 wires NO-NC) | 1000 Hz/200 Hz (2 wires NO-NC) |
| Start Up Delay | < 50 ms | < 50 ms | < 50 ms | < 50 ms |
| Repeatability | < 3% | < 3% | < 3% | < 3% |
| Short Circuit Protection | Present (self-resetting) | Present (self-resetting) | Present (self-resetting) | Present (self-resetting) |
| Electric Protection | Against polarity reversal inductive loads | Against polarity reversal inductive loads | Against polarity reversal inductive loads | Against polarity reversal inductive loads |
| Temperature Limit | (-25 ... +70 °C) | (-25 ... +70 °C) | (-25 ... +70 °C) | (-25 ... +70 °C) |
| Protection Degree | IP67 | IP67 | IP67 | IP67 |
| Cable Length | --- | 2 m | --- | 2 m |
| Cable Section | --- | 2 x 0,34 mm ² 3 x 0,14 mm ² 4 x 0,25 mm ² | --- | 2 x 0,34 mm ² 3 x 0,14 mm ² 4 x 0,25 mm ² |
| Housing Material | Nickel-plated brass | Nickel-plated brass | Nickel-plated brass | Nickel-plated brass |
| Active face | LCP | LCP | LCP | LCP |
| Tightening torque | 10Nm | 10Nm | 10Nm | 10Nm |
| Weight - Cable Output | --- | 110 g | --- | 110 g |
| Weight - Connector Output | 60 g | --- | 60 g | --- |

BASIC M12



STANDARD X2

FLUSH

NON FLUSH

M12 conn

cable

M12 conn

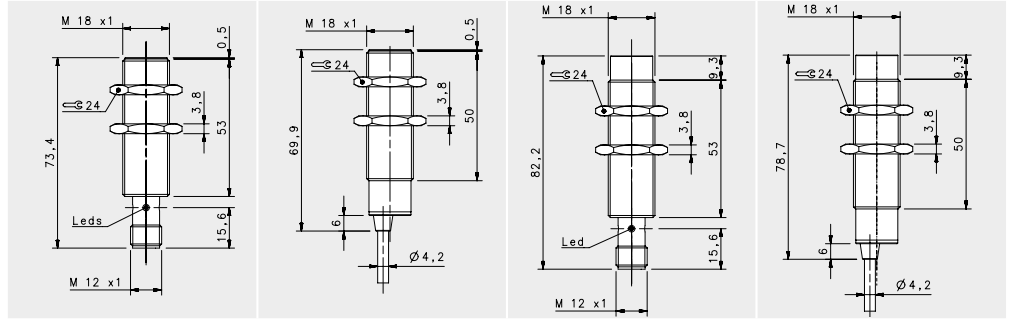
cable

NOMINAL SWITCHING DISTANCE

| | | | | 4 mm | | 8 mm | |
|-----------------|-------------------|----------|-----------|--------------------------|--------------------------|--------------------------|--------------------------|
| 10-30 Vdc | PNP/NPN NO-NC | 4 wires | order No. | IS-12-E0-S2 95B067230 | IS-12-E0-O3 95B067190 | IS-12-F0-S2 95B067250 | IS-12-F0-O3 95B067210 |
| 10-30 Vdc | PNP NO | 3 wires | order No. | IS-12-E1-S2 95B067030 | IS-12-E1-O3 95B067670 | IS-12-F1-S2 95B067020 | IS-12-F1-O3 95B067740 |
| 10-30 Vdc | PNP NC | 3 wires | order No. | IS-12-E2-S2 95B067640 | IS-12-E2-O3 95B067680 | IS-12-F2-S2 95B067710 | IS-12-F2-O3 95B067750 |
| 10-30 Vdc | NPN NO | 3 wires | order No. | IS-12-E3-S2 95B067650 | IS-12-E3-O3 95B067690 | IS-12-F3-S2 95B067720 | IS-12-F3-O3 95B067760 |
| 10-30 Vdc | NPN NC | 3 wires | order No. | IS-12-E4-S2 95B067660 | IS-12-E4-O3 95B067700 | IS-12-F4-S2 95B067730 | IS-12-F4-O3 95B067770 |
| 10-30 Vdc | PNP NO-NC | 4 wires | order No. | --- | --- | --- | --- |
| 10-30 Vdc | NPN NO-NC | 4 wires | order No. | --- | --- | --- | --- |
| 10-30 Vdc | NO-NC | 2 wires | order No. | IS-12-E9-S2 95B067240 | IS-12-E9-O3 95B067200 | IS-12-F9-S2 95B067260 | IS-12-F9-O3 95B067220 |
| 20-250 Vac/Vdc | NO | 2 wires | order No. | --- | --- | --- | --- |
| 20-250 Vac/Vdc | NC | 2 wires | order No. | --- | --- | --- | --- |
| 20-250 Vac | NO | 2/3wires | order No. | --- | --- | --- | --- |
| 10-30 Vdc | Analog 0-20 mA | 3 wires | order No. | --- | --- | --- | --- |
| NAMUR amplifier | NAMUR | 2 wires | order No. | --- | --- | --- | --- |

| | 10-30 Vdc (-15/10%) | 10-30 Vdc (-15/10%) | 10-30 Vdc (-15/10%) | 10-30 Vdc (-15/10%) |
|---------------------------|--|--|--|--|
| Nominal Voltage | 10-30 Vdc (-15/10%) | 10-30 Vdc (-15/10%) | 10-30 Vdc (-15/10%) | 10-30 Vdc (-15/10%) |
| Residual Ripple | < 10% | < 10% | < 10% | < 10% |
| Hysteresis | < 10% | < 10% | < 10% | < 10% |
| Max. Output Current | 100 mA | 100 mA | 100 mA | 100 mA |
| Min. Output Current | --- | --- | --- | --- |
| Residual Current | < 10 mA | < 10 mA | < 10 mA | < 10 mA |
| Voltage Drop | < 1,2 V (I=100mA) | < 1,2 V (I=100mA) | < 1,2 V (I=100mA) | < 1,2 V (I=100mA) |
| Operation Led | Yellow | Yellow | Yellow | Yellow |
| Switching Frequency | 500 Hz/200 Hz (2 wires NO-NC) | 500 Hz/200 Hz (2 wires NO-NC) | 400 Hz/200 Hz (2 wires NO-NC) | 400 Hz/200 Hz (2 wires NO-NC) |
| Start Up Delay | < 75 ms | < 75 ms | < 75 ms | < 75 ms |
| Repeatability | < 3% | < 3% | < 3% | < 3% |
| Short Circuit Protection | Present (self-resetting) | Present (self-resetting) | Present (self-resetting) | Present (self-resetting) |
| Electric Protection | Against polarity reversal inductive loads | Against polarity reversal inductive loads | Against polarity reversal inductive loads | Against polarity reversal inductive loads |
| Temperature Limit | (-25 ... +70 °C) | (-25 ... +70 °C) | (-25 ... +70 °C) | (-25 ... +70 °C) |
| Protection Degree | IP67 | IP67 | IP67 | IP67 |
| Cable Length | --- | --- | --- | --- |
| Cable Section | --- | 2 x 0,34 mm ² 3 x 0,14 mm ² 4 x 0,25 mm ² | --- | 2 x 0,34 mm ² 3 x 0,14 mm ² 4 x 0,25 mm ² |
| Housing Material | Nickel-plated brass | Nickel-plated brass | Nickel-plated brass | Nickel-plated brass |
| Active face | LCP | LCP | LCP | LCP |
| Tightening torque | 10Nm | 10Nm | 10Nm | 10Nm |
| Weight - Cable Output | --- | --- | --- | --- |
| Weight - Connector Output | 60 g | 60 g | 60 g | 60 g |

BASIC M18

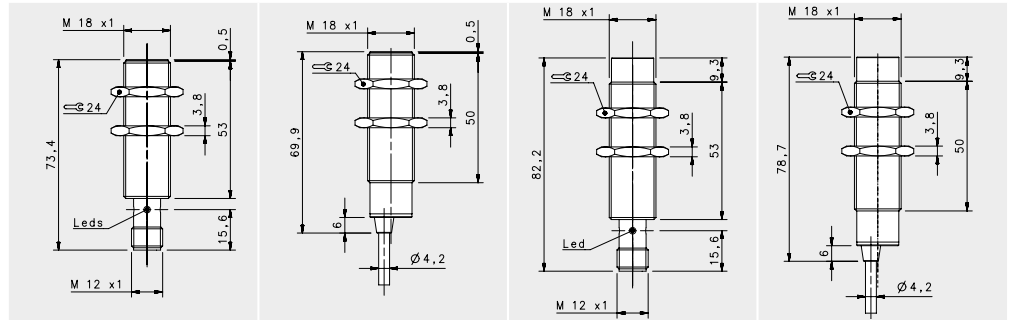


STANDARD

| | | | | FLUSH | | NON FLUSH | |
|-----------------------------------|-------------------|----------|-----------|--------------------------|--------------------------|--------------------------|--------------------------|
| | | | | M12 conn | cable | M12 conn | cable |
| | | | | 5 mm | 5 mm | 8 mm | 8 mm |
| NOMINAL SWITCHING DISTANCE | | | | | | | |
| 10-30 Vdc | PNP/NPN NO-NC | 4 wires | order No. | IS-18-A0-S2 95B064260 | IS-18-A0-03 95B064230 | IS-18-C0-S2 95B064280 | IS-18-C0-03 95B064240 |
| 10-30 Vdc | PNP NO | 3 wires | order No. | IS-18-A1-S2 95B061351 | IS-18-A1-03 95B061341 | IS-18-C1-S2 95B061751 | IS-18-C1-03 95B061741 |
| 10-30 Vdc | PNP NC | 3 wires | order No. | IS-18-A2-S2 95B061371 | IS-18-A2-03 95B061361 | IS-18-C2-S2 95B061771 | IS-18-C2-03 95B061761 |
| 10-30 Vdc | NPN NO | 3 wires | order No. | IS-18-A3-S2 95B061311 | IS-18-A3-03 95B061301 | IS-18-C3-S2 95B061711 | IS-18-C3-03 95B061701 |
| 10-30 Vdc | NPN NC | 3 wires | order No. | IS-18-A4-S2 95B061331 | IS-18-A4-03 95B061321 | IS-18-C4-S2 95B061731 | IS-18-C4-03 95B061721 |
| 10-30 Vdc | PNP NO-NC | 4 wires | order No. | --- | --- | --- | --- |
| 10-30 Vdc | NPN NO-NC | 4 wires | order No. | --- | --- | --- | --- |
| 10-30 Vdc | NO-NC | 2 wires | order No. | IS-18-A9-S2 95B063941 | S-18-A9-03 95B064300 | IS-18-C9-S2 95B064340 | IS-18-C9-03 95B064310 |
| 20-250 Vac/Vdc | NO | 2 wires | order No. | --- | --- | --- | --- |
| 20-250 Vac/Vdc | NC | 2 wires | order No. | --- | --- | --- | --- |
| 20-250 Vac | NO | 2/3wires | order No. | --- | --- | --- | --- |
| 10-30 Vdc | Analog 0-20 mA | 3 wires | order No. | --- | --- | --- | --- |
| NAMUR amplifier | NAMUR | 2 wires | order No. | --- | --- | --- | --- |

| | | | | |
|---------------------------|--|--|--|--|
| Nominal Voltage | 10-30 Vdc (-15/10%) | 10-30 Vdc (-15/10%) | 10-30 Vdc (-15/10%) | 10-30 Vdc (-15/10%) |
| Residual Ripple | < 10% | < 10% | < 10% | < 10% |
| Hysteresis | < 10% | < 10% | < 10% | < 10% |
| Max. Output Current | 200 mA | 200 mA | 200 mA | 200 mA |
| Min. Output Current | > 1,6 mA (2wires ver.) | > 1,6 mA (2wires ver.) | > 1,6 mA (2wires ver.) | > 1,6 mA (2wires ver.) |
| Residual Current | < 10 mA | < 10 mA | < 10 mA | < 10 mA |
| Voltage Drop | < 1,8V; < 6,5 V (2wires ver.) | < 1,8V; < 6,5 V (2wires ver.) | < 1,8V; < 6,5 V (2wires ver.) | < 1,8V; < 6,5 V (2wires ver.) |
| Operation Led | Yellow | Yellow | Yellow | Yellow |
| Switching Frequency | 1000 Hz/200 Hz (2 wires NO-NC) | 1000 Hz/200 Hz (2 wires NO-NC) | 1000 Hz/200 Hz (2 wires NO-NC) | 1000 Hz/200 Hz (2 wires NO-NC) |
| Start Up Delay | < 50 ms | < 50 ms | < 50 ms | < 50 ms |
| Repeatability | < 3% | < 3% | < 3% | < 3% |
| Short Circuit Protection | Present (self-resetting) | Present (self-resetting) | Present (self-resetting) | Present (self-resetting) |
| Electric Protection | Against polarity reversal inductive loads | Against polarity reversal inductive loads | Against polarity reversal inductive loads | Against polarity reversal inductive loads |
| Temperature Limit | (-25 ... +60 °C) | (-25 ... +60 °C) | (-25 ... +60 °C) | (-25 ... +60 °C) |
| Protection Degree | IP67 | IP67 | IP67 | IP67 |
| Cable Length | --- | 2 m | --- | 2 m |
| Cable Section | --- | 2 x 0,34 mm ² 3 x 0,14 mm ² 4 x 0,25 mm ² | --- | 2 x 0,34 mm ² 3 x 0,14 mm ² 4 x 0,25 mm ² |
| Housing Material | Nickel-plated brass | Nickel-plated brass | Nickel-plated brass | Nickel-plated brass |
| Active face | LCP | LCP | LCP | LCP |
| Tightening torque | 30Nm | 30Nm | 30Nm | 30Nm |
| Weight - Cable Output | --- | 145g | --- | 145g |
| Weight - Connector Output | 95g | --- | 95g | --- |

BASIC M18



STANDARD X2

FLUSH

NON FLUSH

M12 conn

cable

M12 conn

cable

NOMINAL SWITCHING DISTANCE

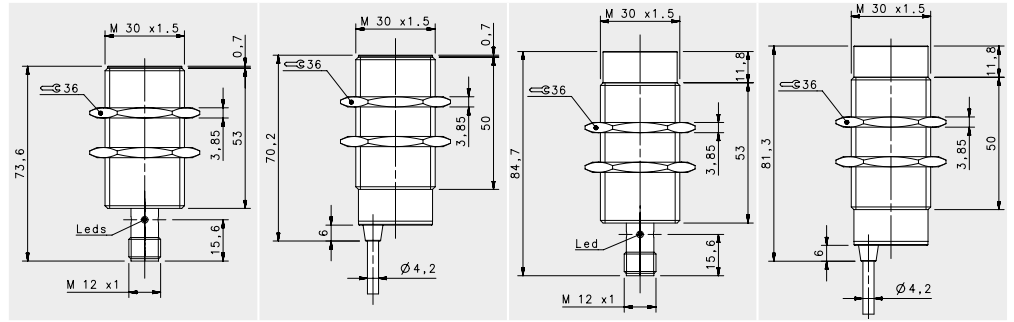
8 mm

14 mm

| 10-30 Vdc | PNP/NPN NO-NC | 4 wires | order No. | IS-18-E0-S2 95B067310 | IS-18-E0-03 95B067270 | IS-18-F0-S2 95B067330 | IS-18-F0-03 95B067290 |
|-----------------|-------------------|----------|-----------|--------------------------|--------------------------|--------------------------|--------------------------|
| 10-30 Vdc | PNP NO | 3 wires | order No. | IS-18-E1-S2 95B067050 | IS-18-E1-03 95B067810 | IS-18-F1-S2 95B067040 | IS-18-F1-03 95B067880 |
| 10-30 Vdc | PNP NC | 3 wires | order No. | IS-18-E2-S2 95B067780 | IS-18-E2-03 95B067820 | IS-18-F2-S2 95B067850 | IS-18-F2-03 95B067890 |
| 10-30 Vdc | NPN NO | 3 wires | order No. | IS-18-E3-S2 95B067790 | IS-18-E3-03 95B067830 | IS-18-F3-S2 95B067860 | IS-18-F3-03 95B067900 |
| 10-30 Vdc | NPN NC | 3 wires | order No. | IS-18-E4-S2 95B067800 | IS-18-E4-03 95B067840 | IS-18-F4-S2 95B067870 | IS-18-F4-03 95B067910 |
| 10-30 Vdc | PNP NO-NC | 4 wires | order No. | --- | --- | --- | --- |
| 10-30 Vdc | NPN NO-NC | 4 wires | order No. | --- | --- | --- | --- |
| 10-30 Vdc | NO-NC | 2 wires | order No. | IS-18-E9-S2 95B067320 | IS-18-E9-03 95B067280 | IS-18-F9-S2 95B067340 | IS-18-F9-03 95B067300 |
| 20-250 Vac/Vdc | NO | 2 wires | order No. | --- | --- | --- | --- |
| 20-250 Vac/Vdc | NC | 2 wires | order No. | --- | --- | --- | --- |
| 20-250 Vac | NO | 2/3wires | order No. | --- | --- | --- | --- |
| 10-30 Vdc | Analog 0-20 mA | 3 wires | order No. | --- | --- | --- | --- |
| NAMUR amplifier | NAMUR | 2 wires | order No. | --- | --- | --- | --- |

| | 10-30 Vdc (-15/10%) | 10-30 Vdc (-15/10%) | 10-30 Vdc (-15/10%) | 10-30 Vdc (-15/10%) |
|---------------------------|--|--|--|--|
| Nominal Voltage | 10-30 Vdc (-15/10%) | 10-30 Vdc (-15/10%) | 10-30 Vdc (-15/10%) | 10-30 Vdc (-15/10%) |
| Residual Ripple | < 10% | < 10% | < 10% | < 10% |
| Hysteresis | < 10% | < 10% | < 10% | < 10% |
| Max. Output Current | 200 mA | 200 mA | 200 mA | 200 mA |
| Min. Output Current | --- | --- | --- | --- |
| Residual Current | < 10 mA | < 10 mA | < 10 mA | < 10 mA |
| Voltage Drop | < 1,2 V (I=100mA) | < 1,2 V (I=100mA) | < 1,2 V (I=100mA) | < 1,2 V (I=100mA) |
| Operation Led | Yellow | Yellow | Yellow | Yellow |
| Switching Frequency | 400 Hz | 400 Hz | 100 Hz | 100 Hz |
| Start Up Delay | < 50 ms | < 50 ms | < 50 ms | < 50 ms |
| Repeatability | < 3% | < 3% | < 3% | < 3% |
| Short Circuit Protection | Present (self-resetting) | Present (self-resetting) | Present (self-resetting) | Present (self-resetting) |
| Electric Protection | Against polarity reversal inductive loads | Against polarity reversal inductive loads | Against polarity reversal inductive loads | Against polarity reversal inductive loads |
| Temperature Limit | (-25 ... +70 °C) | (-25 ... +70 °C) | (-25 ... +70 °C) | (-25 ... +70 °C) |
| Protection Degree | IP67 | IP67 | IP67 | IP67 |
| Cable Length | --- | --- | --- | --- |
| Cable Section | --- | 2 x 0,34 mm ² 3 x 0,14 mm ² 4 x 0,25 mm ² | --- | 2 x 0,34 mm ² 3 x 0,14 mm ² 4 x 0,25 mm ² |
| Housing Material | Nickel-plated brass | Nickel-plated brass | Nickel-plated brass | Nickel-plated brass |
| Active face | LCP | LCP | LCP | LCP |
| Tightening torque | 30Nm | 30Nm | 30Nm | 30Nm |
| Weight - Cable Output | --- | --- | 145g | 145g |
| Weight - Connector Output | 95g | 95g | --- | --- |

BASIC M30



STANDARD

FLUSH

NON FLUSH

M12 conn

cable

M12 conn

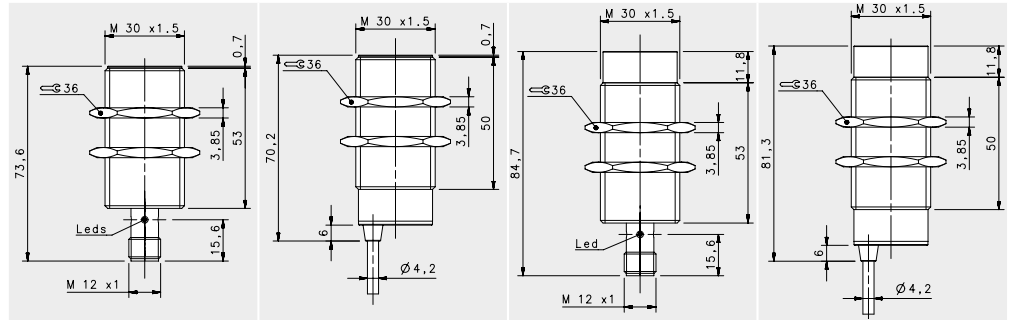
cable

NOMINAL SWITCHING DISTANCE

| | | | | 10 mm | 10 mm | 15 mm | 15 mm |
|-----------------|-------------------|----------|-----------|--------------------------|--------------------------|--------------------------|--------------------------|
| 10-30 Vdc | PNP/NPN NO-NC | 4 wires | order No. | IS-30-A0-S2 95B064490 | IS-30-A0-03 95B064460 | IS-30-C0-S2 95B064510 | IS-30-C0-03 95B064470 |
| 10-30 Vdc | PNP NO | 3 wires | order No. | IS-30-A1-S2 95B061431 | IS-30-A1-03 95B061421 | IS-30-C1-S2 95B061831 | IS-30-C1-03 95B061821 |
| 10-30 Vdc | PNP NC | 3 wires | order No. | IS-30-A2-S2 95B061451 | IS-30-A2-03 95B061441 | IS-30-C2-S2 95B061851 | IS-30-C2-03 95B061841 |
| 10-30 Vdc | NPN NO | 3 wires | order No. | IS-30-A3-S2 95B061391 | IS-30-A3-03 95B061381 | IS-30-C3-S2 95B061791 | IS-30-C3-03 95B061781 |
| 10-30 Vdc | NPN NC | 3 wires | order No. | IS-30-A4-S2 95B061411 | IS-30-A4-03 95B061401 | IS-30-C4-S2 95B061811 | IS-30-C4-03 95B061801 |
| 10-30 Vdc | PNP NO-NC | 4 wires | order No. | --- | --- | --- | --- |
| 10-30 Vdc | NPN NO-NC | 4 wires | order No. | --- | --- | --- | --- |
| 10-30 Vdc | NO-NC | 2 wires | order No. | IS-30-A9-S2 95B064570 | IS-30-A9-03 95B064530 | IS-30-C9-S2 95B064590 | IS-30-C9-03 95B064550 |
| 20-250 Vac/Vdc | NO | 2 wires | order No. | --- | --- | --- | --- |
| 20-250 Vac/Vdc | NC | 2 wires | order No. | --- | --- | --- | --- |
| 20-250 Vac | NO | 2/3wires | order No. | --- | --- | --- | --- |
| 10-30 Vdc | Analog 0-20 mA | 3 wires | order No. | --- | --- | --- | --- |
| NAMUR amplifier | NAMUR | 2 wires | order No. | --- | --- | --- | --- |

| | | | | |
|---------------------------|--|--|--|--|
| Nominal Voltage | 10-30 Vdc (-15/10%) | 10-30 Vdc (-15/10%) | 10-30 Vdc (-15/10%) | 10-30 Vdc (-15/10%) |
| Residual Ripple | < 10% | < 10% | < 10% | < 10% |
| Hysteresis | < 10% | < 10% | < 10% | < 10% |
| Max. Output Current | 200mA; 100 mA (2wires) | 200mA; 100 mA (2wires) | 200mA; 100 mA (2wires) | 200mA; 100 mA (2wires) |
| Min. Output Current | > 1,6 mA (2wires) | > 1,6 mA (2wires) | > 1,6 mA (2wires) | > 1,6 mA (2wires) |
| Residual Current | < 1,6 mA | < 1,6 mA | < 1,6 mA | < 1,6 mA |
| Voltage Drop | < 1,8V; < 6,5 V (2wires) | < 1,8V; < 6,5 V (2wires) | < 1,8V; < 6,5 V (2wires) | < 1,8V; < 6,5 V (2wires) |
| Operation Led | Yellow | Yellow | Yellow | Yellow |
| Switching Frequency | 300 Hz/250 Hz (2 wires NO-NC) | 300 Hz/250 Hz (2 wires NO-NC) | 300 Hz/250 Hz (2 wires NO-NC) | 300 Hz/250 Hz (2 wires NO-NC) |
| Start Up Delay | < 50 ms | < 50 ms | < 50 ms | < 50 ms |
| Repeatability | < 3% | < 3% | < 3% | < 3% |
| Short Circuit Protection | Present (self-resetting) | Present (self-resetting) | Present (self-resetting) | Present (self-resetting) |
| Electric Protection | Against polarity reversal inductive loads | Against polarity reversal inductive loads | Against polarity reversal inductive loads | Against polarity reversal inductive loads |
| Temperature Limit | (-25 ... +70 °C) | (-25 ... +70 °C) | (-25 ... +70 °C) | (-25 ... +70 °C) |
| Protection Degree | IP67 | IP67 | IP67 | IP67 |
| Cable Length | --- | 2 m | --- | 2 m |
| Cable Section | --- | 2 x 0,34 mm ² 3 x 0,14 mm ² 4 x 0,25 mm ² | --- | 2 x 0,34 mm ² 3 x 0,14 mm ² 4 x 0,25 mm ² |
| Housing Material | Nickel-plated brass | Nickel-plated brass | Nickel-plated brass | Nickel-plated brass |
| Active face | LCP | LCP | LCP | LCP |
| Tightening torque | 60Nm | 60Nm | 60Nm | 60Nm |
| Weight - Cable Output | --- | 210 g | --- | 210 g |
| Weight - Connector Output | 170 g | --- | 170 g | --- |

BASIC M30



STANDARD X2

FLUSH

NON-FLUSH

M12 conn

cable

M12 conn

cable

NOMINAL SWITCHING DISTANCE

| | | | | 15mm | 15mm | 20 mm | 20 mm |
|-----------------|-------------------|----------|-----------|--------------------------|--------------------------|--------------------------|--------------------------|
| 10-30 Vdc | PNP/NPN NO-NC | 4 wires | order No. | IS-30-E0-S2 95B067390 | IS-30-E0-03 95B067350 | IS-30-F0-S2 95B067410 | IS-30-F0-03 95B067370 |
| 10-30 Vdc | PNP NO | 3 wires | order No. | IS-30-E1-S2 95B067060 | IS-30-E1-03 95B067950 | IS-30-F1-S2 95B067990 | IS-30-F1-03 95B068030 |
| 10-30 Vdc | PNP NC | 3 wires | order No. | IS-30-E2-S2 95B067920 | IS-30-E2-03 95B067960 | IS-30-F2-S2 95B068000 | IS-30-F2-03 95B068040 |
| 10-30 Vdc | NPN NO | 3 wires | order No. | IS-30-E3-S2 95B067930 | IS-30-E3-03 95B067970 | IS-30-F3-S2 95B068010 | IS-30-F3-03 95B068050 |
| 10-30 Vdc | NPN NC | 3 wires | order No. | IS-30-E4-S2 95B067940 | IS-30-E4-03 95B067980 | IS-30-F4-S2 95B068020 | IS-30-F4-03 95B068060 |
| 10-30 Vdc | PNP NO-NC | 4 wires | order No. | --- | --- | --- | --- |
| 10-30 Vdc | NPN NO-NC | 4 wires | order No. | --- | --- | --- | --- |
| 10-30 Vdc | NO-NC | 2 wires | order No. | IS-30-E9-S2 95B067400 | IS-30-E9-03 95B067360 | IS-30-F9-S2 95B067420 | IS-30-F9-03 95B067380 |
| 20-250 Vac/Vdc | NO | 2 wires | order No. | --- | --- | --- | --- |
| 20-250 Vac/Vdc | NC | 2 wires | order No. | --- | --- | --- | --- |
| 20-250 Vac | NO | 2/3wires | order No. | --- | --- | --- | --- |
| 10-30 Vdc | Analog 0-20 mA | 3 wires | order No. | --- | --- | --- | --- |
| NAMUR amplifier | NAMUR | 2 wires | order No. | --- | --- | --- | --- |

| | 10-30 Vdc (-15/10%) | 10-30 Vdc (-15/10%) | 10-30 Vdc (-15/10%) | 10-30 Vdc (-15/10%) |
|---------------------------|--|--|--|--|
| Nominal Voltage | 10-30 Vdc (-15/10%) | 10-30 Vdc (-15/10%) | 10-30 Vdc (-15/10%) | 10-30 Vdc (-15/10%) |
| Residual Ripple | < 10% | < 10% | < 10% | < 10% |
| Hysteresis | < 10% | < 10% | < 10% | < 10% |
| Max. Output Current | 200 mA | 200 mA | 200 mA | 200 mA |
| Min. Output Current | --- | --- | --- | --- |
| Residual Current | < 10 mA | < 10 mA | < 10 mA | < 10 mA |
| Voltage Drop | < 6,5 V (I=100mA) | < 6,5 V (I=100mA) | < 6,5 V (I=100mA) | < 6,5 V (I=100mA) |
| Operation Led | Yellow | Yellow | Yellow | Yellow |
| Switching Frequency | 200 Hz/100 Hz (2 wires NO-NC) | 200 Hz/100 Hz (2 wires NO-NC) | 200 Hz/100 Hz (2 wires NO-NC) | 200 Hz/100 Hz (2 wires NO-NC) |
| Start Up Delay | < 75 ms | < 75 ms | < 75 ms | < 75 ms |
| Repeatability | < 3% | < 3% | < 3% | < 3% |
| Short Circuit Protection | Present (self-resetting) | Present (self-resetting) | Present (self-resetting) | Present (self-resetting) |
| Electric Protection | Against polarity reversal inductive loads | Against polarity reversal inductive loads | Against polarity reversal inductive loads | Against polarity reversal inductive loads |
| Temperature Limit | (-25 ... +70 °C) | (-25 ... +70 °C) | (-25 ... +70 °C) | (-25 ... +70 °C) |
| Protection Degree | IP67 | IP67 | IP67 | IP67 |
| Cable Length | --- | --- | --- | --- |
| Cable Section | --- | 2 x 0,34 mm ² 3 x 0,14 mm ² 4 x 0,25 mm ² | --- | 2 x 0,34 mm ² 3 x 0,14 mm ² 4 x 0,25 mm ² |
| Housing Material | Nickel-plated brass | Nickel-plated brass | Nickel-plated brass | Nickel-plated brass |
| Active face | LCP | LCP | LCP | LCP |
| Tightening torque | 60Nm | 60Nm | 60Nm | 60Nm |
| Weight - Cable Output | --- | --- | --- | --- |
| Weight - Connector Output | 170 g | 170 g | 170 g | 170 g |

STAINLESS STEEL

Stainless Steel housing

M4, M5 POM active face - M6,5, M8, M12, M18, M30 LCP active face

Standard length

Short length

Normal and double range operating distance

Operating distance 0.8 ... 20 mm

M4, M5, M6,5, M8, M12, M18, M30

Cable, M8 or M12 connector

3 wires

PNP, NPN, NO, NC

IP69K protection

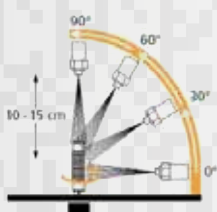
REDUCTION FACTOR

| | ALUMINUM (25° C) | STAINLESS STEEL AISI316L | COPPER | BRASS |
|-----------|------------------|-----------------------------|-----------|-----------|
| FLUSH | 0,3...0,5 | 0,7...0,9 | 0,2...0,5 | 0,4...0,6 |
| NON-FLUSH | 0,4...0,6 | 0,7...1,05 | 0,4...0,5 | 0,5...0,7 |

"M12/18/30 models are Diversey and ECOLAB tested"



*Excluded M4 and M5 models



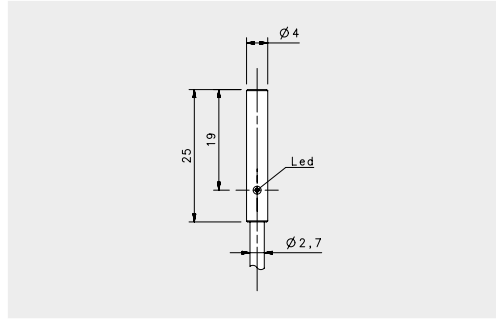
IP69K

Each Stainless Steel model is IP69K tested
M12/18/30 models are IP69K certified



STAINLESS STEEL

STAINLESS STEEL M4



STANDARD

FLUSH

cable

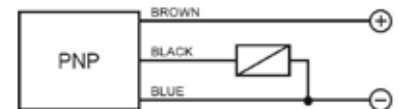
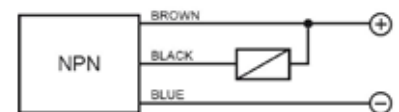
NOMINAL SWITCHING DISTANCE

0,8 mm

| 10-30 Vdc | PNP/NPN NO-NC | 4 wires | order No. | --- |
|-----------------|-------------------|----------|-----------|--------------------------|
| 10-30 Vdc | PNP NO | 3 wires | order No. | IS-04-A1-03 95B061011 |
| 10-30 Vdc | PNP NC | 3 wires | order No. | --- |
| 10-30 Vdc | NPN NO | 3 wires | order No. | IS-04-A3-03 95B061001 |
| 10-30 Vdc | NPN NC | 3 wires | order No. | --- |
| 10-30 Vdc | PNP NO-NC | 4 wires | order No. | --- |
| 10-30 Vdc | NPN NO-NC | 4 wires | order No. | --- |
| 10-30 Vdc | NO-NC | 2 wires | order No. | --- |
| 20-250 Vac/Vdc | NO | 2 wires | order No. | --- |
| 20-250 Vac/Vdc | NC | 2 wires | order No. | --- |
| 20-250 Vac | NO | 2/3wires | order No. | --- |
| 10-30 Vdc | Analog 0-20 mA | 3 wires | order No. | --- |
| NAMUR amplifier | NAMUR | 2 wires | order No. | --- |

| | |
|---------------------------|--|
| Nominal Voltage | 10-30 Vdc (-15/10%) |
| Residual Ripple | < 10% |
| Hysteresis | < 15% |
| Max. Output Current | 100 mA |
| Min. Output Current | --- |
| Residual Current | < 0,01 mA |
| Voltage Drop | < 1,5 V |
| Operation Led | Yellow |
| Switching Frequency | 2000 Hz |
| Start Up Delay | --- |
| Repeatability | < 1% |
| Short Circuit Protection | Present (self-resetting) |
| Electric Protection | Against polarity reversal inductive loads |
| Temperature Limit | (-25 ... +70 °C) |
| Protection Degree | IP69K |
| Cable Length | 2 m (PUR) |
| Cable Section | 3x 0,15 mm ² |
| Housing Material | Stainless-Steel |
| Active face | POM |
| Tightening torque | --- |
| Weight - Cable Output | 50 g |
| Weight - Connector Output | --- |

3 wires PNP or NPN



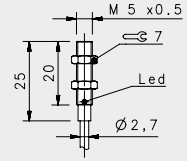
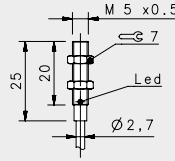
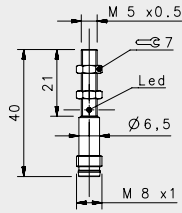
M8 3 pole



CONTACTS CONFIGURATION

| Available | Contacts numbers | | |
|-----------|------------------|---|-------|
| | 1 | 3 | 4 |
| NPN/PNP | + | - | NO/NC |

STAINLESS STEEL M5



STANDARD

FLUSH

STANDARD X2

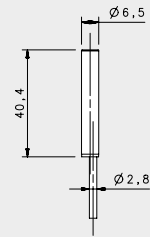
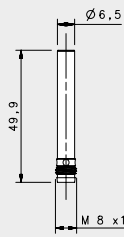
FLUSH

NOMINAL SWITCHING DISTANCE

| | | | | M8 conn | cable | cable |
|-----------------|-------------------|-----------|-----------|--------------------------|--------------------------|--------------------------|
| | | | | 0,8 mm | 0,8 mm | 1,5 mm |
| 10-30 Vdc | PNP/NPN NO-NC | 4 wires | order No. | --- | --- | --- |
| 10-30 Vdc | PNP NO | 3 wires | order No. | IS-05-A1-S1 95B061051 | IS-05-A1-03 95B061041 | --- |
| 10-30 Vdc | PNP NC | 3 wires | order No. | --- | --- | --- |
| 10-30 Vdc | NPN NO | 3 wires | order No. | IS-05-A3-S1 95B061031 | IS-05-A3-03 95B061021 | IS-05-E3-03 95B065400 |
| 10-30 Vdc | NPN NC | 3 wires | order No. | --- | IS-05-A4-03 95B065420 | --- |
| 10-30 Vdc | PNP NO-NC | 4 wires | order No. | --- | --- | --- |
| 10-30 Vdc | NPN NO-NC | 4 wires | order No. | --- | --- | --- |
| 10-30 Vdc | NO-NC | 2 wires | order No. | --- | --- | --- |
| 20-250 Vac/Vdc | NO | 2 wires | order No. | --- | --- | --- |
| 20-250 Vac/Vdc | NC | 2 wires | order No. | --- | --- | --- |
| 20-250 Vac | NO | 2/3 wires | order No. | --- | --- | --- |
| 10-30 Vdc | Analog 0-20 mA | 3 wires | order No. | --- | --- | --- |
| NAMUR amplifier | NAMUR | 2 wires | order No. | --- | --- | --- |

| | 10-30 Vdc (-15/10%) | 10-30 Vdc (-15/10%) | 10-30 Vdc (-15/10%) |
|---------------------------|--|--|--|
| Nominal Voltage | 10-30 Vdc (-15/10%) | 10-30 Vdc (-15/10%) | 10-30 Vdc (-15/10%) |
| Residual Ripple | < 10% | < 10% | < 10% |
| Hysteresis | < 15% | < 15% | < 15% |
| Max. Output Current | 100 mA | 100 mA | 100 mA |
| Min. Output Current | --- | --- | --- |
| Residual Current | < 0,01 mA | < 0,01 mA | < 0,01 mA |
| Voltage Drop | < 1,5V | < 1,5V | < 1,5V |
| Operation Led | Yellow | Yellow | Yellow |
| Switching Frequency | 2000 Hz | 2000 Hz | 2000 Hz |
| Start Up Delay | --- | --- | --- |
| Repeatability | < 1% | < 1% | --- |
| Short Circuit Protection | Present (self-resetting) | Present (self-resetting) | Present (self-resetting) |
| Electric Protection | Against polarity reversal inductive loads | Against polarity reversal inductive loads | Against polarity reversal inductive loads |
| Temperature Limit | (-25 ... +70 °C) | (-25 ... +70 °C) | (-25 ... +70 °C) |
| Protection Degree | IP69K | IP69K | IP69K |
| Cable Length | --- | 2 m (PUR) | 2 m (PUR) |
| Cable Section | --- | 3x 0,15 mm ² | 3x 0,15 mm ² |
| Housing Material | Stainless-Steel | Stainless-Steel | Stainless-Steel |
| Active face | POM | POM | POM |
| Tightening torque | 1,5 Nm | 1,5 Nm | 1,5 Nm |
| Weight - Cable Output | --- | 25g | 25g |
| Weight - Connector Output | 14g | --- | --- |

STAINLESS STEEL M6,5



SHORT STAINLESS STEEL

FLUSH

M8 conn

cable

1,5 mm

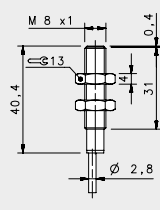
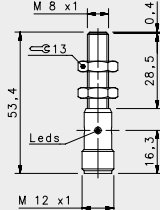
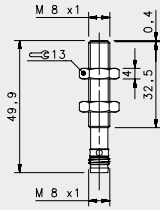
1,5 mm

NOMINAL SWITCHING DISTANCE

| | | | | M8 conn 1,5 mm | cable 1,5 mm |
|-----------------|-------------------|----------|-----------|--------------------------|--------------------------|
| 10-30 Vdc | PNP/NPN NO-NC | 4 wires | order No. | --- | --- |
| 10-30 Vdc | PNP NO | 3 wires | order No. | IS-65-M1-S1 95B066080 | IS-65-M1-03 95B064760 |
| 10-30 Vdc | PNP NC | 3 wires | order No. | IS-65-M2-S1 95B066120 | IS-65-M2-03 95B064800 |
| 10-30 Vdc | NPN NO | 3 wires | order No. | IS-65-M3-S1 95B066000 | IS-65-M3-03 95B064680 |
| 10-30 Vdc | NPN NC | 3 wires | order No. | IS-65-M4-S1 95B066040 | IS-65-M4-03 95B064720 |
| 10-30 Vdc | PNP NO-NC | 4 wires | order No. | --- | --- |
| 10-30 Vdc | NPN NO-NC | 4 wires | order No. | --- | --- |
| 10-30 Vdc | NO-NC | 2 wires | order No. | --- | --- |
| 20-250 Vac/Vdc | NO | 2 wires | order No. | --- | --- |
| 20-250 Vac/Vdc | NC | 2 wires | order No. | --- | --- |
| 20-250 Vac | NO | 2/3wires | order No. | --- | --- |
| 10-30 Vdc | Analog 0-20 mA | 3 wires | order No. | --- | --- |
| NAMUR amplifier | NAMUR | 2 wires | order No. | --- | --- |

| | | |
|---------------------------|--|--|
| Nominal Voltage | 10-30 Vdc (-15/10%) | 10-30 Vdc (-15/10%) |
| Residual Ripple | < 10% | < 10% |
| Hysteresis | < 10% | < 10% |
| Max. Output Current | 200 mA | 200 mA |
| Min. Output Current | --- | --- |
| Residual Current | < 10 mA | < 10 mA |
| Voltage Drop | < 1,2 V (I=100mA) | < 1,2 V (I=100mA) |
| Operation Led | Yellow | Yellow |
| Switching Frequency | 1000 Hz | 1000 Hz |
| Start Up Delay | < 50 ms | < 50 ms |
| Repeatability | < 3% | < 3% |
| Short Circuit Protection | Present (self-resetting) | Present (self-resetting) |
| Electric Protection | Against polarity reversal inductive loads | Against polarity reversal inductive loads |
| Temperature Limit | (-25 ... +70 °C) | (-25 ... +70 °C) |
| Protection Degree | IP69K | IP69K |
| Cable Length | --- | --- |
| Cable Section | --- | 3x 0,14 mm ² |
| Housing Material | Stainless-Steel | Stainless-Steel |
| Active face | LCP | LCP |
| Tightening torque | --- | --- |
| Weight - Cable Output | --- | 80 g |
| Weight - Connector Output | 40 g | --- |

STAINLESS STEEL M8



SHORT STAINLESS STEEL

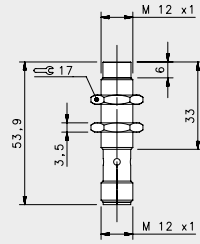
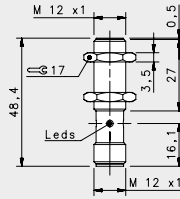
FLUSH

NOMINAL SWITCHING DISTANCE

| | | | | M8 conn | M12 conn | cable |
|-----------------|-------------------|-----------|-----------|--------------------------|--------------------------|--------------------------|
| | | | | 1,5 mm | 1,5 mm | 1,5 mm |
| 10-30 Vdc | PNP/NPN NO-NC | 4 wires | order No. | --- | --- | --- |
| 10-30 Vdc | PNP NO | 3 wires | order No. | IS-08-M1-S1 95B066870 | IS-08-M1-S2 95B066600 | IS-08-M1-03 95B066380 |
| 10-30 Vdc | PNP NC | 3 wires | order No. | IS-08-M2-S1 95B066900 | IS-08-M2-S2 95B066630 | IS-08-M2-03 95B066600 |
| 10-30 Vdc | NPN NO | 3 wires | order No. | IS-08-M3-S1 95B066820 | IS-08-M3-S2 95B066540 | IS-08-M3-03 95B066340 |
| 10-30 Vdc | NPN NC | 3 wires | order No. | IS-08-M4-S1 95B066840 | IS-08-M4-S2 95B066570 | IS-08-M4-03 95B066360 |
| 10-30 Vdc | PNP NO-NC | 4 wires | order No. | --- | --- | --- |
| 10-30 Vdc | NPN NO-NC | 4 wires | order No. | --- | --- | --- |
| 10-30 Vdc | NO-NC | 2 wires | order No. | --- | --- | --- |
| 20-250 Vac/Vdc | NO | 2 wires | order No. | --- | --- | --- |
| 20-250 Vac/Vdc | NC | 2 wires | order No. | --- | --- | --- |
| 20-250 Vac | NO | 2/3 wires | order No. | --- | --- | --- |
| 10-30 Vdc | Analog 0-20 mA | 3 wires | order No. | --- | --- | --- |
| NAMUR amplifier | NAMUR | 2 wires | order No. | --- | --- | --- |

| | 10-30 Vdc (-15/10%) | 10-30 Vdc (-15/10%) | 10-30 Vdc (-15/10%) |
|---------------------------|--|--|--|
| Nominal Voltage | 10-30 Vdc (-15/10%) | 10-30 Vdc (-15/10%) | 10-30 Vdc (-15/10%) |
| Residual Ripple | < 10% | < 10% | < 10% |
| Hysteresis | < 10% | < 10% | < 10% |
| Max. Output Current | 200 mA | 200 mA | 200 mA |
| Min. Output Current | --- | --- | --- |
| Residual Current | < 10 mA | < 10 mA | < 10 mA |
| Voltage Drop | < 1,2 V (I=100mA) | < 1,2 V (I=100mA) | < 1,2 V (I=100mA) |
| Operation Led | Yellow | Yellow | Yellow |
| Switching Frequency | 1000 Hz | 1000 Hz | 1000 Hz |
| Start Up Delay | < 50 ms | < 50 ms | < 50 ms |
| Repeatability | < 3% | < 3% | < 3% |
| Short Circuit Protection | Present (self-resetting) | Present (self-resetting) | Present (self-resetting) |
| Electric Protection | Against polarity reversal inductive loads | Against polarity reversal inductive loads | Against polarity reversal inductive loads |
| Temperature Limit | (-25 ... +70 °C) | (-25 ... +70 °C) | (-25 ... +70 °C) |
| Protection Degree | IP69K | IP69K | IP69K |
| Cable Length | --- | --- | --- |
| Cable Section | --- | --- | 3x 0,14 mm ² |
| Housing Material | Stainless-Steel | Stainless-Steel | Stainless-Steel |
| Active face | LCP | LCP | LCP |
| Tightening torque | 4Nm | 4Nm | 4Nm |
| Weight - Cable Output | --- | --- | 80 g |
| Weight - Connector Output | 35g | 55g | --- |

STAINLESS STEEL M12

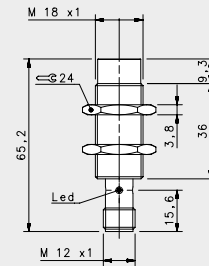
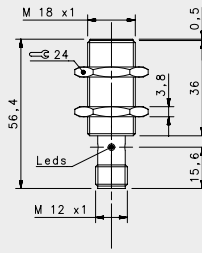


SHORT STAINLESS STEEL

| | | | | FLUSH | NON FLUSH |
|----------------------------|-------------------|----------|-----------|--------------------------|--------------------------|
| | | | | M12 conn | M12 conn |
| | | | | 2 mm | 4 mm |
| NOMINAL SWITCHING DISTANCE | | | | | |
| 10-30 Vdc | PNP/NPN NO-NC | 4 wires | order No. | --- | --- |
| 10-30 Vdc | PNP NO | 3 wires | order No. | IS-12-M1-S2 95B060240 | IS-12-N1-S2 95B060280 |
| 10-30 Vdc | PNP NC | 3 wires | order No. | IS-12-M2-S2 95B060250 | IS-12-N2-S2 95B060290 |
| 10-30 Vdc | NPN NO | 3 wires | order No. | IS-12-M3-S2 95B060260 | IS-12-N3-S2 95B060300 |
| 10-30 Vdc | NPN NC | 3 wires | order No. | IS-12-M4-S2 95B060270 | IS-12-N4-S2 95B060310 |
| 10-30 Vdc | PNP NO-NC | 4 wires | order No. | --- | --- |
| 10-30 Vdc | NPN NO-NC | 4 wires | order No. | --- | --- |
| 10-30 Vdc | NO-NC | 2 wires | order No. | --- | --- |
| 20-250 Vac/Vdc | NO | 2 wires | order No. | --- | --- |
| 20-250 Vac/Vdc | NC | 2 wires | order No. | --- | --- |
| 20-250 Vac | NO | 2/3wires | order No. | --- | --- |
| 10-30 Vdc | Analog 0-20 mA | 3 wires | order No. | --- | --- |
| NAMUR amplifier | NAMUR | 2 wires | order No. | --- | --- |

| | | |
|---------------------------|--|--|
| Nominal Voltage | 10-30 Vdc (-15/10%) | 10-30 Vdc (-15/10%) |
| Residual Ripple | < 10% | < 10% |
| Hysteresis | < 10% | < 10% |
| Max. Output Current | 200 mA | 200 mA |
| Min. Output Current | --- | --- |
| Residual Current | < 10 mA | < 10 mA |
| Voltage Drop | < 1,8 V (I=100mA) | < 1,8 V (I=100mA) |
| Operation Led | Yellow | Yellow |
| Switching Frequency | 1000 Hz | 1000 Hz |
| Start Up Delay | < 50 ms | < 50 ms |
| Repeatability | < 3% | < 3% |
| Short Circuit Protection | Present (self-resetting) | Present (self-resetting) |
| Electric Protection | Against polarity reversal inductive loads | Against polarity reversal inductive loads |
| Temperature Limit | (-25 ... +70 °C) | (-25 ... +70 °C) |
| Protection Degree | IP69K | IP69K |
| Cable Length | --- | --- |
| Cable Section | --- | --- |
| Housing Material | Stainless-Steel | Stainless-Steel |
| Active face | LCP | LCP |
| Tightening torque | 10Nm | 10Nm |
| Weight - Cable Output | --- | --- |
| Weight - Connector Output | 60 g | 60 g |

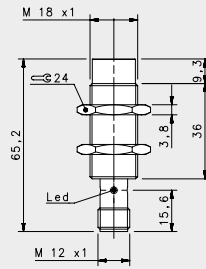
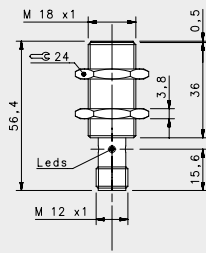
STAINLESS STEEL M18



SHORT STAINLESS STEEL

| | | | | FLUSH | NON FLUSH |
|----------------------------|-------------------|----------|-----------|--------------------------|--------------------------|
| | | | | M12 conn | M12 conn |
| NOMINAL SWITCHING DISTANCE | | | | 5 mm | 8 mm |
| 10-30 Vdc | PNP/NPN NO-NC | 4 wires | order No. | --- | --- |
| 10-30 Vdc | PNP NO | 3 wires | order No. | IS-18-M1-S2 95B060320 | IS-18-N1-S2 95B060360 |
| 10-30 Vdc | PNP NC | 3 wires | order No. | IS-18-M2-S2 95B060330 | IS-18-N2-S2 95B060370 |
| 10-30 Vdc | NPN NO | 3 wires | order No. | IS-18-M3-S2 95B060340 | IS-18-N3-S2 95B060380 |
| 10-30 Vdc | NPN NC | 3 wires | order No. | IS-18-M4-S2 95B060350 | IS-18-N4-S2 95B060390 |
| 10-30 Vdc | PNP NO-NC | 4 wires | order No. | --- | --- |
| 10-30 Vdc | NPN NO-NC | 4 wires | order No. | --- | --- |
| 10-30 Vdc | NO-NC | 2 wires | order No. | --- | --- |
| 20-250 Vac/Vdc | NO | 2 wires | order No. | --- | --- |
| 20-250 Vac/Vdc | NC | 2 wires | order No. | --- | --- |
| 20-250 Vac | NO | 2/3wires | order No. | --- | --- |
| 10-30 Vdc | Analog 0-20 mA | 3 wires | order No. | --- | --- |
| NAMUR amplifier | NAMUR | 2 wires | order No. | --- | --- |

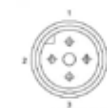
| | | |
|---------------------------|--|--|
| Nominal Voltage | 10-30 Vdc (-15/10%) | 10-30 Vdc (-15/10%) |
| Residual Ripple | < 10% | < 10% |
| Hysteresis | < 10% | < 10% |
| Max. Output Current | 200 mA | 200 mA |
| Min. Output Current | --- | --- |
| Residual Current | < 10 mA | < 10 mA |
| Voltage Drop | < 1,8 V (I=100mA) | < 1,8 V (I=100mA) |
| Operation Led | Yellow | Yellow |
| Switching Frequency | 1000 Hz | 1000 Hz |
| Start Up Delay | < 50 ms | < 50 ms |
| Repeatability | < 3% | < 3% |
| Short Circuit Protection | Present (self-resetting) | Present (self-resetting) |
| Electric Protection | Against polarity reversal inductive loads | Against polarity reversal inductive loads |
| Temperature Limit | (-25 ... +70 °C) | (-25 ... +70 °C) |
| Protection Degree | IP69K | IP69K |
| Cable Length | --- | --- |
| Cable Section | --- | --- |
| Housing Material | Stainless-Steel | Stainless-Steel |
| Active face | LCP | LCP |
| Tightening torque | 30Nm | 30Nm |
| Weight - Cable Output | --- | --- |
| Weight - Connector Output | 95g | 95g |



SHORT STAINLESS STEEL X2

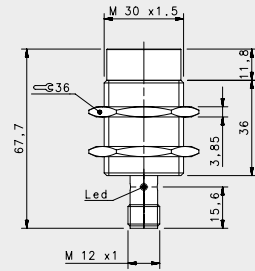
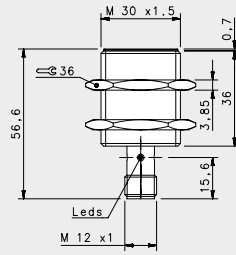
| FLUSH | NON FLUSH |
|---------------------------|---------------------------|
| M12 conn | M12 conn |
| 8 mm | 14 mm |
| --- | --- |
| --- | --- |
| IS-18-01-S2 | IS-18-P1-S2 |
| 95B060080 | 95B060120 |
| IS-18-02-S2 | IS-18-P2-S2 |
| 95B060090 | 95B060130 |
| IS-18-03-S2 | IS-18-P3-S2 |
| 95B060100 | 95B060140 |
| IS-18-04-S2 | IS-18-P4-S2 |
| 95B060110 | 95B060150 |
| --- | --- |
| --- | --- |
| --- | --- |
| --- | --- |
| --- | --- |
| --- | --- |
| --- | --- |
| --- | --- |
| --- | --- |
| --- | --- |
| --- | --- |
| --- | --- |
| --- | --- |
| --- | --- |
| --- | --- |
| --- | --- |
| --- | --- |
| --- | --- |
| --- | --- |
| --- | --- |
| 10-30 Vdc (-15/10%) | 10-30 Vdc (-15/10%) |
| < 10% | < 10% |
| < 10% | < 10% |
| 200 mA | 200 mA |
| --- | --- |
| < 10 mA | < 10 mA |
| < 1,2 V (I=100mA) | < 1,2 V (I=100mA) |
| Yellow | Yellow |
| 200 Hz | 200 Hz |
| < 75 ms | < 75 ms |
| < 3% | < 3% |
| Present (self-resetting) | Present (self-resetting) |
| Against polarity reversal | Against polarity reversal |
| inductive loads | inductive loads |
| (-25 ... +70 °C) | (-25 ... +70 °C) |
| IP69K | IP69K |
| --- | --- |
| --- | --- |
| Stainless-Steel | Stainless-Steel |
| LCP | LCP |
| 30Nm | 30Nm |
| --- | --- |
| 95g | 95g |

M12 3 pole



| CONTACTS CONFIGURATION | | | | |
|------------------------|---|---|---|-------|
| Contacts numbers | | | | |
| Available | 1 | 2 | 3 | 4 |
| (NO or NC) | + | | - | NO/NC |

STAINLESS STEEL M30



SHORT STAINLESS STEEL

| | | | | FLUSH | NON FLUSH |
|----------------------------|-------------------|----------|-----------|--------------------------|--------------------------|
| | | | | M12 conn | M12 |
| NOMINAL SWITCHING DISTANCE | | | | 10 mm | 15 mm |
| 10-30 Vdc | PNP/NPN NO-NC | 4 wires | order No. | --- | --- |
| 10-30 Vdc | PNP NO | 3 wires | order No. | IS-30-M1-S2 95B060400 | IS-30-N1-S2 95B060440 |
| 10-30 Vdc | PNP NC | 3 wires | order No. | IS-30-M2-S2 95B060410 | IS-30-N2-S2 95B060450 |
| 10-30 Vdc | NPN NO | 3 wires | order No. | IS-30-M3-S2 95B060420 | IS-30-N3-S2 95B060460 |
| 10-30 Vdc | NPN NC | 3 wires | order No. | IS-30-M4-S2 95B060430 | IS-30-N4-S2 95B060470 |
| 10-30 Vdc | PNP NO-NC | 4 wires | order No. | --- | --- |
| 10-30 Vdc | NPN NO-NC | 4 wires | order No. | --- | --- |
| 10-30 Vdc | NO-NC | 2 wires | order No. | --- | --- |
| 20-250 Vac/Vdc | NO | 2 wires | order No. | --- | --- |
| 20-250 Vac/Vdc | NC | 2 wires | order No. | --- | --- |
| 20-250 Vac | NO | 2/3wires | order No. | --- | --- |
| 10-30 Vdc | Analog 0-20 mA | 3 wires | order No. | --- | --- |
| NAMUR amplifier | NAMUR | 2 wires | order No. | --- | --- |

| | | |
|---------------------------|--|--|
| Nominal Voltage | 10-30 Vdc (-15/10%) | 10-30 Vdc (-15/10%) |
| Residual Ripple | < 10% | < 10% |
| Hysteresis | < 10% | < 10% |
| Max. Output Current | 200 mA | 200 mA |
| Min. Output Current | --- | --- |
| Residual Current | < 10 mA | < 10 mA |
| Voltage Drop | < 1,8 V (I=100mA) | < 1,8 V (I=100mA) |
| Operation Led | Yellow | Yellow |
| Switching Frequency | 300 Hz | 300 Hz |
| Start Up Delay | < 50 ms | < 50 ms |
| Repeatability | < 3% | < 3% |
| Short Circuit Protection | Present (self-resetting) | Present (self-resetting) |
| Electric Protection | Against polarity reversal inductive loads | Against polarity reversal inductive loads |
| Temperature Limit | (-25 ... +70 °C) | (-25 ... +70 °C) |
| Protection Degree | IP69K | IP69K |
| Cable Length | --- | --- |
| Cable Section | --- | --- |
| Housing Material | Stainless-Steel | Stainless-Steel |
| Active face | LCP | LCP |
| Tightening torque | 60Nm | 60Nm |
| Weight - Cable Output | --- | --- |
| Weight - Connector Output | 170 g | 170 g |

METAL FACE

Stainless Steel housing
Stainless Steel AISI 303 active face
Standard length
2 ... 8 mm
M12, M18
M12 connector
3 wires
PNP, NO
IP67 protection

REDUCTION FACTOR

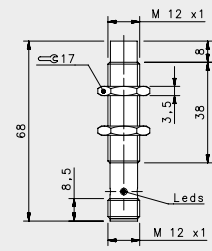
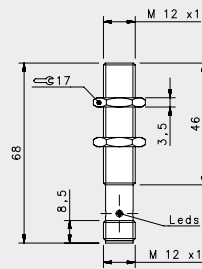
| | ALUMINUM (25°C) | STAINLESS STEEL AISI316L | COPPER | BRASS |
|--------------------|-----------------|-----------------------------|--------|-------|
| Average red. Fact. | 0,45 | 0,85 | 0,4 | 0,5 |

CE



METAL FACE

METAL FACE M12



METAL FACE

FLUSH

NON FLUSH

M12 conn

M12 conn

2 mm

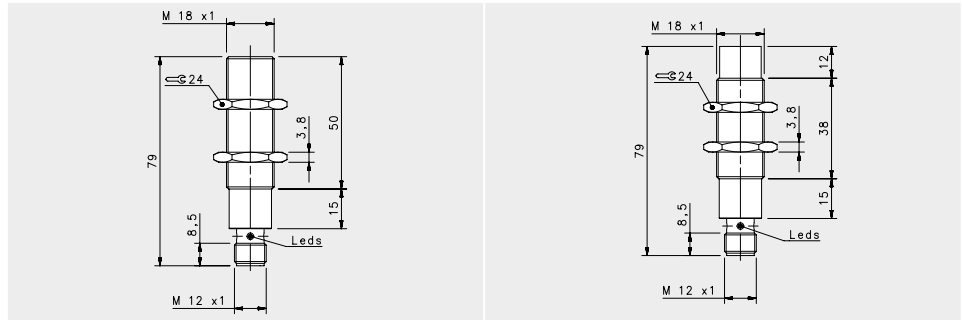
4 mm

NOMINAL SWITCHING DISTANCE

| | | | | 2 mm | 4 mm |
|-----------------|-------------------|----------|-----------|--------------------------|--------------------------|
| 10-30 Vdc | PNP/NPN NO-NC | 4 wires | order No. | --- | --- |
| 10-30 Vdc | PNP NO | 3 wires | order No. | IS-12-L1-52 95B065340 | IS-12-L1-52 95B063871 |
| 10-30 Vdc | PNP NC | 3 wires | order No. | --- | --- |
| 10-30 Vdc | NPN NO | 3 wires | order No. | --- | --- |
| 10-30 Vdc | NPN NC | 3 wires | order No. | --- | --- |
| 10-30 Vdc | PNP NO-NC | 4 wires | order No. | --- | --- |
| 10-30 Vdc | NPN NO-NC | 4 wires | order No. | --- | --- |
| 10-30 Vdc | NO-NC | 2 wires | order No. | --- | --- |
| 20-250 Vac/Vdc | NO | 2 wires | order No. | --- | --- |
| 20-250 Vac/Vdc | NC | 2 wires | order No. | --- | --- |
| 20-250 Vac | NO | 2/3wires | order No. | --- | --- |
| 10-30 Vdc | Analog 0-20 mA | 3 wires | order No. | --- | --- |
| NAMUR amplifier | NAMUR | 2 wires | order No. | --- | --- |

| | | |
|---------------------------|--|--|
| Nominal Voltage | 10-30 Vdc | 10-30 Vdc |
| Residual Ripple | < 10% | < 10% |
| Hysteresis | < 15% | < 15% |
| Max. Output Current | 200 mA | 200 mA |
| Min. Output Current | --- | --- |
| Residual Current | < 0,01 mA | < 0,01 mA |
| Voltage Drop | < 1,5 V (I=100mA) | < 1,5 V (I=100mA) |
| Operation Led | Present | Present |
| Switching Frequency | 2000 Hz | 1000 Hz |
| Start Up Delay | --- | --- |
| Repeatability | < 1% | < 1% |
| Short Circuit Protection | Present (self-resetting) | Present (self-resetting) |
| Electric Protection | Against polarity reversal inductive loads | Against polarity reversal inductive loads |
| Temperature Limit | (-25 ... +70 °C) | (-25 ... +70 °C) |
| Protection Degree | IP67 | IP67 |
| Cable Length | --- | --- |
| Cable Section | --- | --- |
| Housing Material | Stainless-Steel | Stainless-Steel |
| Active face | Stainless Steel AISI 303 | Stainless Steel AISI 303 |
| Tightening torque | 10Nm | 10Nm |
| Weight - Cable Output | --- | --- |
| Weight - Connector Output | 30 g | 30 g |

METAL FACE M18



METAL FACE

| | | | | METAL FACE | |
|----------------------------|-------------------|-----------|-----------|--|--|
| | | | | FLUSH | NON FLUSH |
| | | | | M12 conn | M12 conn |
| NOMINAL SWITCHING DISTANCE | | | | 5 mm | 8 mm |
| 10-30 Vdc | PNP/NPN NO-NC | 4 wires | order No. | --- | --- |
| 10-30 Vdc | PNP NO | 3 wires | order No. | IS-18-I1-S2 95B065350 | IS-18-L1-S2 95B063881 |
| 10-30 Vdc | PNP NC | 3 wires | order No. | --- | --- |
| 10-30 Vdc | NPN NO | 3 wires | order No. | --- | --- |
| 10-30 Vdc | NPN NC | 3 wires | order No. | --- | --- |
| 10-30 Vdc | PNP NO-NC | 4 wires | order No. | --- | --- |
| 10-30 Vdc | NPN NO-NC | 4 wires | order No. | --- | --- |
| 10-30 Vdc | NO-NC | 2 wires | order No. | --- | --- |
| 20-250 Vac/Vdc | NO | 2 wires | order No. | --- | --- |
| 20-250 Vac/Vdc | NC | 2 wires | order No. | --- | --- |
| 20-250 Vac | NO | 2/3 wires | order No. | --- | --- |
| 10-30 Vdc | Analog 0-20 mA | 3 wires | order No. | --- | --- |
| NAMUR amplifier | NAMUR | 2 wires | order No. | --- | --- |
| Nominal Voltage | | | | 10-30 Vdc | 10-30 Vdc |
| Residual Ripple | | | | < 10% | < 10% |
| Hysteresis | | | | < 15% | < 15% |
| Max. Output Current | | | | 200 mA | 200 mA |
| Min. Output Current | | | | > 1,6 mA | > 1,6 mA |
| Residual Current | | | | < 0,01 mA | < 0,01 mA |
| Voltage Drop | | | | < 1,5 V | < 1,5 V |
| Operation Led | | | | Present | Present |
| Switching Frequency | | | | 1000 Hz | 500 Hz |
| Start Up Delay | | | | --- | --- |
| Repeatability | | | | < 1% | < 1% |
| Short Circuit Protection | | | | Present (self-resetting) | Present (self-resetting) |
| Electric Protection | | | | Against polarity reversal inductive loads | Against polarity reversal inductive loads |
| Temperature Limit | | | | (-25 ... +70 °C) | (-25 ... +70 °C) |
| Protection Degree | | | | IP67 | IP67 |
| Cable Length | | | | --- | --- |
| Cable Section | | | | --- | --- |
| Housing Material | | | | Stainless-Steel | Stainless-Steel |
| Active face | | | | Stainless Steel AISI 303 | Stainless Steel AISI 303 |
| Tightening torque | | | | 10Nm | 10Nm |
| Weight - Cable Output | | | | --- | --- |
| Weight - Connector Output | | | | 95g | 95g |

WELD FIELD IMMUNE

Stainless Steel housing

PTFE active face

Standard length

Operating distance 2 ... 8 mm

M12, M18

M12 connector

3 wires

PNP, NO

IP67 protection

REDUCTION FACTOR

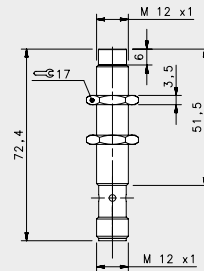
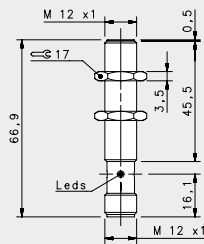
| | ALUMINUM (25°C) | STAINLESS STEEL AISI316L | COPPER | BRASS |
|--------------------|-----------------|-----------------------------|--------|-------|
| Average red. Fact. | 0,45 | 0,85 | 0,4 | 0,5 |

CE



WELD FIELD IMMUNE

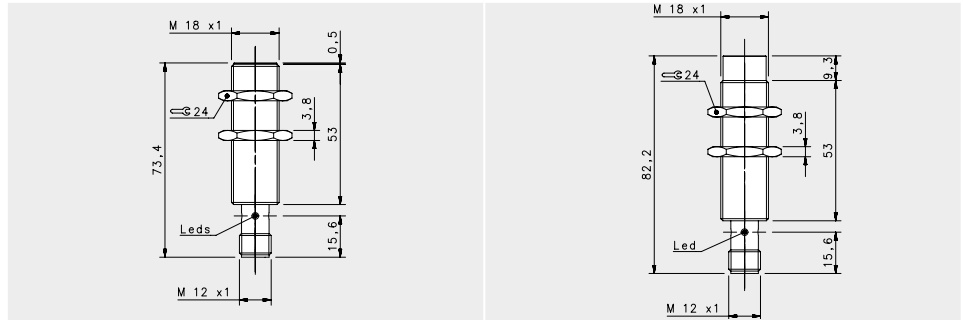
WELD FIELD IMMUNE M12



FIELD IMMUNE STAINLESS STEEL

| | | | | FLUSH | NON FLUSH |
|-----------------------------------|-------------------|----------|-----------|--|--|
| | | | | M12 conn | M12 conn |
| | | | | 2 mm | 4 mm |
| NOMINAL SWITCHING DISTANCE | | | | | |
| 10-30 Vdc | PNP/NPN NO-NC | 4 wires | order No. | --- | --- |
| 10-30 Vdc | PNP NO | 3 wires | order No. | IS-F12-S1-S2 95B065360 | IS-F12-T1-S2 95B065370 |
| 10-30 Vdc | PNP NC | 3 wires | order No. | --- | --- |
| 10-30 Vdc | NPN NO | 3 wires | order No. | --- | --- |
| 10-30 Vdc | NPN NC | 3 wires | order No. | --- | --- |
| 10-30 Vdc | PNP NO-NC | 4 wires | order No. | --- | --- |
| 10-30 Vdc | NPN NO-NC | 4 wires | order No. | --- | --- |
| 10-30 Vdc | NO-NC | 2 wires | order No. | --- | --- |
| 20-250 Vac/Vdc | NO | 2 wires | order No. | --- | --- |
| 20-250 Vac/Vdc | NC | 2 wires | order No. | --- | --- |
| 20-250 Vac | NO | 2/3wires | order No. | --- | --- |
| 10-30 Vdc | Analog 0-20 mA | 3 wires | order No. | --- | --- |
| NAMUR amplifier | NAMUR | 2 wires | order No. | --- | --- |
| Nominal Voltage | | | | 10-30 Vdc | 10-30 Vdc |
| Residual Ripple | | | | < 10% | < 10% |
| Hysteresis | | | | < 15% | < 15% |
| Max. Output Current | | | | 200 mA | 200 mA |
| Min. Output Current | | | | < 10mA | < 10mA |
| Residual Current | | | | < 0,1 mA | < 0,1 mA |
| Voltage Drop | | | | < 1,5V | < 1,5V |
| Operation Led | | | | Present | Present |
| Switching Frequency | | | | 2000 Hz | 1000 Hz |
| Start Up Delay | | | | < 0,1 ms | < 0,1 ms |
| Repeatability | | | | < 1% | < 1% |
| Short Circuit Protection | | | | Present (self-resetting) | Present (self-resetting) |
| Electric Protection | | | | Against polarity reversal inductive loads | Against polarity reversal inductive loads |
| Temperature Limit | | | | (-25 ... +70 °C) | (-25 ... +70 °C) |
| Protection Degree | | | | IP67 | IP67 |
| Cable Length | | | | --- | --- |
| Cable Section | | | | --- | --- |
| Housing Material | | | | Stainless-Steel | Stainless-Steel |
| Active face | | | | PTFE | PTFE |
| Tightening torque | | | | 10 Nm | 10 Nm |
| Weight - Cable Output | | | | --- | --- |
| Weight - Connector Output | | | | 25g | 23g |

WELD FIELD IMMUNE M18



FIELD IMMUNE STAINLESS STEEL

| | | | | FLUSH | NON FLUSH |
|-----------------------------------|-------------------|-----------|-----------|--|--|
| | | | | M12 conn | M12 conn |
| | | | | 5 mm | 8 mm |
| NOMINAL SWITCHING DISTANCE | | | | | |
| 10-30 Vdc | PNP/NPN NO-NC | 4 wires | order No. | --- | --- |
| 10-30 Vdc | PNP NO | 3 wires | order No. | IS-F18-S1-52 95B065380 | IS-F18-T1-52 95B065390 |
| 10-30 Vdc | PNP NC | 3 wires | order No. | --- | --- |
| 10-30 Vdc | NPN NO | 3 wires | order No. | --- | --- |
| 10-30 Vdc | NPN NC | 3 wires | order No. | --- | --- |
| 10-30 Vdc | PNP NO-NC | 4 wires | order No. | --- | --- |
| 10-30 Vdc | NPN NO-NC | 4 wires | order No. | --- | --- |
| 10-30 Vdc | NO-NC | 2 wires | order No. | --- | --- |
| 20-250 Vac/Vdc | NO | 2 wires | order No. | --- | --- |
| 20-250 Vac/Vdc | NC | 2 wires | order No. | --- | --- |
| 20-250 Vac | NO | 2/3 wires | order No. | --- | --- |
| 10-30 Vdc | Analog 0-20 mA | 3 wires | order No. | --- | --- |
| NAMUR amplifier | NAMUR | 2 wires | order No. | --- | --- |
| Nominal Voltage | | | | 10-30 Vdc | 10-30 Vdc |
| Residual Ripple | | | | < 10% | < 10% |
| Hysteresis | | | | < 15% | < 15% |
| Max. Output Current | | | | 200 mA | 200 mA |
| Min. Output Current | | | | < 10mA | < 10mA |
| Residual Current | | | | < 0,1 mA | < 0,1 mA |
| Voltage Drop | | | | < 1,5V | < 1,5V |
| Operation Led | | | | Present | Present |
| Switching Frequency | | | | 1000 Hz | 500 Hz |
| Start Up Delay | | | | < 0,2 ms | < 0,5 ms |
| Repeatability | | | | < 1% | < 1% |
| Short Circuit Protection | | | | Present (self-resetting) | Present (self-resetting) |
| Electric Protection | | | | Against polarity reversal inductive loads | Against polarity reversal inductive loads |
| Temperature Limit | | | | (-25 ... +70 °C) | (-25 ... +70 °C) |
| Protection Degree | | | | IP67 | IP67 |
| Cable Length | | | | --- | --- |
| Cable Section | | | | --- | --- |
| Housing Material | | | | Stainless-Steel | Stainless-Steel |
| Active face | | | | PTFE | PTFE |
| Tightening torque | | | | 30 Nm | 30 Nm |
| Weight - Cable Output | | | | --- | --- |
| Weight - Connector Output | | | | 94g | 91g |

INDUCTIVE AC

Nickel-plated Brass housing
PA 16 active face
Standard length
Operating distance 2 ... 10 mm
M12, M18, M30
cable or M12 connector
20+250 Vac (50,60 Hz)
2 or 3 wires
NO
IP67 protection

REDUCTION FACTOR

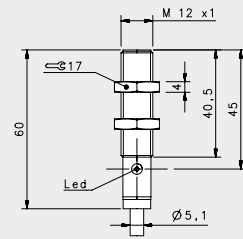
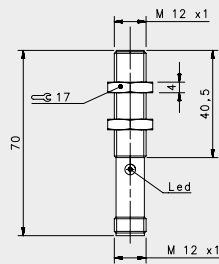
| | ALUMINUM (25°C) | STAINLESS STEEL AISI316L | COPPER | BRASS |
|--------------------|-----------------|-----------------------------|-------------|------------|
| Average red. Fact. | 0,3...0,45 | 0,6...1 | 0,25...0,45 | 0,35...0,5 |





INDUCTIVE AC

INDUCTIVE AC M12



STANDARD VAC

FLUSH

M12 conn

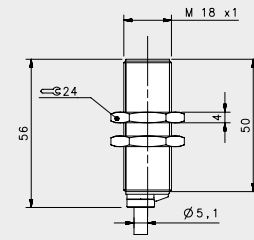
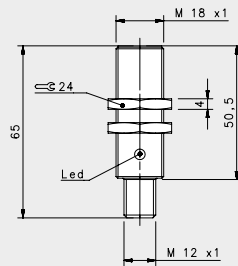
cable

NOMINAL SWITCHING DISTANCE

| | | | | 2 mm | 2 mm |
|-----------------|-------------------|----------|-----------|---------------------------|---------------------------|
| 10-30 Vdc | PNP/NPN NO-NC | 4 wires | order No. | --- | --- |
| 10-30 Vdc | PNP NO | 3 wires | order No. | --- | --- |
| 10-30 Vdc | PNP NC | 3 wires | order No. | --- | --- |
| 10-30 Vdc | NPN NO | 3 wires | order No. | --- | --- |
| 10-30 Vdc | NPN NC | 3 wires | order No. | --- | --- |
| 10-30 Vdc | PNP NO-NC | 4 wires | order No. | --- | --- |
| 10-30 Vdc | NPN NO-NC | 4 wires | order No. | --- | --- |
| 10-30 Vdc | NO-NC | 2 wires | order No. | --- | --- |
| 20-250 Vac/Vdc | NO | 2 wires | order No. | --- | --- |
| 20-250 Vac/Vdc | NC | 2 wires | order No. | --- | --- |
| 20-250 Vac | NO | 2/3wires | order No. | IS-12-A15-S2 95B060690 | IS-12-A15-03 95B060680 |
| 10-30 Vdc | Analog 0-20 mA | 3 wires | order No. | --- | --- |
| NAMUR amplifier | NAMUR | 2 wires | order No. | --- | --- |

| | | |
|---------------------------|--|--|
| Nominal Voltage | 20+250 Vac (50,60 Hz) | 20+250 Vac (50,60 Hz) |
| Residual Ripple | < 10% | < 10% |
| Hysteresis | < 10% | < 10% |
| Max. Output Current | 500 mA, inrush:1,5A | 500 mA, inrush:1,5A |
| Min. Output Current | 20 mA | 20 mA |
| Residual Current | < 0,7 mA | < 0,7 mA |
| Voltage Drop | < 4 V (I=100mA) | < 4 V (I=100mA) |
| Operation Led | Yellow | Yellow |
| Switching Frequency | 25 Hz | 25 Hz |
| Start Up Delay | < 300 ms | < 300 ms |
| Repeatability | 5% | 5% |
| Short Circuit Protection | Present (self-resetting) | Present (self-resetting) |
| Electric Protection | Against polarity reversal inductive loads | Against polarity reversal inductive loads |
| Temperature Limit | (-25 ... +70 °C) | (-25 ... +70 °C) |
| Protection Degree | IP67 | IP67 |
| Cable Length | --- | 2 m |
| Cable Section | --- | 2 x 0,25 mm ² |
| Housing Material | Nickel-plated brass | Nickel-plated brass |
| Active face | PA 16 | PA 16 |
| Tightening torque | 17Nm | 17Nm |
| Weight - Cable Output | --- | 145g |
| Weight - Connector Output | 95g | --- |

INDUCTIVE AC M18



STANDARD VAC

FLUSH

M12 conn

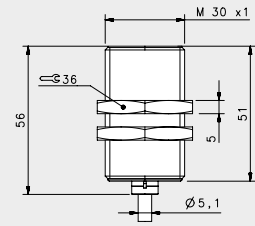
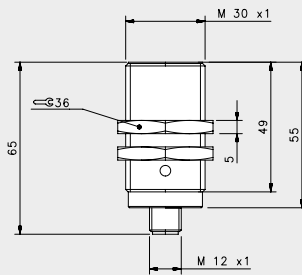
cable

NOMINAL SWITCHING DISTANCE

| | | | | 5 mm | 5 mm |
|-----------------|-------------------|-----------|-----------|---------------------------|---------------------------|
| 10-30 Vdc | PNP/NPN NO-NC | 4 wires | order No. | --- | --- |
| 10-30 Vdc | PNP NO | 3 wires | order No. | --- | --- |
| 10-30 Vdc | PNP NC | 3 wires | order No. | --- | --- |
| 10-30 Vdc | NPN NO | 3 wires | order No. | --- | --- |
| 10-30 Vdc | NPN NC | 3 wires | order No. | --- | --- |
| 10-30 Vdc | PNP NO-NC | 4 wires | order No. | --- | --- |
| 10-30 Vdc | NPN NO-NC | 4 wires | order No. | --- | --- |
| 10-30 Vdc | NO-NC | 2 wires | order No. | --- | --- |
| 20-250 Vac/Vdc | NO | 2 wires | order No. | --- | --- |
| 20-250 Vac/Vdc | NC | 2 wires | order No. | --- | --- |
| 20-250 Vac | NO | 2/3 wires | order No. | IS-18-A15-S2 95B060780 | IS-18-A15-03 95B060770 |
| 10-30 Vdc | Analog 0-20 mA | 3 wires | order No. | --- | --- |
| NAMUR amplifier | NAMUR | 2 wires | order No. | --- | --- |

| | | |
|---------------------------|--|--|
| Nominal Voltage | 20+250 Vac (50,60 Hz) | 20+250 Vac (50,60 Hz) |
| Residual Ripple | < 10% | < 10% |
| Hysteresis | < 10% | < 10% |
| Max. Output Current | 500 mA, inrush:1,5A | 500 mA, inrush:1,5A |
| Min. Output Current | 20 mA | 20 mA |
| Residual Current | < 0,7 mA | < 0,7 mA |
| Voltage Drop | < 4 V (I=100mA) | < 4 V (I=100mA) |
| Operation Led | Yellow | Yellow |
| Switching Frequency | 25 Hz | 25 Hz |
| Start Up Delay | < 300 ms | < 300 ms |
| Repeatability | 5% | 5% |
| Short Circuit Protection | Present (self-resetting) | Present (self-resetting) |
| Electric Protection | Against polarity reversal inductive loads | Against polarity reversal inductive loads |
| Temperature Limit | (-25 ... +70 °C) | (-25 ... +70 °C) |
| Protection Degree | IP67 | IP67 |
| Cable Length | --- | 2 m |
| Cable Section | --- | 2 x 0,25 mm ² |
| Housing Material | Nickel-plated brass | Nickel-plated brass |
| Active face | PA 16 | PA 16 |
| Tightening torque | 40Nm | 40Nm |
| Weight - Cable Output | --- | 145g |
| Weight - Connector Output | 95g | --- |

INDUCTIVE AC M30



STANDARD VAC

FLUSH

M12 conn

cable

10 mm

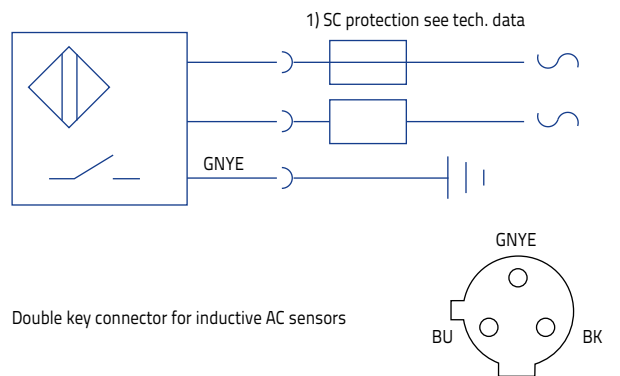
10 mm

NOMINAL SWITCHING DISTANCE

| 10-30 Vdc | PNP/NPN NO-NC | 4 wires | order No. | --- | --- |
|-----------------|-------------------|----------|-----------|---------------------------|---------------------------|
| 10-30 Vdc | PNP NO | 3 wires | order No. | --- | --- |
| 10-30 Vdc | PNP NC | 3 wires | order No. | --- | --- |
| 10-30 Vdc | NPN NO | 3 wires | order No. | --- | --- |
| 10-30 Vdc | NPN NC | 3 wires | order No. | --- | --- |
| 10-30 Vdc | PNP NO-NC | 4 wires | order No. | --- | --- |
| 10-30 Vdc | NPN NO-NC | 4 wires | order No. | --- | --- |
| 10-30 Vdc | NO-NC | 2 wires | order No. | --- | --- |
| 20-250 Vac/Vdc | NO | 2 wires | order No. | --- | --- |
| 20-250 Vac/Vdc | NC | 2 wires | order No. | --- | --- |
| 20-250 Vac | NO | 2/3wires | order No. | IS-30-A15-S2 95B060820 | IS-30-A15-03 95B060810 |
| 10-30 Vdc | Analog 0-20 mA | 3 wires | order No. | --- | --- |
| NAMUR amplifier | NAMUR | 2 wires | order No. | --- | --- |

| | | |
|---------------------------|--|--|
| Nominal Voltage | 20+250 Vac (50,60 Hz) | 20+250 Vac (50,60 Hz) |
| Residual Ripple | < 10% | < 10% |
| Hysteresis | < 10% | < 10% |
| Max. Output Current | 500 mA, inrush:1,5A | 500 mA, inrush:1,5A |
| Min. Output Current | 20 mA | 20 mA |
| Residual Current | < 0,7 mA | < 0,7 mA |
| Voltage Drop | < 4 V (I=100mA) | < 4 V (I=100mA) |
| Operation Led | Yellow | Yellow |
| Switching Frequency | 25 Hz | 25 Hz |
| Start Up Delay | < 300 ms | < 300 ms |
| Repeatability | 5% | 5% |
| Short Circuit Protection | Present (self-resetting) | Present (self-resetting) |
| Electric Protection | Against polarity reversal inductive loads | Against polarity reversal inductive loads |
| Temperature Limit | (-25 ... +70 °C) | (-25 ... +70 °C) |
| Protection Degree | IP67 | IP67 |
| Cable Length | --- | 2 m |
| Cable Section | --- | 2 x 0,25 mm ² |
| Housing Material | Nickel-plated brass | Nickel-plated brass |
| Active face | PA 16 | PA 16 |
| Tightening torque | 70Nm | 70Nm |
| Weight - Cable Output | --- | 145g |
| Weight - Connector Output | 95g | --- |

INDUCTIVE AC



NAMUR

Stainless Steel housing

LCP active face

Short length

Operating distance 0.8 ... 15 mm

M5, M8, M12, M30

Cable, M8 or M12 connector

2 wires

IP67 protection

REDUCTION FACTOR

| | ALUMINUM (25° C) | STAINLESS STEEL AISI316L | COPPER | BRASS |
|-----------|------------------|-----------------------------|-----------|-----------|
| FLUSH | 0,3...0,5 | 0,7...0,9 | 0,2...0,5 | 0,4...0,6 |
| NON-FLUSH | 0,4...0,6 | 0,7...1,05 | 0,4...0,5 | 0,5...0,7 |

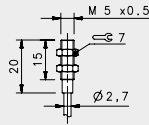


M12/18/30 FLUSH models are ATEX certified
I | 3G EX nA II T6
I | 3D EX tD A22 IP67 T85°C



NAMUR

NAMUR M5



NAMUR

FLUSH

cable

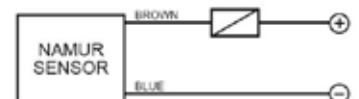
NOMINAL SWITCHING DISTANCE

0,8 mm

| Nominal Voltage | PNP/NPN | NO-NC | Wires | order No. | IS-05-A20-03 |
|-----------------|---------|---------|----------|-----------|--------------|
| 10-30 Vdc | PNP | NO-NC | 4 wires | order No. | --- |
| 10-30 Vdc | PNP | NO | 3 wires | order No. | --- |
| 10-30 Vdc | PNP | NC | 3 wires | order No. | --- |
| 10-30 Vdc | NPN | NO | 3 wires | order No. | --- |
| 10-30 Vdc | NPN | NC | 3 wires | order No. | --- |
| 10-30 Vdc | PNP | NO-NC | 4 wires | order No. | --- |
| 10-30 Vdc | NPN | NO-NC | 4 wires | order No. | --- |
| 10-30 Vdc | NO-NC | | 2 wires | order No. | --- |
| 20-250 Vac/Vdc | NO | | 2 wires | order No. | --- |
| 20-250 Vac/Vdc | NC | | 2 wires | order No. | --- |
| 20-250 Vac | NO | | 2/3wires | order No. | --- |
| 10-30 Vdc | Analog | 0-20 mA | 3 wires | order No. | --- |
| NAMUR amplifier | NAMUR | | 2 wires | order No. | 95B065410 |

| | |
|---------------------------|--|
| Nominal Voltage | 6+ 12 V DC |
| Residual Ripple | --- |
| Hysteresis | < 10% |
| Max. Output Current | < 3 mA (metal absent) |
| Min. Output Current | < 1 mA (metal present) |
| Residual Current | --- |
| Voltage Drop | --- |
| Operation Led | --- |
| Switching Frequency | 2000 Hz |
| Start Up Delay | < 10 ms |
| Repeatability | --- |
| Short Circuit Protection | Present (self-resetting) |
| Electric Protection | Against polarity reversal inductive loads |
| Temperature Limit | (-25 ... +70 °C) |
| Protection Degree | IP67 |
| Cable Length | 2 m (PVC) |
| Cable Section | 2x 0,15 mm ² |
| Housing Material | Stainless-Steel |
| Active face | LCP |
| Tightening torque | 1,5Nm |
| Weight - Cable Output | 25g |
| Weight - Connector Output | --- |

2 wires NAMUR

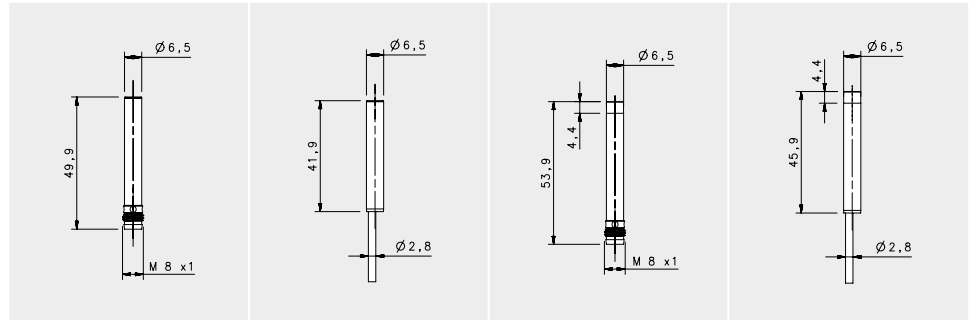


M8 2 wires NAMUR



| Available | Contacts numbers | | |
|-----------|------------------|---|---|
| | 1 | 3 | 4 |
| NAMUR | + | - | |

NAMUR M6,5

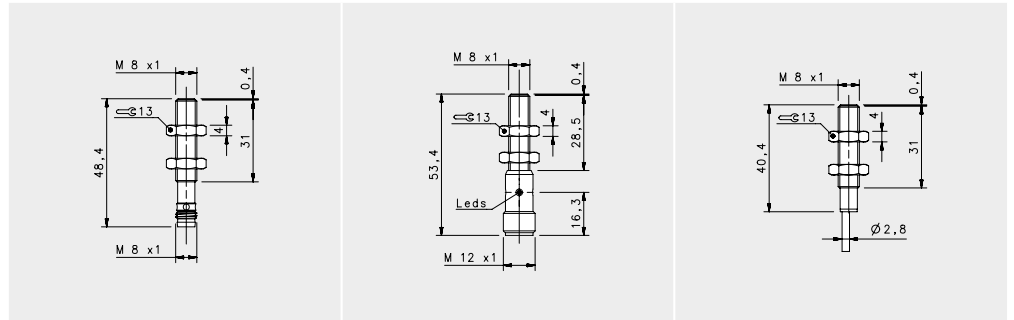


NAMUR

| | | | | FLUSH | | NON FLUSH | |
|----------------------------|-------------------|-----------|-----------|---------------------------|---------------------------|---------------------------|---------------------------|
| | | | | M8 conn | cable | M8 conn | cable |
| NOMINAL SWITCHING DISTANCE | | | | 1 mm | 1 mm | 2 mm | 2 mm |
| 10-30 Vdc | PNP/NPN NO-NC | 4 wires | order No. | --- | --- | --- | --- |
| 10-30 Vdc | PNP NO | 3 wires | order No. | --- | --- | --- | --- |
| 10-30 Vdc | PNP NC | 3 wires | order No. | --- | --- | --- | --- |
| 10-30 Vdc | NPN NO | 3 wires | order No. | --- | --- | --- | --- |
| 10-30 Vdc | NPN NC | 3 wires | order No. | --- | --- | --- | --- |
| 10-30 Vdc | PNP NO-NC | 4 wires | order No. | --- | --- | --- | --- |
| 10-30 Vdc | NPN NO-NC | 4 wires | order No. | --- | --- | --- | --- |
| 10-30 Vdc | NO-NC | 2 wires | order No. | --- | --- | --- | --- |
| 20-250 Vac/Vdc | NO | 2 wires | order No. | --- | --- | --- | --- |
| 20-250 Vac/Vdc | NC | 2 wires | order No. | --- | --- | --- | --- |
| 20-250 Vac | NO | 2/3 wires | order No. | --- | --- | --- | --- |
| 10-30 Vdc | Analog 0-20 mA | 3 wires | order No. | --- | --- | --- | --- |
| NAMUR amplifier | NAMUR | 2 wires | order No. | IS-65-A20-S1 95B066310 | IS-65-A20-03 95B066290 | IS-65-C20-S1 95B066320 | IS-65-C20-03 95B066300 |

| | | | | |
|---------------------------|--|--|--|--|
| Nominal Voltage | 7,7 +9 V DC | 7,7 +9 V DC | 7,7 +9 V DC | 7,7 +9 V DC |
| Residual Ripple | < 10% | < 10% | < 10% | < 10% |
| Hysteresis | < 10% | < 10% | < 10% | < 10% |
| Max. Output Current | < 3 mA (metal absent) | < 3 mA (metal absent) | < 3 mA (metal absent) | < 3 mA (metal absent) |
| Min. Output Current | < 1 mA (metal present) | < 1 mA (metal present) | < 1 mA (metal present) | < 1 mA (metal present) |
| Residual Current | --- | --- | --- | --- |
| Voltage Drop | --- | --- | --- | --- |
| Operation Led | --- | --- | --- | --- |
| Switching Frequency | 2000 Hz | 2000 Hz | 2000 Hz | 2000 Hz |
| Start Up Delay | --- | --- | --- | --- |
| Repeatability | < 3% | < 3% | < 3% | < 3% |
| Short Circuit Protection | Present (self-resetting) | Present (self-resetting) | Present (self-resetting) | Present (self-resetting) |
| Electric Protection | Against polarity reversal inductive loads | Against polarity reversal inductive loads | Against polarity reversal inductive loads | Against polarity reversal inductive loads |
| Temperature Limit | (-25 ... +60 °C) | (-25 ... +60 °C) | (-25 ... +60 °C) | (-25 ... +60 °C) |
| Protection Degree | IP67 | IP67 | IP67 | IP67 |
| Cable Length | --- | 2 m | --- | 2 m |
| Cable Section | --- | 2x 0,25 mm ² | --- | 2 x 0,25 mm ² |
| Housing Material | Nickel-plated brass | Nickel-plated brass | Nickel-plated brass | Nickel-plated brass |
| Active face | LCP | LCP | LCP | LCP |
| Weight - Cable Output | --- | 80 g | --- | 80 g |
| Weight - Connector Output | 40 g | --- | 40 g | --- |

NAMUR M8

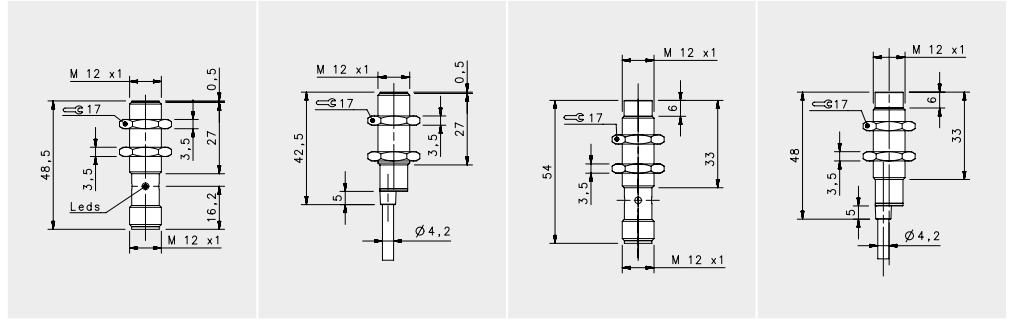


NAMUR

FLUSH

| | | | | M8 conn | M12 conn | cable |
|-----------------------------------|-------------------|----------|-----------|--|--|--|
| | | | | 1 mm | 1 mm | 1 mm |
| NOMINAL SWITCHING DISTANCE | | | | | | |
| 10-30 Vdc | PNP/NPN NO-NC | 4 wires | order No. | --- | --- | --- |
| 10-30 Vdc | PNP NO | 3 wires | order No. | --- | --- | --- |
| 10-30 Vdc | PNP NC | 3 wires | order No. | --- | --- | --- |
| 10-30 Vdc | NPN NO | 3 wires | order No. | --- | --- | --- |
| 10-30 Vdc | NPN NC | 3 wires | order No. | --- | --- | --- |
| 10-30 Vdc | PNP NO-NC | 4 wires | order No. | --- | --- | --- |
| 10-30 Vdc | NPN NO-NC | 4 wires | order No. | --- | --- | --- |
| 10-30 Vdc | NO-NC | 2 wires | order No. | --- | --- | --- |
| 20-250 Vac/Vdc | NO | 2 wires | order No. | --- | --- | --- |
| 20-250 Vac/Vdc | NC | 2 wires | order No. | --- | --- | --- |
| 20-250 Vac | NO | 2/3wires | order No. | --- | --- | --- |
| 10-30 Vdc | Analog 0-20 mA | 3 wires | order No. | --- | --- | --- |
| NAMUR amplifier | NAMUR | 2 wires | order No. | IS-08-A20-S1 95B066780 | IS-08-A20-S2 95B066760 | S-08-A20-03 95B066740 |
| Nominal Voltage | | | | 7,7 + 9 V DC | 7,7 + 9 V DC | 7,7 + 9 V DC |
| Residual Ripple | | | | < 10% | < 10% | < 10% |
| Hysteresis | | | | < 10% | < 10% | < 10% |
| Max. Output Current | | | | < 3 mA (metal absent) | < 3 mA (metal absent) | < 3 mA (metal absent) |
| Min. Output Current | | | | < 1 mA (metal present) | < 1 mA (metal present) | < 1 mA (metal present) |
| Residual Current | | | | --- | --- | --- |
| Voltage Drop | | | | --- | --- | --- |
| Operation Led | | | | --- | --- | --- |
| Switching Frequency | | | | 2000 Hz | 2000 Hz | 2000 Hz |
| Start Up Delay | | | | --- | --- | --- |
| Repeatability | | | | < 3% | < 3% | < 3% |
| Short Circuit Protection | | | | Present (self-resetting) | Present (self-resetting) | Present (self-resetting) |
| Electric Protection | | | | Against polarity reversal inductive loads | Against polarity reversal inductive loads | Against polarity reversal inductive loads |
| Temperature Limit | | | | (-25 ... +60 °C) | (-25 ... +60 °C) | (-25 ... +60 °C) |
| Protection Degree | | | | IP67 | IP67 | IP67 |
| Cable Length | | | | --- | --- | 2 m |
| Cable Section | | | | --- | --- | 2x 0,25 mm ² |
| Housing Material | | | | Nickel-plated brass | Nickel-plated brass | Nickel-plated brass |
| Active face | | | | LCP | LCP | LCP |
| Tightening torque | | | | 4Nm | 4Nm | 4Nm |
| Weight - Cable Output | | | | --- | --- | 80 g |
| Weight - Connector Output | | | | 35g | 55g | --- |

NAMUR M12

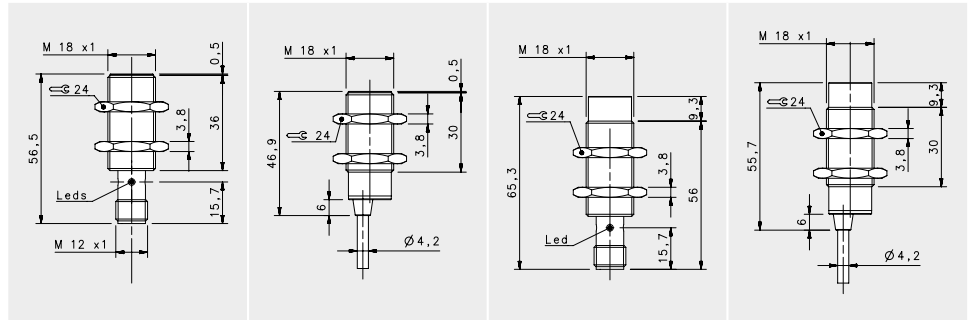


NAMUR

| | | | | FLUSH | | NON FLUSH | |
|-----------------------------------|----------------|----------|-----------|---------------------------|---------------------------|---------------------------|---------------------------|
| | | | | M12 conn | cable | M12 conn | cable |
| | | | | 2 mm | 2 mm | 4mm | 4mm |
| NOMINAL SWITCHING DISTANCE | | | | | | | |
| 10-30 Vdc | PNP/NPN NO-NC | 4 wires | order No. | --- | --- | --- | --- |
| 10-30 Vdc | PNP NO | 3 wires | order No. | --- | --- | --- | --- |
| 10-30 Vdc | PNP NC | 3 wires | order No. | --- | --- | --- | --- |
| 10-30 Vdc | NPN NO | 3 wires | order No. | --- | --- | --- | --- |
| 10-30 Vdc | NPN NC | 3 wires | order No. | --- | --- | --- | --- |
| 10-30 Vdc | PNP NO-NC | 4 wires | order No. | --- | --- | --- | --- |
| 10-30 Vdc | NPN NO-NC | 4 wires | order No. | --- | --- | --- | --- |
| 10-30 Vdc | NO-NC | 2 wires | order No. | --- | --- | --- | --- |
| 20-250 Vac/Vdc | NO | 2 wires | order No. | --- | --- | --- | --- |
| 20-250 Vac/Vdc | NC | 2 wires | order No. | --- | --- | --- | --- |
| 20-250 Vac | NO | 2/3wires | order No. | --- | --- | --- | --- |
| 10-30 Vdc | Analog 0-20 mA | 3 wires | order No. | --- | --- | --- | --- |
| NAMUR amplifier | NAMUR | 2 wires | order No. | IS-12-A20-S2 95B064180 | IS-12-A20-03 95B064160 | IS-12-C20-S2 95B064190 | IS-12-C20-03 95B064170 |

| | | | | |
|---------------------------|---|---|---|---|
| Nominal Voltage | 7,7+9 V DC | 7,7+9 V DC | 7,7+9 V DC | 7,7+9 V DC |
| Residual Ripple | < 10% | < 10% | < 10% | < 10% |
| Hysteresis | < 10% | < 10% | < 10% | < 10% |
| Max. Output Current | < 3 mA (metal absent) | < 3 mA (metal absent) | < 3 mA (metal absent) | < 3 mA (metal absent) |
| Min. Output Current | < 1 mA (metal present) | < 1 mA (metal present) | < 1 mA (metal present) | < 1 mA (metal present) |
| Residual Current | --- | --- | --- | --- |
| Voltage Drop | --- | --- | --- | --- |
| Operation Led | --- | --- | --- | --- |
| Switching Frequency | 2000 Hz | 2000 Hz | 2000 Hz | 2000 Hz |
| Start Up Delay | --- | --- | --- | --- |
| Repeatability | < 3% | < 3% | < 3% | < 3% |
| Short Circuit Protection | Present (self-resetting) | Present (self-resetting) | Present (self-resetting) | Present (self-resetting) |
| Electric Protection | Against polarity reversal inductive loads | Against polarity reversal inductive loads | Against polarity reversal inductive loads | Against polarity reversal inductive loads |
| Temperature Limit | (-25 ... +60 °C) | (-25 ... +60 °C) | (-25 ... +60 °C) | (-25 ... +60 °C) |
| Protection Degree | IP67 | IP67 | IP67 | IP67 |
| Cable Length | --- | 2 m | --- | 2 m |
| Cable Section | --- | 2 x 0,25 mm ² | --- | 2 x 0,25 mm ² |
| Housing Material | Nickel-plated brass | Nickel-plated brass | Nickel-plated brass | Nickel-plated brass |
| Active face | LCP | LCP | LCP | LCP |
| Tightening torque | 10Nm | 10Nm | 10Nm | 10Nm |
| Weight - Cable Output | --- | 110 g | --- | 110 g |
| Weight - Connector Output | 60 g | --- | 60 g | --- |

NAMUR M18

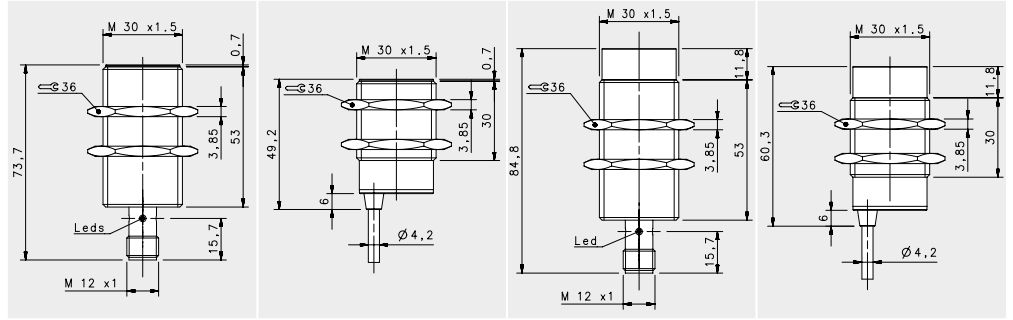


NAMUR

| | | | | FLUSH | | NON FLUSH | |
|-----------------------------------|-------------------|-----------|-----------|---------------------------|---------------------------|---------------------------|---------------------------|
| | | | | M12 conn | cable | M12 conn | cable |
| | | | | 5mm | 5mm | 8mm | 8mm |
| NOMINAL SWITCHING DISTANCE | | | | | | | |
| 10-30 Vdc | PNP/NPN NO-NC | 4 wires | order No. | --- | --- | --- | --- |
| 10-30 Vdc | PNP NO | 3 wires | order No. | --- | --- | --- | --- |
| 10-30 Vdc | PNP NC | 3 wires | order No. | --- | --- | --- | --- |
| 10-30 Vdc | NPN NO | 3 wires | order No. | --- | --- | --- | --- |
| 10-30 Vdc | NPN NC | 3 wires | order No. | --- | --- | --- | --- |
| 10-30 Vdc | PNP NO-NC | 4 wires | order No. | --- | --- | --- | --- |
| 10-30 Vdc | NPN NO-NC | 4 wires | order No. | --- | --- | --- | --- |
| 10-30 Vdc | NO-NC | 2 wires | order No. | --- | --- | --- | --- |
| 20-250 Vac/Vdc | NO | 2 wires | order No. | --- | --- | --- | --- |
| 20-250 Vac/Vdc | NC | 2 wires | order No. | --- | --- | --- | --- |
| 20-250 Vac | NO | 2/3 wires | order No. | --- | --- | --- | --- |
| 10-30 Vdc | Analog 0-20 mA | 3 wires | order No. | --- | --- | --- | --- |
| NAMUR amplifier | NAMUR | 2 wires | order No. | IS-18-A20-S2 95B064380 | IS-18-A20-03 95B064360 | IS-18-C20-S2 95B064390 | IS-18-C20-03 95B064370 |

| | | | | |
|---------------------------|--|--|--|--|
| Nominal Voltage | 7,7 + 9 V DC | 7,7 + 9 V DC | 7,7 + 9 V DC | 7,7 + 9 V DC |
| Residual Ripple | < 10% | < 10% | < 10% | < 10% |
| Hysteresis | < 10% | < 10% | < 10% | < 10% |
| Max. Output Current | < 3 mA (metal absent) | < 3 mA (metal absent) | < 3 mA (metal absent) | < 3 mA (metal absent) |
| Min. Output Current | < 1 mA (metal present) | < 1 mA (metal present) | < 1 mA (metal present) | < 1 mA (metal present) |
| Residual Current | --- | --- | --- | --- |
| Voltage Drop | --- | --- | --- | --- |
| Operation Led | --- | --- | --- | --- |
| Switching Frequency | 1000 Hz | 1000 Hz | 1000 Hz | 1000 Hz |
| Start Up Delay | --- | --- | --- | --- |
| Repeatability | < 3% | < 3% | < 3% | < 3% |
| Short Circuit Protection | Present (self-resetting) | Present (self-resetting) | Present (self-resetting) | Present (self-resetting) |
| Electric Protection | Against polarity reversal inductive loads | Against polarity reversal inductive loads | Against polarity reversal inductive loads | Against polarity reversal inductive loads |
| Temperature Limit | (-25 ... +60 °C) | (-25 ... +60 °C) | (-25 ... +60 °C) | (-25 ... +60 °C) |
| Protection Degree | IP67 | IP67 | IP67 | IP67 |
| Cable Length | --- | 2 m | --- | 2 m |
| Cable Section | --- | 2 x 0,25 mm ² | --- | 2 x 0,25 mm ² |
| Housing Material | Nickel-plated brass | Nickel-plated brass | Nickel-plated brass | Nickel-plated brass |
| Active face | LCP | LCP | LCP | LCP |
| Tightening torque | 30Nm | 30Nm | 30Nm | 30Nm |
| Weight - Cable Output | --- | 145g | --- | 145g |
| Weight - Connector Output | 95g | --- | 95g | --- |

NAMUR M30



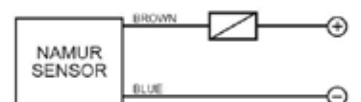
NAMUR

NOMINAL SWITCHING DISTANCE

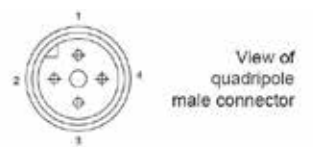
| | | | | FLUSH | | NON FLUSH | |
|-----------------|----------------|----------|-----------|---------------------------|---------------------------|---------------------------|---------------------------|
| | | | | M12 conn | cable | M12 conn | cable |
| | | | | 10mm | 10mm | 15mm | 15mm |
| 10-30 Vdc | PNP/NPN NO-NC | 4 wires | order No. | --- | --- | --- | --- |
| 10-30 Vdc | PNP NO | 3 wires | order No. | --- | --- | --- | --- |
| 10-30 Vdc | PNP NC | 3 wires | order No. | --- | --- | --- | --- |
| 10-30 Vdc | NPN NO | 3 wires | order No. | --- | --- | --- | --- |
| 10-30 Vdc | NPN NC | 3 wires | order No. | --- | --- | --- | --- |
| 10-30 Vdc | PNP NO-NC | 4 wires | order No. | --- | --- | --- | --- |
| 10-30 Vdc | NPN NO-NC | 4 wires | order No. | --- | --- | --- | --- |
| 10-30 Vdc | NO-NC | 2 wires | order No. | --- | --- | --- | --- |
| 20-250 Vac/Vdc | NO | 2 wires | order No. | --- | --- | --- | --- |
| 20-250 Vac/Vdc | NC | 2 wires | order No. | --- | --- | --- | --- |
| 20-250 Vac | NO | 2/3wires | order No. | --- | --- | --- | --- |
| 10-30 Vdc | Analog 0-20 mA | 3 wires | order No. | --- | --- | --- | --- |
| NAMUR amplifier | NAMUR | 2 wires | order No. | IS-30-A20-S2 95B064630 | IS-30-A20-03 95B064610 | IS-30-C20-S2 95B064640 | IS-30-C20-03 95B064620 |

| | | | | |
|---------------------------|---|---|---|---|
| Nominal Voltage | 7,7 + 9 V DC | 7,7 + 9 V DC | 7,7 + 9 V DC | 7,7 + 9 V DC |
| Residual Ripple | < 10% | < 10% | < 10% | < 10% |
| Hysteresis | < 10% | < 10% | < 10% | < 10% |
| Max. Output Current | < 3 mA (metal absent) | < 3 mA (metal absent) | < 3 mA (metal absent) | < 3 mA (metal absent) |
| Min. Output Current | < 1 mA (metal present) | < 1 mA (metal present) | < 1 mA (metal present) | < 1 mA (metal present) |
| Residual Current | --- | --- | --- | --- |
| Voltage Drop | --- | --- | --- | --- |
| Operation Led | --- | --- | --- | --- |
| Switching Frequency | 500 Hz | 500 Hz | 500 Hz | 500 Hz |
| Start Up Delay | --- | --- | --- | --- |
| Repeatability | < 3% | < 3% | < 3% | < 3% |
| Short Circuit Protection | Present (self-resetting) | Present (self-resetting) | Present (self-resetting) | Present (self-resetting) |
| Electric Protection | Against polarity reversal inductive loads | Against polarity reversal inductive loads | Against polarity reversal inductive loads | Against polarity reversal inductive loads |
| Temperature Limit | (-25 ... +60 °C) | (-25 ... +60 °C) | (-25 ... +60 °C) | (-25 ... +60 °C) |
| Protection Degree | IP67 | IP67 | IP67 | IP67 |
| Cable Length | --- | 2 m | --- | 2 m |
| Cable Section | --- | 2 x 0,25 mm ² | --- | 2 x 0,25 mm ² |
| Housing Material | Nickel-plated brass | Nickel-plated brass | Nickel-plated brass | Nickel-plated brass |
| Active face | LCP | LCP | LCP | LCP |
| Tightening torque | 60Nm | 60Nm | 60Nm | 60Nm |
| Weight - Cable Output | --- | 210 g | --- | 210 g |
| Weight - Connector Output | 170 g | --- | 170 g | --- |

2 wires NAMUR



M12 2 wires NAMUR



View of quadripole male connector

CONTACTS CONFIGURATION

| Available | Contacts numbers | | | |
|-----------|------------------|---|---|---|
| | 1 | 2 | 3 | 4 |
| NAMUR | + | | - | |

SQUARE

PBT (resin) or Nickel-plated Brass housing

Operating distance 1.5 ... 15 mm

40x40 mm or 8x8 mm dimension

Cable, M8 connector or Terminal Block

2 or 3 wires

PNP, PNP/NPN, NO, NC, NO/NC

IP67

REDUCTION FACTOR

| | ALUMINUM (25°C) | STAINLESS STEEL AISI316L | COPPER | BRASS |
|--------------------|-----------------|-----------------------------|--------|-------|
| Average red. Fact. | 0,45 | 0,85 | 0,4 | 0,5 |



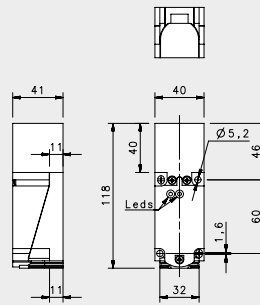
*IS-88 models only



SQUARE



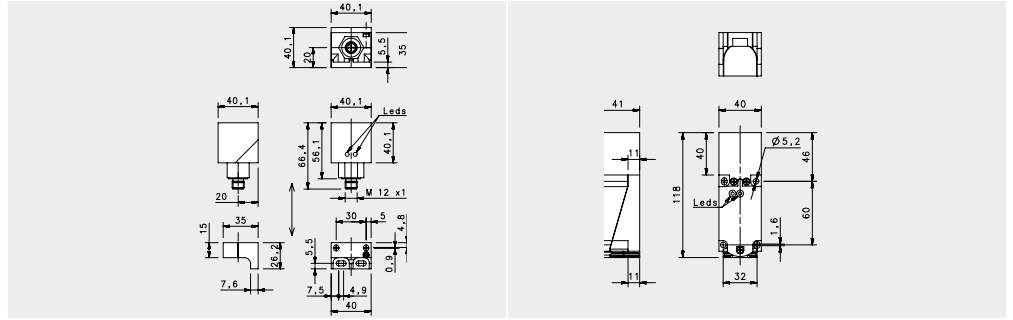
SQUARE 40X40



40X40

| | | | | FLUSH | | NON FLUSH | |
|----------------------------|-------------------|----------|-----------|--|--|----------------|-----|
| | | | | Terminal Block | | Terminal Block | |
| NOMINAL SWITCHING DISTANCE | | | | 15 mm | | 30mm | |
| 10-30 Vdc | PNP/NPN NO-NC | 4 wires | order No. | --- | --- | --- | --- |
| 10-30 Vdc | PNP NO | 3 wires | order No. | --- | --- | --- | --- |
| 10-30 Vdc | PNP NC | 3 wires | order No. | --- | --- | --- | --- |
| 10-30 Vdc | NPN NO | 3 wires | order No. | --- | --- | --- | --- |
| 10-30 Vdc | NPN NC | 3 wires | order No. | --- | --- | --- | --- |
| 10-30 Vdc | PNP NO-NC | 4 wires | order No. | IS-40-W5-S3 95B065240 | IS-40-Y5-S3 95B065280 | | |
| 10-30 Vdc | NPN NO-NC | 4 wires | order No. | IS-40-W6-S3 95B065230 | IS-40-Y6-S3 95B065270 | | |
| 10-30 Vdc | NO-NC | 2 wires | order No. | --- | --- | | |
| 20-250 Vac/Vdc | NO | 2 wires | order No. | --- | --- | | |
| 20-250 Vac/Vdc | NC | 2 wires | order No. | --- | --- | | |
| 20-250 Vac | NO | 2/3wires | order No. | --- | --- | | |
| 10-30 Vdc | Analog 0-20 mA | 3 wires | order No. | --- | --- | | |
| NAMUR amplifier | NAMUR | 2 wires | order No. | --- | --- | | |
| Nominal Voltage | | | | 10-30 Vdc | 10-30 Vdc | | |
| Residual Ripple | | | | < 10% | < 10% | | |
| Hysteresis | | | | < 15% (Sr) | < 15% (Sr) | | |
| Max. Output Current | | | | 200mA | 200mA | | |
| Min. Output Current | | | | --- | --- | | |
| Residual Current | | | | < 0,01 mA | < 0,01 mA | | |
| Voltage Drop | | | | < 1,5V | < 1,5V | | |
| Operation Led | | | | YES | YES | | |
| Switching Frequency | | | | 100 Hz | 100 Hz | | |
| Start Up Delay | | | | --- | --- | | |
| Repeatability | | | | < 1.0% (Sr) | < 1.0% (Sr) | | |
| Short Circuit Protection | | | | Present (self-resetting) | Present (self-resetting) | | |
| Electric Protection | | | | Against polarity reversal inductive loads | Against polarity reversal inductive loads | | |
| Temperature Limit | | | | (-25 ... +75C) | (-25 ... +75 °C) | | |
| Protection Degree | | | | IP67 | IP67 | | |
| Cable Length | | | | --- | --- | | |
| Cable Section | | | | --- | --- | | |
| Housing Material | | | | PBT (RESIN) | PBT (RESIN) | | |
| Weight - Cable Output | | | | --- | --- | | |
| Weight - Connector Output | | | | 262g | 262g | | |

SQUARE 40X40



| SHORT | ANALOG OUTPUT |
|-------|---------------|
| FLUSH | NON FLUSH |

M12 conn.

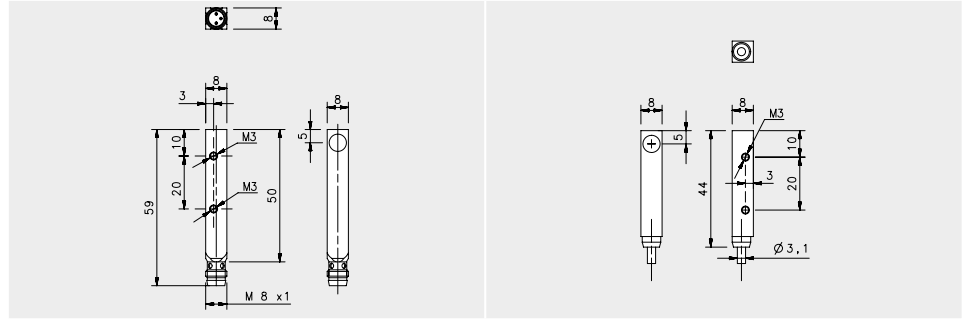
Terminal Block

NOMINAL SWITCHING DISTANCE

| | | | | 15mm | 7-20mm |
|-----------------|----------------|----------|-----------|--------------------------|---------------------------|
| 10-30 Vdc | PNP/NPN NO-NC | 4 wires | order No. | --- | --- |
| 10-30 Vdc | PNP NO | 3 wires | order No. | --- | --- |
| 10-30 Vdc | PNP NC | 3 wires | order No. | --- | --- |
| 10-30 Vdc | NPN NO | 3 wires | order No. | --- | --- |
| 10-30 Vdc | NPN NC | 3 wires | order No. | --- | --- |
| 10-30 Vdc | PNP NO-NC | 4 wires | order No. | IS-40-X5-S2 95B065320 | --- |
| 10-30 Vdc | NPN NO-NC | 4 wires | order No. | IS-40-X6-S2 95B065310 | --- |
| 10-30 Vdc | NO-NC | 2 wires | order No. | --- | --- |
| 20-250 Vac/Vdc | NO | 2 wires | order No. | --- | --- |
| 20-250 Vac/Vdc | NC | 2 wires | order No. | --- | --- |
| 20-250 Vac | NO | 2/3wires | order No. | --- | --- |
| 10-30 Vdc | Analog 0-20 mA | 3 wires | order No. | --- | IS-40-C11-S3 95B065330 |
| NAMUR amplifier | NAMUR | 2 wires | order No. | --- | --- |

| | | |
|---------------------------|---|---|
| Nominal Voltage | 10-30 Vdc | 18-30 Vdc |
| Residual Ripple | < 10% | < 10% |
| Hysteresis | < 15% (Sr) | < 10% (Sr) |
| Max. Output Current | 200mA | 0-20mA/200 Ω Max. |
| Min. Output Current | --- | --- |
| Residual Current | < 0,01mA | --- |
| Voltage Drop | < 1,5V | --- |
| Operation Led | YES | --- |
| Switching Frequency | 100 Hz | 100 Hz |
| Start Up Delay | --- | --- |
| Repeatability | < 1.0% (Sr) | 0,02 mm |
| Short Circuit Protection | Present (self-resetting) | Present (self-resetting) |
| Electric Protection | Against polarity reversal inductive loads | Against polarity reversal inductive loads |
| Temperature Limit | (-25... +70 °C) | (-25 ... +70 °C) |
| Protection Degree | IP67 | IP67 |
| Cable Length | --- | --- |
| Cable Section | --- | --- |
| Housing Material | PBT (RESIN) | PBT (RESIN) |
| Weight - Cable Output | --- | --- |
| Weight - Connector Output | 170 g | 242g |

SQUARE 8X8



SHORT

FLUSH

| | | | | M8 conn | cable |
|---------------------------|-------------------|-----------|-----------|--|--|
| | | | | 1,5mm | 1,5mm |
| 10-30 Vdc | PNP/NPN NO-NC | 4 wires | order No. | --- | --- |
| 10-30 Vdc | PNP NO | 3 wires | order No. | IS-88-Q1-S1 95B060840 | IS-88-Q1-03 95B060830 |
| 10-30 Vdc | PNP NC | 3 wires | order No. | --- | --- |
| 10-30 Vdc | NPN NO | 3 wires | order No. | --- | --- |
| 10-30 Vdc | NPN NC | 3 wires | order No. | --- | --- |
| 10-30 Vdc | PNP NO-NC | 4 wires | order No. | --- | --- |
| 10-30 Vdc | NPN NO-NC | 4 wires | order No. | --- | --- |
| 10-30 Vdc | NO-NC | 2 wires | order No. | --- | --- |
| 20-250 Vac/Vdc | NO | 2 wires | order No. | --- | --- |
| 20-250 Vac/Vdc | NC | 2 wires | order No. | --- | --- |
| 20-250 Vac | NO | 2/3 wires | order No. | --- | --- |
| 10-30 Vdc | Analog 0-20 mA | 3 wires | order No. | --- | --- |
| NAMUR amplifier | NAMUR | 2 wires | order No. | --- | --- |
| Nominal Voltage | | | | 10-30 Vdc | 10-30 Vdc |
| Residual Ripple | | | | < 10% | < 10% |
| Hysteresis | | | | < 10% (Sr) | < 10% (Sr) |
| Max. Output Current | | | | 200mA | 200mA |
| Min. Output Current | | | | --- | --- |
| Residual Current | | | | --- | --- |
| Voltage Drop | | | | < 1,2V | < 1,2V |
| Operation Led | | | | Yellow | Yellow |
| Switching Frequency | | | | 500 Hz | 500 Hz |
| Start Up Delay | | | | 75 ms | 75 ms |
| Repeatability | | | | < 3% | < 3% |
| Short Circuit Protection | | | | Present (self-resetting) | Present (self-resetting) |
| Electric Protection | | | | Against polarity reversal inductive loads | Against polarity reversal inductive loads |
| Temperature Limit | | | | (-25 ... +70 °C) | (-25 ... +70 °C) |
| Protection Degree | | | | IP67 | IP67 |
| Cable Length | | | | --- | 2 m |
| Cable Section | | | | --- | 3x0,14mm ² |
| Housing Material | | | | nickel-plated brass | nickel-plated brass |
| Weight - Cable Output | | | | --- | 80 g |
| Weight - Connector Output | | | | 40 g | --- |

CAPACITIVE

Capacitive sensors are noncontact proximity devices suitable for detecting metals, nonmetals, solids, and liquids. The oscillating circuit is influenced by variations in capacity. When any material comes close to the active face, the capacity of the sensor varies and, if the threshold distance is passed, the sensor switches the state of its outputs. Like for the inductive sensors, the operating distance is calculated using a square piece of Fe37, with 1 mm thickness. The variation of the capacitance is due to the conductivity or non-conductivity of the different materials. Conductive materials change the capacitance of the sensor, while non-conductive materials change the dielectric constant of the reference capacitor; the sensor feels the variation of the generated electric field by its active sensing face.

Datalogic offers a basic range for the Capacitive sensors, M18 and M30 tubular housing, in Direct or Alternated Current, in nickel-plated brass or plastic housing, with timer and sensitivity adjustment trimmer, equipped with the industrial standard outputs, suitable for the most common applications of detection and in the filling level control of the materials.

Nickel plated brass

M18, M30

Basic series (NO-NC)

Capacitive A.C. series (plastic housing)

Multi-voltage series (SPDT relay)

Operating distance: 5...25 mm

Cable or M8 connector

2,4,6 wires

PNP or NPN, N.O. and N.C. outputs, SPDT relay

Delay ON or delay OFF model

IP67 protection

| MATERIALS | REDUCTION FACTOR |
|--------------|------------------|
| Metal (Fe37) | 1xSn |
| Water | 1xSn |
| P.V.C. | 0.5xSn |
| Glass | 0.5xSn |
| Wood | 0.4xSn |

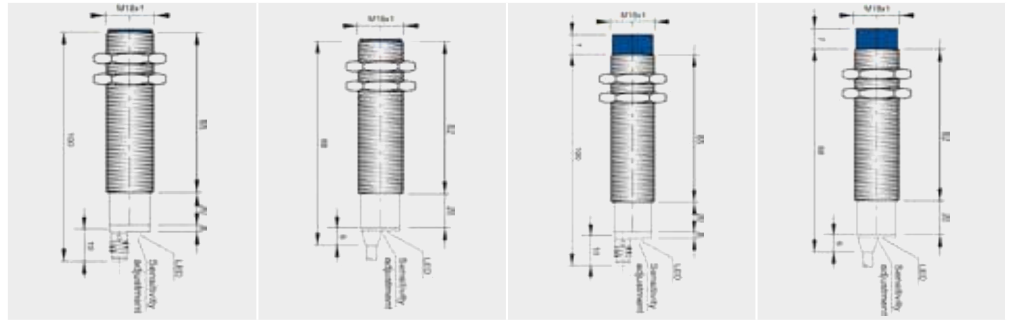




CAPACITIVE

BASIC, CAPACITIVE A.C., MULTIVOLTAGE

CAPACITIVE BASIC M18

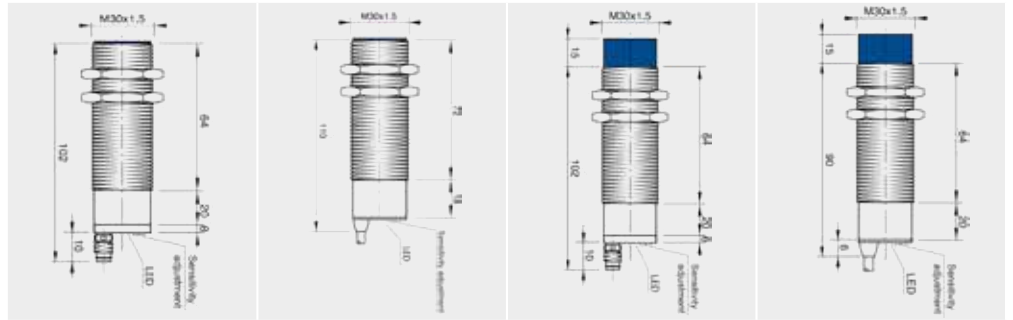


STANDARD

| | | | | FLUSH | | NON FLUSH | |
|----------------------------|----------------|----------|-----------|---------------------|-------------------|---------------------|-------------------|
| | | | | M8 conn | cable | M8 conn | cable |
| NOMINAL SWITCHING DISTANCE | | | | 1...5 mm | 1...5 mm | 1...10 mm | 1...10 mm |
| 10-30 Vdc | PNP/NPN NO-NC | 4 wires | order No. | --- | --- | --- | --- |
| 10-30 Vdc | PNP NO | 3 wires | order No. | --- | --- | --- | --- |
| 10-30 Vdc | PNP NC | 3 wires | order No. | --- | --- | --- | --- |
| 10-30 Vdc | NPN NO | 3 wires | order No. | --- | --- | --- | --- |
| 10-30 Vdc | NPN NC | 3 wires | order No. | --- | --- | --- | --- |
| 10-30 Vdc | PNP NO-NC | 4 wires | order No. | CS08K2 958901040 | CS08 958901020 | CS14K2 958901270 | CS14 958901120 |
| 10-30 Vdc | NPN NO-NC | 4 wires | order No. | CS07K2 958901000 | CS07 958901160 | CS13K2 958901250 | CS13 958901100 |
| 10-30 Vdc | NO-NC | 2 wires | order No. | --- | --- | --- | --- |
| 20-250 Vac/Vdc | NO | 2 wires | order No. | --- | --- | --- | --- |
| 20-250 Vac/Vdc | NC | 2 wires | order No. | --- | --- | --- | --- |
| 20-250 Vac | NO | 2/3wires | order No. | --- | --- | --- | --- |
| 10-30 Vdc | Analog 0-20 mA | 3 wires | order No. | --- | --- | --- | --- |
| NAMUR amplifier | NAMUR | 2 wires | order No. | --- | --- | --- | --- |

| | | | | |
|---------------------------|---|---|---|---|
| Nominal Voltage | 12-30Vdc(-15/10%) | 12-30Vdc(-15/10%) | 12-30Vdc(-15/10%) | 12-30Vdc(-15/10%) |
| Residual Ripple | <10% | <10% | <10% | <10% |
| Hysteresis | depends on the sensing distance | depends on the sensing distance | depends on the sensing distance | depends on the sensing distance |
| Max. Output Current | 200 mA | 200 mA | 200 mA | 200 mA |
| Residual Current | < 10 mA | < 10 mA | < 10 mA | < 10 mA |
| Voltage Drop | < 1,8 V (I=100 mA) | < 1,8 V (I=100 mA) | < 1,8 V (I=100 mA) | < 1,8 V (I=100 mA) |
| Setting | sensitivity adjustment trimmer | sensitivity adjustment trimmer | sensitivity adjustment trimmer | sensitivity adjustment trimmer |
| Operation Led | Yellow | Yellow | Yellow | Yellow |
| Switching Frequency | 10 Hz | 10 Hz | 10 Hz | 10 Hz |
| Start Up Delay | < 100 ms | < 100 ms | < 100 ms | < 100 ms |
| Repeatability | ≤ 5% | ≤ 5% | ≤ 5% | ≤ 5% |
| Short Circuit Protection | Present(self-resetting) | Present(self-resetting) | Present(self-resetting) | Present(self-resetting) |
| Electric Protections | Against polarity reversal inductive loads | Against polarity reversal inductive loads | Against polarity reversal inductive loads | Against polarity reversal inductive loads |
| Temperature Limits | - 25 +70 C | - 25 +70 C | - 25 +70 C | - 25 +70 C |
| Protection Degree | IP67 | IP67 | IP67 | IP67 |
| Cable Length | --- | 2 m | --- | 2 m |
| Cable Section | --- | 4x 0,25 mm ² | --- | 4x 0,25 mm ² |
| Housing Material | Nickel-plated brass | Nickel-plated brass | Nickel-plated brass | Nickel-plated brass |
| Weight - Cable Output | --- | 160 g | --- | 160 g |
| Weight - Connector Output | 120 g | --- | 120 g | --- |

CAPACITIVE BASIC M30



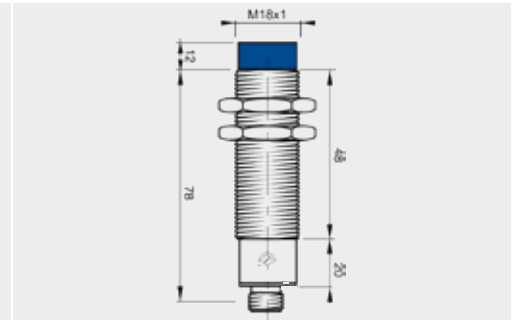
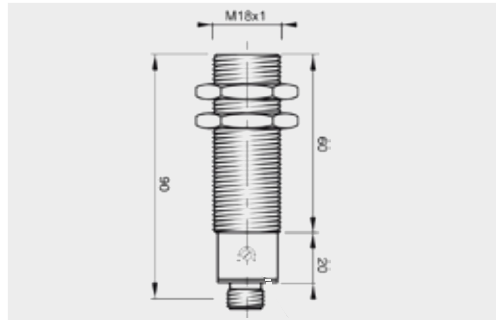
STANDARD

NOMINAL SWITCHING DISTANCE

| | | | | FLUSH | | NON FLUSH | |
|-----------------|----------------|----------|-----------|---------------------|-------------------|---------------------|-------------------|
| | | | | M8 conn | cable | M8 conn | cable |
| | | | | 1...15 mm | 1...15 mm | 1...25 mm | 1...25 mm |
| 10-30 Vdc | PNP/NPN NO-NC | 4 wires | order No. | --- | --- | --- | --- |
| 10-30 Vdc | PNP NO | 3 wires | order No. | --- | --- | --- | --- |
| 10-30 Vdc | PNP NC | 3 wires | order No. | --- | --- | --- | --- |
| 10-30 Vdc | NPN NO | 3 wires | order No. | --- | --- | --- | --- |
| 10-30 Vdc | NPN NC | 3 wires | order No. | --- | --- | --- | --- |
| 10-30 Vdc | PNP NO-NC | 4 wires | order No. | CS10K2 958901080 | CS10 958901060 | CS16K2 958901330 | CS16 958901140 |
| 10-30 Vdc | NPN NO-NC | 4 wires | order No. | CS09K2 958901230 | CS09 958901180 | CS15K2 958901300 | CS15 958901200 |
| 10-30 Vdc | NO-NC | 2 wires | order No. | --- | --- | --- | --- |
| 20-250 Vac/Vdc | NO | 2 wires | order No. | --- | --- | --- | --- |
| 20-250 Vac/Vdc | NC | 2 wires | order No. | --- | --- | --- | --- |
| 20-250 Vac | NO | 2/3wires | order No. | --- | --- | --- | --- |
| 10-30 Vdc | Analog 0-20 mA | 3 wires | order No. | --- | --- | --- | --- |
| NAMUR amplifier | NAMUR | 2 wires | order No. | --- | --- | --- | --- |

| | | | | |
|---------------------------|---|---|---|---|
| Nominal Voltage | 12-30Vdc(-15/10%) | 12-30Vdc(-15/10%) | 12-30Vdc(-15/10%) | 12-30Vdc(-15/10%) |
| Residual Ripple | <10% | <10% | <10% | <10% |
| Hysteresis | depends on the sensing distance | depends on the sensing distance | depends on the sensing distance | depends on the sensing distance |
| Max. Output Current | 200 mA | 200 mA | 200 mA | 200 mA |
| Residual Current | < 10 mA | < 10 mA | < 10 mA | < 10 mA |
| Voltage Drop | < 1,8 V (I=100 mA) | < 1,8 V (I=100 mA) | < 1,8 V (I=100 mA) | < 1,8 V (I=100 mA) |
| Setting | sensitivity adjustment trimmer | sensitivity adjustment trimmer | sensitivity adjustment trimmer | sensitivity adjustment trimmer |
| Operation Led | Yellow | Yellow | Yellow | Yellow |
| Switching Frequency | 10 Hz | 10 Hz | 10 Hz | 10 Hz |
| Start Up Delay | < 100 ms | < 100 ms | < 100 ms | < 100 ms |
| Repeatability | ≤ 5% | ≤ 5% | ≤ 5% | ≤ 5% |
| Short Circuit Protection | Present(self-resetting) | Present(self-resetting) | Present(self-resetting) | Present(self-resetting) |
| Electric Protections | Against polarity reversal inductive loads | Against polarity reversal inductive loads | Against polarity reversal inductive loads | Against polarity reversal inductive loads |
| Temperature Limits | - 25 +70 C | - 25 +70 C | - 25 +70 C | - 25 +70 C |
| Protection Degree | IP67 | IP67 | IP67 | IP67 |
| Cable Length | --- | 2 m | --- | 2 m |
| Cable Section | --- | 4x 0,25 mm ² | --- | 4x 0,25 mm ² |
| Housing Material | Nickel-plated brass | Nickel-plated brass | Nickel-plated brass | Nickel-plated brass |
| Weight - Cable Output | --- | 250 g | --- | 250 g |
| Weight - Connector Output | 210 g | --- | 210 g | --- |

CAPACITIVE A.C. M18



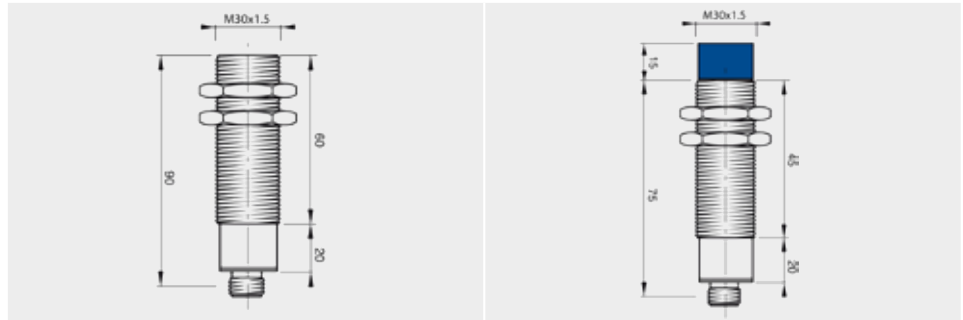
STANDARD

| | | | | FLUSH | NON FLUSH |
|----------------------------|--|--|--|----------|-----------|
| | | | | M12 conn | M12 conn |
| NOMINAL SWITCHING DISTANCE | | | | 2...8 mm | 2...15 mm |

| NOMINAL SWITCHING DISTANCE | | | | 2...8 mm | 2...15 mm |
|----------------------------|----------------|----------|-----------|----------------------|----------------------|
| 10-30 Vdc | PNP/NPN NO-NC | 4 wires | order No. | --- | --- |
| 10-30 Vdc | PNP NO | 3 wires | order No. | --- | --- |
| 10-30 Vdc | PNP NC | 3 wires | order No. | --- | --- |
| 10-30 Vdc | NPN NO | 3 wires | order No. | --- | --- |
| 10-30 Vdc | NPN NC | 3 wires | order No. | --- | --- |
| 10-30 Vdc | PNP NO-NC | 4 wires | order No. | --- | --- |
| 10-30 Vdc | NPN NO-NC | 4 wires | order No. | --- | --- |
| 10-30 Vdc | NO-NC | 2 wires | order No. | --- | --- |
| 20-250 Vac/Vdc | NO | 2 wires | order No. | CSP40K4 958901380 | CSP41K4 958901390 |
| 20-250 Vac/Vdc | NC | 2 wires | order No. | --- | --- |
| 20-250 Vac | NO | 2/3wires | order No. | --- | --- |
| 10-30 Vdc | Analog 0-20 mA | 3 wires | order No. | --- | --- |
| NAMUR amplifier | NAMUR | 2 wires | order No. | --- | --- |

| | 20-250 Vac (-15/10%)-5A source current | 20-250 Vac (-15/10%)-5A source current |
|---------------------------|---|---|
| Nominal Voltage | 20-250 Vac (-15/10%)-5A source current | 20-250 Vac (-15/10%)-5A source current |
| Residual Ripple | <10% | <10% |
| Hysteresis | < 15% | < 15% |
| Max. Output Current | 300 mA | 300 mA |
| Min. Output Current | 2,5 mA | 2,5 mA |
| Residual Current | < 2,5 mA | < 2,5 mA |
| Setting | sensitivity adjustment trimmer | sensitivity adjustment trimmer |
| Operation Led | Yellow | Yellow |
| Switching Frequency | 25 Hz | 25 Hz |
| Start Up Delay | --- | --- |
| Repeatability | < 5% | < 5% |
| Short Circuit Protection | Present(self-resetting) | Present(self-resetting) |
| Electric Protection | Against polarity reversal inductive loads | Against polarity reversal inductive loads |
| Temperature Limit | - 25 +70 C | - 25 +70 C |
| Protection Degree | IP67 | IP67 |
| Cable Length | --- | --- |
| Cable Section | --- | --- |
| Housing Material | Plastic (PBT) | Plastic (PBT) |
| Weight - Cable Output | --- | --- |
| Weight - Connector Output | 80 g | 80 g |

CAPACITIVE A.C. M30

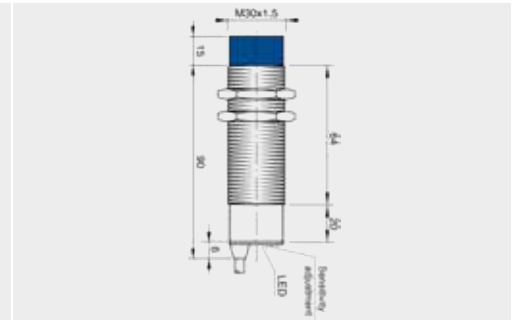
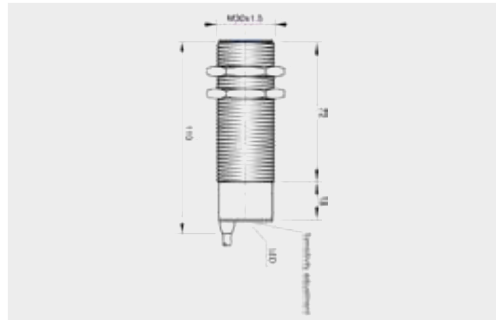


STANDARD

| | | | | FLUSH | NON FLUSH |
|-----------------|-------------------|-----------|-----------|----------------------|----------------------|
| | | | | M12 conn | M12 conn |
| | | | | 2...20 mm | 2...30 mm |
| 10-30 Vdc | PNP/NPN NO-NC | 4 wires | order No. | --- | --- |
| 10-30 Vdc | PNP NO | 3 wires | order No. | --- | --- |
| 10-30 Vdc | PNP NC | 3 wires | order No. | --- | --- |
| 10-30 Vdc | NPN NO | 3 wires | order No. | --- | --- |
| 10-30 Vdc | NPN NC | 3 wires | order No. | --- | --- |
| 10-30 Vdc | PNP NO-NC | 4 wires | order No. | --- | --- |
| 10-30 Vdc | NPN NO-NC | 4 wires | order No. | --- | --- |
| 10-30 Vdc | NO-NC | 2 wires | order No. | --- | --- |
| 20-250 Vac/Vdc | NO | 2 wires | order No. | CSP50K4 958901400 | CSP51K4 958901410 |
| 20-250 Vac/Vdc | NC | 2 wires | order No. | --- | --- |
| 20-250 Vac | NO | 2/3 wires | order No. | --- | --- |
| 10-30 Vdc | Analog 0-20 mA | 3 wires | order No. | --- | --- |
| NAMUR amplifier | NAMUR | 2 wires | order No. | --- | --- |

| | 20-250 Vac (-15/10%)-5A source current | 20-250 Vac (-15/10%)-5A source current |
|---------------------------|--|--|
| Nominal Voltage | 20-250 Vac (-15/10%)-5A source current | 20-250 Vac (-15/10%)-5A source current |
| Residual Ripple | <10% | <10% |
| Hysteresis | < 15% | < 15% |
| Max. Output Current | 300 mA | 300 mA |
| Min. Output Current | 2,5 mA | 2,5 mA |
| Residual Current | < 2,5 mA | < 2,5 mA |
| Setting | sensitivity adjustment trimmer | sensitivity adjustment trimmer |
| Operation Led | Yellow | Yellow |
| Switching Frequency | 25 Hz | 25 Hz |
| Start Up Delay | --- | --- |
| Repeatability | < 5% | < 5% |
| Short Circuit Protection | Present(self-resetting) | Present(self-resetting) |
| Electric Protection | Against polarity reversal inductive loads | Against polarity reversal inductive loads |
| Temperature Limit | - 25 +70 C | - 25 +70 C |
| Protection Degree | IP67 | IP67 |
| Cable Length | --- | --- |
| Cable Section | --- | --- |
| Housing Material | Plastic (PBT) | Plastic (PBT) |
| Weight - Cable Output | --- | --- |
| Weight - Connector Output | 200 g | 200 g |

CAPACITIVE MULTIVOLTAGE M30

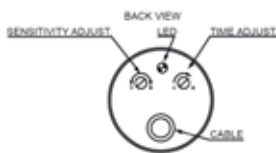
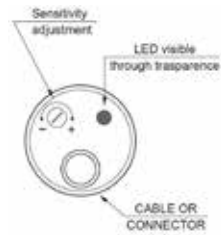


STANDARD (TIMER TRIMMER)

| | | | | FLUSH | NON FLUSH |
|----------------------------|---------------------------|---------|-----------|----------------------|----------------------|
| | | | | M12 conn | M12 conn |
| | | | | 20 mm | 30 mm |
| NOMINAL SWITCHING DISTANCE | | | | | |
| 10-30 Vdc | PNP/NPN NO-NC | 4 wires | order No. | --- | --- |
| 10-30 Vdc | PNP NO | 3 wires | order No. | --- | --- |
| 10-30 Vdc | PNP NC | 3 wires | order No. | --- | --- |
| 10-30 Vdc | NPN NO | 3 wires | order No. | --- | --- |
| 10-30 Vdc | NPN NC | 3 wires | order No. | --- | --- |
| 10-30 Vdc | PNP NO-NC | 4 wires | order No. | --- | --- |
| 10-30 Vdc | NPN NO-NC | 4 wires | order No. | --- | --- |
| 10-30 Vdc | NO-NC | 2 wires | order No. | --- | --- |
| 20-250 Vac/Vdc | NO | 2 wires | order No. | --- | --- |
| 18...230 VAC/DC | relay SPDT | 6 wires | order No. | CS31 958901150 | CS32 958901220 |
| 18...230 Vac/dc | relay SPDT (delay ON) | 6 wires | order No. | CS32TD5 958901360 | CS31TD5 958901350 |
| 18...230 VAC/DC | relay SPDT (delay OFF) | 6 wires | order No. | CS32TE5 958901370 | CS31TE5 958901210 |
| NAMUR amplifier | NAMUR | 2 wires | order No. | --- | --- |

| | | |
|---------------------------|--|--|
| Nominal Voltage | 18-230Vac/dc (-15/10%) | 18-230Vac/dc (-15/10%) |
| Residual Ripple | <10% | <10% |
| Hysteresis | <10% | <10% |
| Max. Output Current | 3A 30 Vac- 1A 220 Vac (90 W, 360 VA) | 3A 30 Vac- 1A 220 Vac (90 W, 360 VA) |
| Absorption | 2,5 VA | 2,5 VA |
| Residual Current | --- | --- |
| Setting | sensitivity and time adj. trimmer | sensitivity and time adj. trimmer |
| Operation Led | Yellow | Yellow |
| Switching Frequency | 10 Hz | 10 Hz |
| Start Up Delay | <300 ms | <300 ms |
| Repeatability | <5% | <5% |
| Short Circuit Protection | Present (self-resetting) | Present (self-resetting) |
| Electric Protection | Against polarity reversal inductive loads | Against polarity reversal inductive loads |
| Temperature Limit | - 25 +70 C | - 25 +70 C |
| Protection Degree | IP65 | IP65 |
| Cable Length | 2 m | 2 m |
| Cable Section | 6x0,30 mm ² | 6x0,30 mm ² |
| Housing Material | Nickel-plated brass | Nickel-plated brass |
| Weight - Cable Output | 250 g | 250 g |
| Weight - Connector Output | --- | --- |

CAPACITIVE SETTINGS & CONNECTIONS



Sensitivity adjustment

The sensitivity adjustment must be done when the sensor is installed in a definite and steady position. The regulation must be done in a position half way between minimum and maximum, because, being air dielectric, a strong humidity variation could cause, if the regulation is very light, nuisance tripping. The sensing distance of the sensor depends on the materials to detect, on its dimension and conductivity. The distance could change according to temperature variations.

Timer adjustment

The timer trimmer allows to set a delay, on the activation (delay ON) or in the de-activation of the output, depends on the model, after the detection of the object. The output will remain active (or inactive) proportionally to the setting point of the screw, starting from 1 second up to 5 minutes.

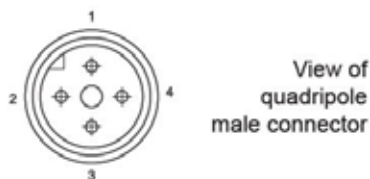
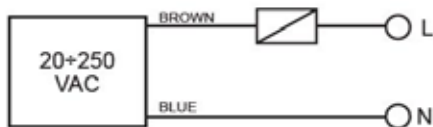
M8 4-pole NO-NC models



CONTACTS CONFIGURATION

| Output | Contacts numbers | | | |
|------------------|------------------|----|---|----|
| | 1 | 2 | 3 | 4 |
| NPN/PNP NO+NC | + | NC | - | NO |

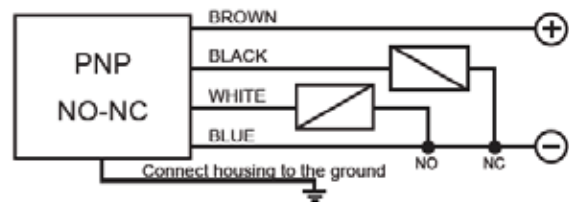
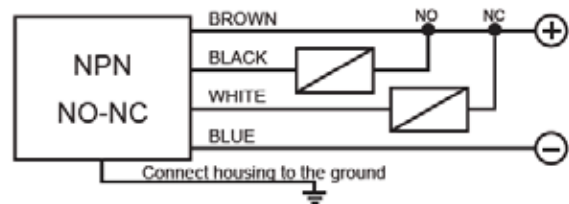
2 wires Vac models



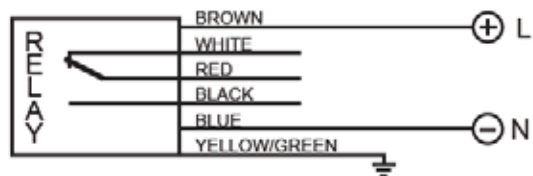
CONTACTS CONFIGURATION

| Available | Contacts numbers | | | |
|-----------|------------------|---|---|---|
| | 1 | 2 | 3 | 4 |
| NO | L | | N | |

4 wires NO-NC Vdc model



6 wires Multivoltage models



CABLES, CONNECTORS & ACCESSORIES

2, 3, 4 wires

M12, M8 connector

Axial or radial 90°

Shielded or unshielded

Double key

A.C. cable

3, 5, 7, 10, 15, 25m cable



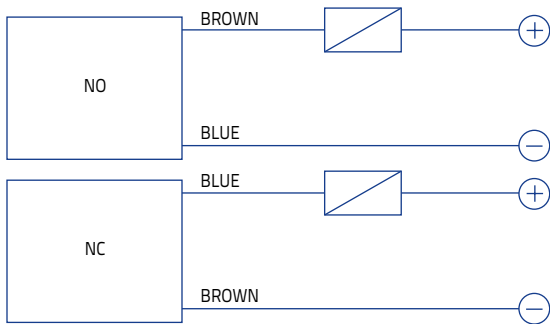
CABLES, CONNECTORS & ACCESSORIES



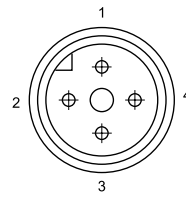
CABLES, CONNECTORS & ACCESSORIES

2 WIRES SENSORS

2 WIRES NO-NC



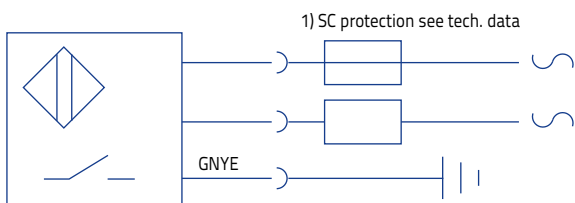
WARNING: The load can be indifferently connected in series to the blue wire or to the brown wire to simulate NPN or PNP functioning logic.



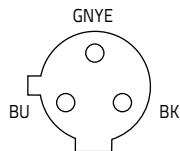
M12 connector

| CONTACTS CONFIGURATION | | | | |
|------------------------|------------------|---|---|---|
| Available | Contacts numbers | | | |
| | 1 | 2 | 3 | 4 |
| NO | + | | - | |
| NC | | | + | |

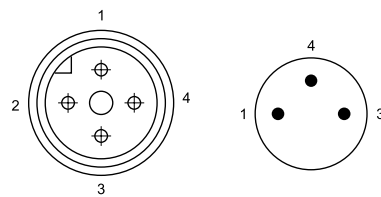
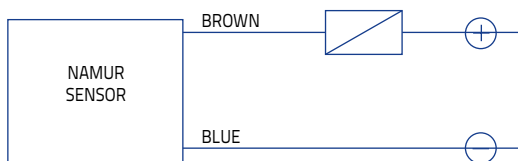
INDUCTIVE AC



Double key connector for inductive AC sensors



NAMUR



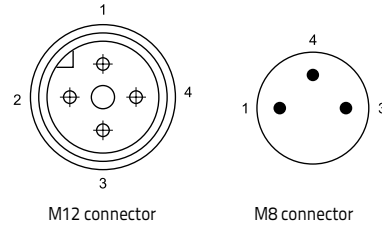
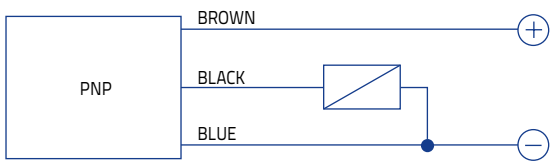
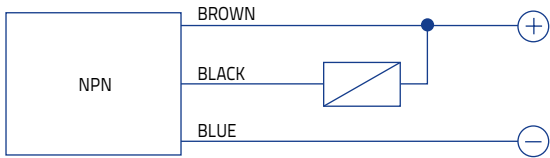
M12 connector

M8 connector

| CONTACTS CONFIGURATION | | | | |
|------------------------|------------------|---|---|---|
| Available | Contacts numbers | | | |
| | 1 | 2 | 3 | 4 |
| NAMUR | + | | - | |

3 WIRES SENSORS

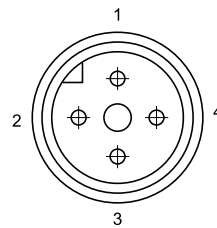
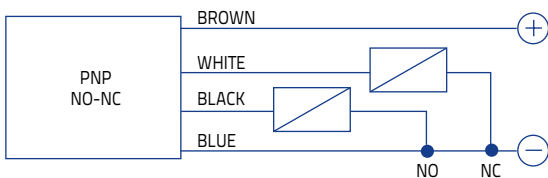
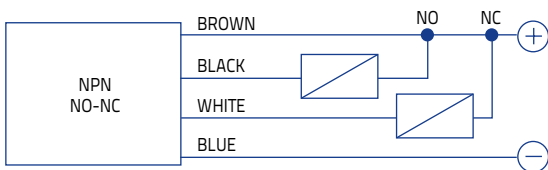
3 WIRES PNP or NPN, NO or NC



| CONTACTS CONFIGURATION | | | | |
|------------------------|------------------|---|---|-------|
| Available | Contacts numbers | | | |
| | 1 | 2 | 3 | 4 |
| (NO or NC) | + | | - | NO/NC |

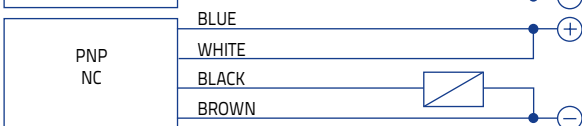
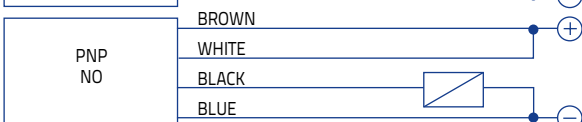
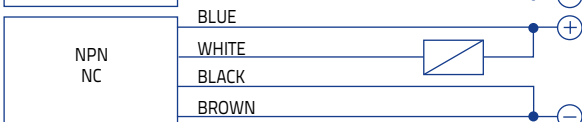
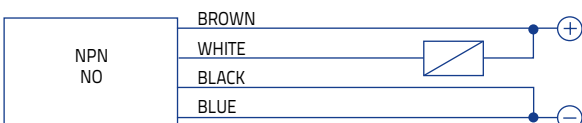
4 WIRES SENSORS

4 wires (NO+NC)



| CONTACTS CONFIGURATION | | | | |
|------------------------|------------------|----|---|----|
| Output | Contacts numbers | | | |
| | 1 | 2 | 3 | 4 |
| NO + NC | + | NC | - | NO |

4 wires (PNP/NPN, NO/NC)



| CONTACTS CONFIGURATION | | | | |
|------------------------|------------------|----|---|----|
| Output | Contacts numbers | | | |
| | 1 | 2 | 3 | 4 |
| NPN NO | + | NO | - | - |
| NPN NC | - | NC | + | - |
| PNP NO | + | + | - | NO |
| PNP NC | - | + | + | NC |

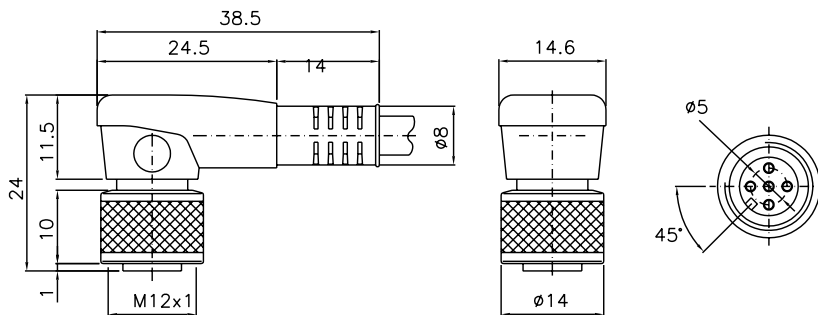
CABLES, CONNECTORS & ACCESSORIES

| CONNECTOR & DIRECTION | WIRES | STYLE | CABLE LENGTH | MODEL | ORDER No. |
|--|---------------|-----------------------------|--|---------------|--------------|
| M8 | | | | | |
| M8 Connector (Axial) | 3 | Grey, P.V.C. | 3 m | CS-B1-01-G-03 | 95A251490 |
| | | | 5 m | CS-B1-01-G-05 | 95A251510 |
| | | P.U.R. | 2 m | CS-B1-01-R-02 | 95A251580 |
| | | | 5 m | CS-B1-01-R-05 | 95A251600 |
| M8 Connector (Radial 90°) | 3 | Grey, P.V.C. | 3 m | CS-B2-01-G-03 | 95A251500 |
| | | | 5 m | CS-B2-01-G-05 | 95A251520 |
| | | P.U.R. | 2 m | CS-B2-01-R-02 | 95A251590 |
| | | | 5 m | CS-B2-01-R-05 | 95A251610 |
| M8 Connector (Axial) | 4 | Grey, P.V.C. | 3 m | CS-B1-02-G-03 | 95A251420 |
| | | | 5 m | CS-B1-02-G-05 | 95A251430 |
| | | | 7 m | CS-B1-02-G-07 | 95A251440 |
| | | | 10 m | CS-B1-02-G-10 | 95A251480 |
| | | P.U.R. | 2 m | CS-B1-02-R-02 | 95A251620 |
| | | | 5 m | CS-B1-02-R-05 | 95A251640 |
| | | | 5 m | CS-B1-02-O-05 | 95A251730 |
| | | | 10 m | CS-B1-02-O-10 | 95A251100 |
| M8 Connector (Radial 90°) | 4 | Grey, PVC | 3 m | CS-B2-02-G-03 | 95A251450 |
| | | | 5 m | CS-B2-02-G-05 | 95A251460 |
| | | | 7 m | CS-B2-02-G-07 | 95A251470 |
| | | | 10 m | CS-B2-02-G-10 | 95A251530 |
| | | P.U.R. | 2 m | CS-B2-02-R-02 | 95A251630 |
| | | | 5 m | CS-B2-02-R-05 | 95A251650 |
| | | | 5 m | CS-B2-02-O-05 | 95A251720 |
| | | | 10 m | CS-B2-02-O-10 | 95A251110 |
| M12 | | | | | |
| M12 Connector (Axial) | 3 | Grey, P.V.C. | 3 m | CS-A1-01-G-03 | 95A251290 |
| | | | 5 m | CS-A1-01-G-05 | 95A251300 |
| | | | 7 m | CS-A1-01-G-07 | 95A251320 |
| | | | 10 m | CS-A1-01-G-10 | 95A251340 |
| M12 Connector (Radial 90°) | 3 | Grey, P.V.C. | 3 m | CS-A2-01-G-03 | 95A251200 |
| | | | 5 m | CS-A2-01-G-05 | 95A251210 |
| | | | 7 m | CS-A2-01-G-07 | 95A251220 |
| | | | 10 m | CS-A2-01-G-10 | 95A251230 |
| | | OIL resistant (CEI 2034-01) | 3 m | CS-A2-01-O-03 | 95A251660 |
| | | | 5 m | CS-A2-01-O-05 | 95A251670 |
| | | | 10 m | CS-A2-01-O-10 | 95A251680 |
| | | | M12 Connector with LED (for PNP N.O. sensors) (Radial 90°) | 3 | Grey, P.V.C. |
| 10 m | CS-A2-11-G-10 | 95A251330 | | | |
| Shielded M12 Connector (Axial) | 3 | Grey, P.V.C. | 10 m | CV-A1-21-G-10 | 95ACC2060 |
| M12 Connector Axial Double Keyd + PE for AC inductive | 3 | Orange, P.V.C. | 2 m | CS-A1-21-R-02 | 95ACC8000 |
| | | | 3 m | CS-A1-21-R-03 | 95ACC8010 |
| | | | 5 m | CS-A1-21-R-05 | 95ACC8020 |
| M12 Connector (Axial) | 4 | Grey, P.V.C. | 3 m | CS-A1-02-G-03 | 95A251380 |
| | | | 5 m | CS-A1-02-G-05 | 95A251270 |
| | | | 7 m | CS-A1-02-G-07 | 95A251280 |
| | | | 10 m | CS-A1-02-G-10 | 95A251390 |
| | | P.U.R. | 2 m | CS-A1-02-R-02 | 95A251540 |
| | | | 5 m | CS-A1-02-R-05 | 95A251560 |
| M12 Connector (Radial 90°) | 4 | Grey, P.V.C. | 3 m | CS-A2-02-G-03 | 95A251360 |
| | | | 5 m | CS-A2-02-G-05 | 95A251240 |
| | | | 7 m | CS-A2-02-G-07 | 95A251245 |
| | | | 10 m | CS-A2-02-G-10 | 95A251260 |
| | | P.U.R. | 2 m | CS-A2-02-R-02 | 95A251550 |
| | | | 5 m | CS-A2-02-R-05 | 95A251570 |
| | | | 5 m | CS-A2-02-O-05 | 95A251690 |
| | | | 10 m | CS-A2-02-O-10 | 95A251700 |
| M12 Connector with LED (for PNP N.O. sensors) (Radial 90°) | 4 | Grey, P.V.C. | 3 m | CS-A2-12-G-03 | 95A251400 |
| | | | 5 m | CS-A2-12-G-05 | 95A251350 |
| | | | 10 m | CS-A2-12-G-10 | 95A251370 |

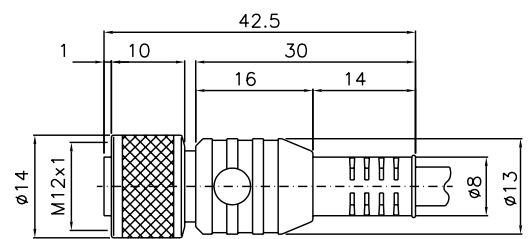
| | | | | | |
|--|---|---------------------|-----------------------|---------------|-----------|
| Shielded M12 Connector (Axial) | 4 | Black, P.V.C. | 3 m | CV-A1-22-B-03 | 95ACC1480 |
| | | | 5 m | CV-A1-22-B-05 | 95ACC1490 |
| | | | 10 m | CV-A1-22-B-10 | 95ACC1500 |
| | | | 15 m | CV-A1-22-B-15 | 95ACC2070 |
| | | | 25 m | CV-A1-22-B-25 | 95ACC2090 |
| Shielded M12 Connector (Radial 90°) | 4 | Black, P.V.C. | 3 m | CV-A2-22-B-03 | 95ACC1540 |
| | | | 5 m | CV-A2-22-B-05 | 95ACC1550 |
| | | | 10 m | CV-A2-22-B-10 | 95ACC1560 |
| M12 Connector (Axial) | 4 | U.L., Black, P.V.C. | 3 m | CS-A1-02-U-03 | 95ASE1120 |
| | | | 5 m | CS-A1-02-U-05 | 95ASE1130 |
| | | | 10 m | CS-A1-02-U-10 | 95ASE1140 |
| | | | 15 m | CS-A1-02-U-15 | 95ASE1150 |
| | | | 25 m | CS-A1-02-U-25 | 95ASE1160 |
| CONNECTOR (not cabled) | | | | | |
| M12 Connector (Axial) | 4 | Black | Connector- not cabled | CS-A1-02-B-NC | G5085002 |
| M12 Connector (Radial 90°) | 4 | Black | Connector- not cabled | CS-A2-02-B-NC | G5085003 |

CONNECTOR

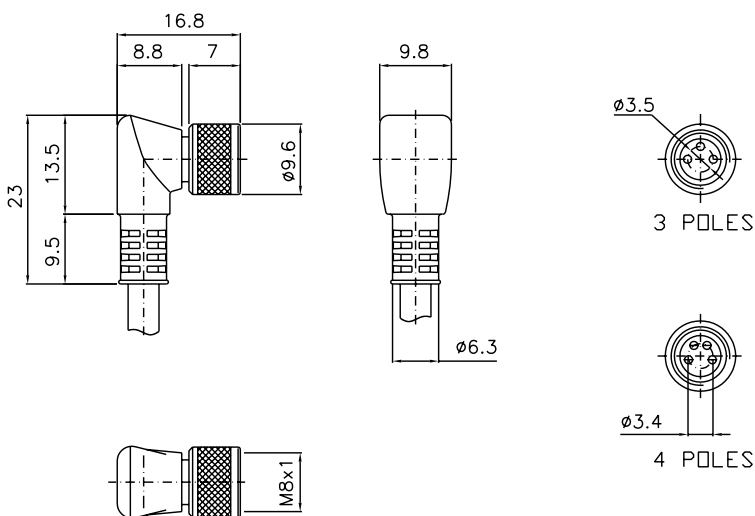
RADIAL M12



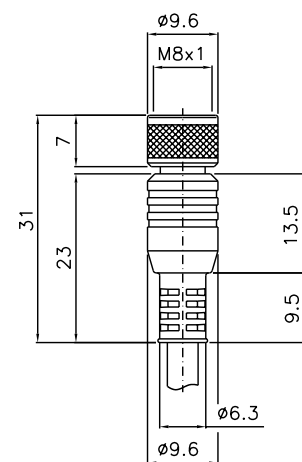
AXIAL M12



RADIAL M8



AXIAL M8

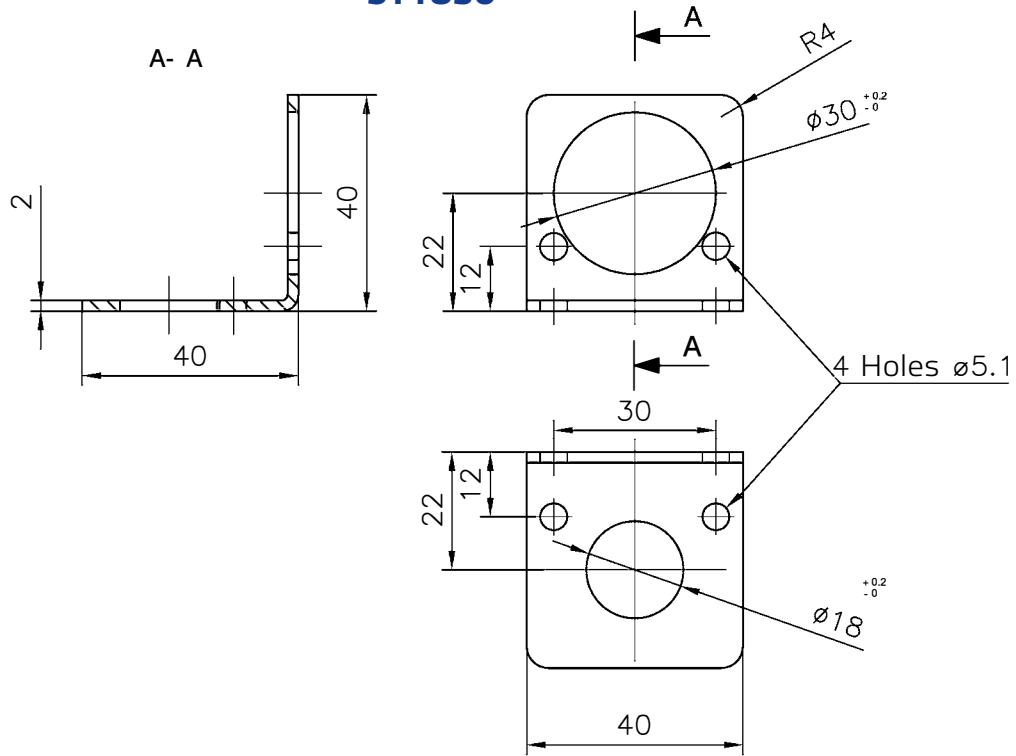


CABLES, CONNECTORS & ACCESSORIES

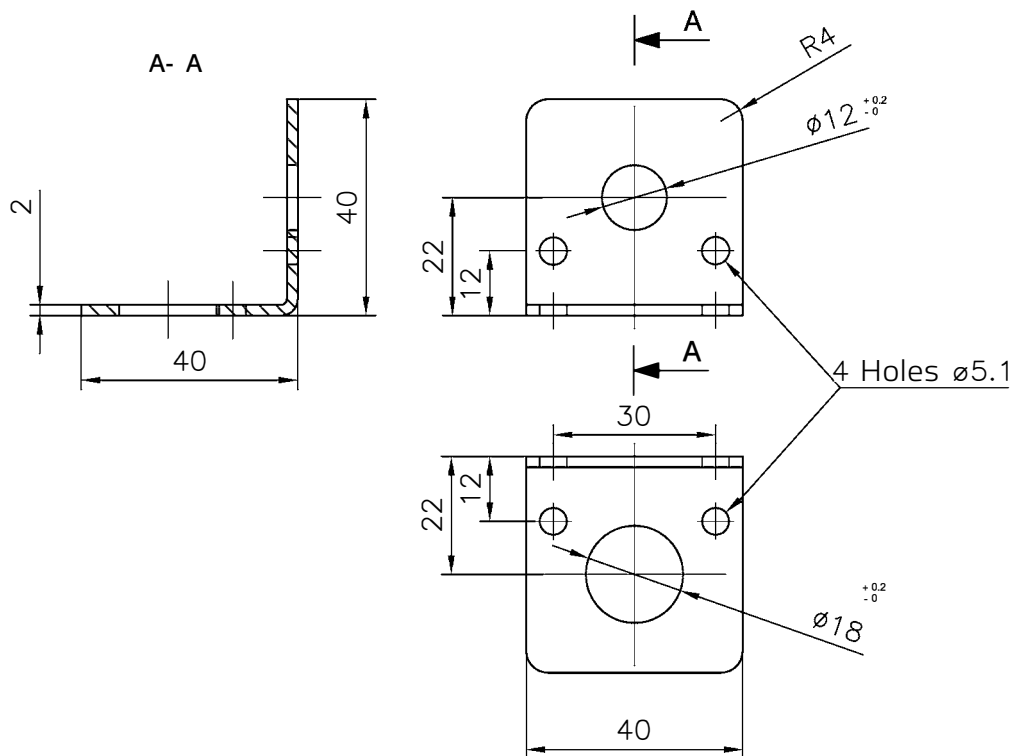
ACCESSORIES SELECTION AND ORDER INFORMATION

| CONNECTOR | TYPE | MATERIAL | CODING | ORDER No. |
|-----------|----------------|-----------------|--------|-----------|
| M12 | fixing bracket | Stainless Steel | ST1218 | 95ACC3340 |
| M18 | fixing bracket | Stainless Steel | ST1218 | 95ACC3340 |
| M30 | fixing bracket | Stainless Steel | ST1830 | 95ACC3350 |

ST1830



ST1218



mm



INDEX

INDUCTIVE

| M4, M5, M6,5 | | | |
|--------------|-----------|-----------------|------|
| SENSOR | Order No. | Category | Pag. |
| IS-04-A1-03 | 95B061011 | STAINLESS STEEL | 34 |
| IS-04-A3-03 | 95B061001 | STAINLESS STEEL | 34 |
| IS-05-A1-03 | 95B061041 | BASIC | 35 |
| IS-05-A1-S1 | 95B061051 | BASIC | 35 |
| IS-05-A20-03 | 95B065410 | NAMUR | 62 |
| IS-05-A3-03 | 95B061021 | BASIC | 35 |
| IS-05-A3-S1 | 95B061031 | BASIC | 35 |
| IS-05-A4-03 | 95B065420 | BASIC | 35 |
| IS-05-E3-03 | 95B065400 | BASIC | 35 |
| IS-65-A1-03 | 95B064730 | BASIC | 10 |
| IS-65-A1-S1 | 95B066050 | BASIC | 10 |
| IS-65-A20-03 | 95B066290 | NAMUR | 63 |
| IS-65-A20-S1 | 95B066310 | NAMUR | 63 |
| IS-65-A2-03 | 95B064770 | BASIC | 10 |
| IS-65-A2-S1 | 95B066090 | BASIC | 10 |
| IS-65-A3-03 | 95B064650 | BASIC | 10 |
| IS-65-A3-S1 | 95B064970 | BASIC | 10 |
| IS-65-A4-03 | 95B064690 | BASIC | 10 |
| IS-65-A4-S1 | 95B066010 | BASIC | 10 |
| IS-65-B1-03 | 95B064750 | BASIC | 11 |
| IS-65-B1-S1 | 95B066070 | BASIC | 11 |
| IS-65-B2-03 | 95B064790 | BASIC | 11 |
| IS-65-B2-S1 | 95B066110 | BASIC | 11 |
| IS-65-B3-03 | 95B064670 | BASIC | 11 |
| IS-65-B3-S1 | 95B064990 | BASIC | 11 |
| IS-65-B4-03 | 95B064710 | BASIC | 11 |
| IS-65-B4-S1 | 95B066030 | BASIC | 11 |
| IS-65-C1-03 | 95B064890 | BASIC | 10 |
| IS-65-C1-S1 | 95B066210 | BASIC | 10 |
| IS-65-C20-03 | 95B066300 | NAMUR | 63 |
| IS-65-C20-S1 | 95B066320 | NAMUR | 63 |
| IS-65-C2-03 | 95B064930 | BASIC | 10 |
| IS-65-C2-S1 | 95B066250 | BASIC | 10 |
| IS-65-C3-03 | 95B064810 | BASIC | 10 |
| IS-65-C3-S1 | 95B066130 | BASIC | 10 |
| IS-65-C4-03 | 95B064850 | BASIC | 10 |
| IS-65-C4-S1 | 95B066170 | BASIC | 10 |
| IS-65-D1-03 | 95B064910 | BASIC | 11 |
| IS-65-D1-S1 | 95B066230 | BASIC | 11 |
| IS-65-D2-03 | 95B064950 | BASIC | 11 |
| IS-65-D2-S1 | 95B066270 | BASIC | 11 |
| IS-65-D3-03 | 95B064830 | BASIC | 11 |
| IS-65-D3-S1 | 95B066150 | BASIC | 11 |
| IS-65-D4-03 | 95B064870 | BASIC | 11 |
| IS-65-D4-S1 | 95B066190 | BASIC | 11 |
| IS-65-G1-03 | 95B064740 | BASIC | 12 |
| IS-65-G1-S1 | 95B066060 | BASIC | 12 |
| IS-65-G2-03 | 95B064780 | BASIC | 12 |
| IS-65-G2-S1 | 95B066100 | BASIC | 12 |
| IS-65-G3-03 | 95B064660 | BASIC | 12 |
| IS-65-G3-S1 | 95B064980 | BASIC | 12 |
| IS-65-G4-03 | 95B064700 | BASIC | 12 |
| IS-65-G4-S1 | 95B066020 | BASIC | 12 |
| IS-65-H1-03 | 95B064900 | BASIC | 13 |
| IS-65-H1-S1 | 95B066220 | BASIC | 13 |
| IS-65-H2-03 | 95B064940 | BASIC | 13 |
| IS-65-H2-S1 | 95B066260 | BASIC | 13 |
| IS-65-H3-03 | 95B064820 | BASIC | 13 |
| IS-65-H3-S1 | 95B066140 | BASIC | 13 |
| IS-65-H4-03 | 95B064860 | BASIC | 13 |
| IS-65-H4-S1 | 95B066180 | BASIC | 13 |
| IS-65-M1-03 | 95B064760 | STAINLESS STEEL | 36 |
| IS-65-M1-S1 | 95B066080 | STAINLESS STEEL | 36 |
| IS-65-M2-03 | 95B064800 | STAINLESS STEEL | 36 |
| IS-65-M2-S1 | 95B066120 | STAINLESS STEEL | 36 |
| IS-65-M3-03 | 95B064680 | STAINLESS STEEL | 36 |
| IS-65-M3-S1 | 95B066000 | STAINLESS STEEL | 36 |
| IS-65-M4-03 | 95B064720 | STAINLESS STEEL | 36 |
| IS-65-M4-S1 | 95B066040 | STAINLESS STEEL | 36 |

| | | | |
|-------------|-----------|-----------------|----|
| IS-65-N1-03 | 95B064920 | STAINLESS STEEL | 37 |
| IS-65-N1-S1 | 95B066240 | STAINLESS STEEL | 37 |
| IS-65-N2-03 | 95B064960 | STAINLESS STEEL | 37 |
| IS-65-N2-S1 | 95B066280 | STAINLESS STEEL | 37 |
| IS-65-N3-03 | 95B064840 | STAINLESS STEEL | 37 |
| IS-65-N3-S1 | 95B066160 | STAINLESS STEEL | 37 |
| IS-65-N4-03 | 95B064880 | STAINLESS STEEL | 37 |
| IS-65-N4-S1 | 95B066200 | STAINLESS STEEL | 37 |

| M8 | | | |
|--------------|-----------|----------|------|
| SENSOR | Order No. | Category | Pag. |
| IS-08-A1-03 | 95B061121 | BASIC | 14 |
| IS-08-A1-S1 | 95B061141 | BASIC | 14 |
| IS-08-A1-S2 | 95B061131 | BASIC | 14 |
| IS-08-A20-03 | 95B066740 | NAMUR | 64 |
| IS-08-A20-03 | 95B066760 | NAMUR | 64 |
| IS-08-A20-S1 | 95B066780 | NAMUR | 64 |
| IS-08-A2-03 | 95B061151 | BASIC | 14 |
| IS-08-A2-S1 | 95B061171 | BASIC | 14 |
| IS-08-A2-S2 | 95B061161 | BASIC | 14 |
| IS-08-A3-03 | 95B061061 | BASIC | 14 |
| IS-08-A3-S1 | 95B061081 | BASIC | 14 |
| IS-08-A3-S2 | 95B061071 | BASIC | 14 |
| IS-08-A4-03 | 95B061091 | BASIC | 14 |
| IS-08-A4-S1 | 95B061111 | BASIC | 14 |
| IS-08-A4-S2 | 95B061101 | BASIC | 14 |
| IS-08-B1-03 | 95B061921 | BASIC | 16 |
| IS-08-B1-S1 | 95B066860 | BASIC | 16 |
| IS-08-B1-S2 | 95B066590 | BASIC | 16 |
| IS-08-B2-03 | 95B061951 | BASIC | 16 |
| IS-08-B2-S1 | 95B066890 | BASIC | 16 |
| IS-08-B2-S2 | 95B066620 | BASIC | 16 |
| IS-08-B3-03 | 95B061861 | BASIC | 16 |
| IS-08-B3-S1 | 95B066810 | BASIC | 16 |
| IS-08-B3-S2 | 95B066530 | BASIC | 16 |
| IS-08-B4-03 | 95B061891 | BASIC | 16 |
| IS-08-B4-S1 | 95B066830 | BASIC | 16 |
| IS-08-B4-S2 | 95B066560 | BASIC | 16 |
| IS-08-C1-03 | 95B061521 | BASIC | 15 |
| IS-08-C1-S1 | 95B061541 | BASIC | 15 |
| IS-08-C1-S2 | 95B061531 | BASIC | 15 |
| IS-08-C20-03 | 95B066750 | NAMUR | 65 |
| IS-08-C20-S1 | 95B066790 | NAMUR | 65 |
| IS-08-C20-S2 | 95B066770 | NAMUR | 65 |
| IS-08-C2-03 | 95B061551 | BASIC | 15 |
| IS-08-C2-S1 | 95B061571 | BASIC | 15 |
| IS-08-C2-S2 | 95B061561 | BASIC | 15 |
| IS-08-C3-03 | 95B066410 | BASIC | 15 |
| IS-08-C3-S1 | 95B061481 | BASIC | 15 |
| IS-08-C3-S2 | 95B061471 | BASIC | 15 |
| IS-08-C4-03 | 95B066450 | BASIC | 15 |
| IS-08-C4-S1 | 95B061511 | BASIC | 15 |
| IS-08-C4-S2 | 95B061501 | BASIC | 15 |
| IS-08-D1-03 | 95B062321 | BASIC | 17 |
| IS-08-D1-S1 | 95B066970 | BASIC | 17 |
| IS-08-D1-S2 | 95B066700 | BASIC | 17 |
| IS-08-D2-03 | 95B062351 | BASIC | 17 |
| IS-08-D2-S1 | 95B067000 | BASIC | 17 |
| IS-08-D2-S2 | 95B066720 | BASIC | 17 |
| IS-08-D3-03 | 95B066430 | BASIC | 17 |
| IS-08-D3-S1 | 95B066920 | BASIC | 17 |
| IS-08-D3-S2 | 95B066650 | BASIC | 17 |
| IS-08-D4-03 | 95B062291 | BASIC | 17 |
| IS-08-D4-S1 | 95B066940 | BASIC | 17 |
| IS-08-D4-S2 | 95B066670 | BASIC | 17 |
| IS-08-G1-03 | 95B066370 | BASIC | 18 |
| IS-08-G1-S1 | 95B066850 | BASIC | 18 |
| IS-08-G1-S2 | 95B066580 | BASIC | 18 |
| IS-08-G2-03 | 95B066390 | BASIC | 18 |
| IS-08-G2-S1 | 95B066880 | BASIC | 18 |
| IS-08-G2-S2 | 95B066610 | BASIC | 18 |

| | | | |
|-------------|-----------|-----------------|----|
| IS-08-G3-03 | 95B066330 | BASIC | 18 |
| IS-08-G3-S1 | 95B066800 | BASIC | 18 |
| IS-08-G3-S2 | 95B066520 | BASIC | 18 |
| IS-08-G4-03 | 95B066350 | BASIC | 18 |
| IS-08-G4-S1 | 95B063131 | BASIC | 18 |
| IS-08-G4-S2 | 95B066550 | BASIC | 18 |
| IS-08-H1-03 | 95B066480 | BASIC | 19 |
| IS-08-H1-S1 | 95B066960 | BASIC | 19 |
| IS-08-H1-S2 | 95B066690 | BASIC | 19 |
| IS-08-H2-03 | 95B066500 | BASIC | 19 |
| IS-08-H2-S1 | 95B066990 | BASIC | 19 |
| IS-08-H2-S2 | 95B063301 | BASIC | 19 |
| IS-08-H3-03 | 95B066420 | BASIC | 19 |
| IS-08-H3-S1 | 95B066910 | BASIC | 19 |
| IS-08-H3-S2 | 95B066640 | BASIC | 19 |
| IS-08-H4-03 | 95B066460 | BASIC | 19 |
| IS-08-H4-S1 | 95B063251 | BASIC | 19 |
| IS-08-H4-S2 | 95B063241 | BASIC | 19 |
| IS-08-M1-03 | 95B066380 | STAINLESS STEEL | 38 |
| IS-08-M1-S1 | 95B066870 | STAINLESS STEEL | 38 |
| IS-08-M1-S2 | 95B066600 | STAINLESS STEEL | 38 |
| IS-08-M2-03 | 95B066400 | STAINLESS STEEL | 38 |
| IS-08-M2-S1 | 95B066900 | STAINLESS STEEL | 38 |
| IS-08-M2-S2 | 95B066630 | STAINLESS STEEL | 38 |
| IS-08-M3-03 | 95B066340 | STAINLESS STEEL | 38 |
| IS-08-M3-S1 | 95B066820 | STAINLESS STEEL | 38 |
| IS-08-M3-S2 | 95B066540 | STAINLESS STEEL | 38 |
| IS-08-M4-03 | 95B066360 | STAINLESS STEEL | 38 |
| IS-08-M4-S1 | 95B066840 | STAINLESS STEEL | 38 |
| IS-08-M4-S2 | 95B066570 | STAINLESS STEEL | 38 |
| IS-08-N1-03 | 95B066490 | STAINLESS STEEL | 39 |
| IS-08-N1-S1 | 95B066980 | STAINLESS STEEL | 39 |
| IS-08-N1-S2 | 95B066710 | STAINLESS STEEL | 39 |
| IS-08-N2-03 | 95B066510 | STAINLESS STEEL | 39 |
| IS-08-N2-S1 | 95B067010 | STAINLESS STEEL | 39 |
| IS-08-N2-S2 | 95B066730 | STAINLESS STEEL | 39 |
| IS-08-N3-03 | 95B066440 | STAINLESS STEEL | 39 |
| IS-08-N3-S1 | 95B066930 | STAINLESS STEEL | 39 |
| IS-08-N3-S2 | 95B066660 | STAINLESS STEEL | 39 |
| IS-08-N4-03 | 95B066470 | STAINLESS STEEL | 39 |
| IS-08-N4-S1 | 95B066950 | STAINLESS STEEL | 39 |
| IS-08-N4-S2 | 95B066680 | STAINLESS STEEL | 39 |

M12

| SENSOR | Order No. | Category | Pag. |
|--------------|-----------|--------------|------|
| IS-12-A0-03 | 95B064030 | BASIC | 20 |
| IS-12-A0-S2 | 95B064060 | BASIC | 20 |
| IS-12-A1-03 | 95B061241 | BASIC | 20 |
| IS-12-A1-S2 | 95B061251 | BASIC | 20 |
| IS-12-A15-03 | 95B060680 | INDUCTIVE AC | 56 |
| IS-12-A15-S2 | 95B060690 | INDUCTIVE AC | 56 |
| IS-12-A20-03 | 95B064160 | NAMUR | 66 |
| IS-12-A20-S2 | 95B064180 | NAMUR | 66 |
| IS-12-A2-03 | 95B061271 | BASIC | 20 |
| IS-12-A2-S2 | 95B061281 | BASIC | 20 |
| IS-12-A3-03 | 95B061181 | BASIC | 20 |
| IS-12-A3-S2 | 95B061191 | BASIC | 20 |
| IS-12-A4-03 | 95B061211 | BASIC | 20 |
| IS-12-A4-S2 | 95B061221 | BASIC | 20 |
| IS-12-A9-03 | 95B064100 | BASIC | 20 |
| IS-12-A9-S2 | 95B063931 | BASIC | 20 |
| IS-12-B1-03 | 95B062041 | BASIC | 21 |
| IS-12-B1-S2 | 95B062051 | BASIC | 21 |
| IS-12-B2-03 | 95B062071 | BASIC | 21 |
| IS-12-B2-S2 | 95B062081 | BASIC | 21 |
| IS-12-B3-03 | 95B061981 | BASIC | 21 |
| IS-12-B3-S2 | 95B061991 | BASIC | 21 |
| IS-12-B4-03 | 95B062011 | BASIC | 21 |
| IS-12-B4-S2 | 95B062021 | BASIC | 21 |
| IS-12-C0-03 | 95B064040 | BASIC | 20 |
| IS-12-C0-S2 | 95B064080 | BASIC | 20 |
| IS-12-C1-03 | 95B061641 | BASIC | 20 |
| IS-12-C1-S2 | 95B061651 | BASIC | 20 |

| | | | |
|--------------|-----------|-----------------|----|
| IS-12-C20-03 | 95B064170 | NAMUR | 66 |
| IS-12-C20-S2 | 95B064190 | NAMUR | 66 |
| IS-12-C2-03 | 95B061671 | BASIC | 20 |
| IS-12-C2-S2 | 95B061681 | BASIC | 20 |
| IS-12-C3-03 | 95B061581 | BASIC | 20 |
| IS-12-C3-S2 | 95B061591 | BASIC | 20 |
| IS-12-C4-03 | 95B061611 | BASIC | 20 |
| IS-12-C4-S2 | 95B061621 | BASIC | 20 |
| IS-12-C9-03 | 95B064110 | BASIC | 20 |
| IS-12-C9-S2 | 95B064140 | BASIC | 20 |
| IS-12-D1-03 | 95B062441 | BASIC | 21 |
| IS-12-D1-S2 | 95B062451 | BASIC | 21 |
| IS-12-D2-03 | 95B062471 | BASIC | 21 |
| IS-12-D2-S2 | 95B062481 | BASIC | 21 |
| IS-12-D3-03 | 95B062381 | BASIC | 21 |
| IS-12-D3-S2 | 95B062391 | BASIC | 21 |
| IS-12-D4-03 | 95B062411 | BASIC | 21 |
| IS-12-D4-S2 | 95B062421 | BASIC | 21 |
| IS-12-E0-03 | 95B067190 | BASIC | 22 |
| IS-12-E0-S2 | 95B067230 | BASIC | 22 |
| IS-12-E1-03 | 95B067670 | BASIC | 22 |
| IS-12-E1-S2 | 95B067030 | BASIC | 22 |
| IS-12-E2-03 | 95B067680 | BASIC | 22 |
| IS-12-E2-S2 | 95B067640 | BASIC | 22 |
| IS-12-E3-03 | 95B067690 | BASIC | 22 |
| IS-12-E3-S2 | 95B067650 | BASIC | 22 |
| IS-12-E4-03 | 95B067700 | BASIC | 22 |
| IS-12-E4-S2 | 95B067660 | BASIC | 22 |
| IS-12-E9-03 | 95B067200 | BASIC | 22 |
| IS-12-E9-S2 | 95B067240 | BASIC | 22 |
| IS-12-F1-03 | 95B067740 | BASIC | 22 |
| IS-12-F1-S2 | 95B067020 | BASIC | 22 |
| IS-12-F0-03 | 95B067210 | BASIC | 22 |
| IS-12-F0-S2 | 95B067250 | BASIC | 22 |
| IS-12-F2-03 | 95B067750 | BASIC | 22 |
| IS-12-F2-S2 | 95B067710 | BASIC | 22 |
| IS-12-F3-03 | 95B067760 | BASIC | 22 |
| IS-12-F3-S2 | 95B067720 | BASIC | 22 |
| IS-12-F4-03 | 95B067770 | BASIC | 22 |
| IS-12-F4-S2 | 95B067730 | BASIC | 22 |
| IS-12-F9-03 | 95B067220 | BASIC | 22 |
| IS-12-F9-S2 | 95B067260 | BASIC | 22 |
| IS-12-G1-03 | 95B063361 | BASIC | 23 |
| IS-12-G1-S2 | 95B063371 | BASIC | 23 |
| IS-12-G2-03 | 95B063381 | BASIC | 23 |
| IS-12-G2-S2 | 95B063391 | BASIC | 23 |
| IS-12-G3-03 | 95B063321 | BASIC | 23 |
| IS-12-G3-S2 | 95B063331 | BASIC | 23 |
| IS-12-G4-03 | 95B063341 | BASIC | 23 |
| IS-12-G4-S2 | 95B063351 | BASIC | 23 |
| IS-12-G5-03 | 95B062681 | BASIC | 23 |
| IS-12-G5-S2 | 95B062691 | BASIC | 23 |
| IS-12-G6-03 | 95B062661 | BASIC | 23 |
| IS-12-G6-S2 | 95B062671 | BASIC | 23 |
| IS-12-H1-03 | 95B063441 | BASIC | 23 |
| IS-12-H1-S2 | 95B063451 | BASIC | 23 |
| IS-12-H2-03 | 95B063461 | BASIC | 23 |
| IS-12-H2-S2 | 95B063471 | BASIC | 23 |
| IS-12-H3-03 | 95B063401 | BASIC | 23 |
| IS-12-H3-S2 | 95B063411 | BASIC | 23 |
| IS-12-H4-03 | 95B063421 | BASIC | 23 |
| IS-12-H4-S2 | 95B063431 | BASIC | 23 |
| IS-12-H5-03 | 95B062761 | BASIC | 23 |
| IS-12-H5-S2 | 95B062771 | BASIC | 23 |
| IS-12-H6-03 | 95B062741 | BASIC | 23 |
| IS-12-H6-S2 | 95B062751 | BASIC | 23 |
| IS-12-I1-S2 | 95B065340 | METAL FACE | 48 |
| IS-12-L1-S2 | 95B063871 | METAL FACE | 48 |
| IS-12-M1-S2 | 95B060240 | STAINLESS STEEL | 40 |
| IS-12-M2-S2 | 95B060250 | STAINLESS STEEL | 40 |
| IS-12-M3-S2 | 95B060260 | STAINLESS STEEL | 40 |
| IS-12-M4-S2 | 95B060270 | STAINLESS STEEL | 40 |
| IS-12-N1-S2 | 95B060280 | STAINLESS STEEL | 40 |
| IS-12-N2-S2 | 95B060290 | STAINLESS STEEL | 40 |
| IS-12-N3-S2 | 95B060300 | STAINLESS STEEL | 40 |

INDEX

| | | | |
|--------------|-----------|-------------------|----|
| IS-12-N4-S2 | 95B060310 | STAINLESS STEEL | 40 |
| IS-12-O1-S2 | 95B060000 | STAINLESS STEEL | 41 |
| IS-12-O2-S2 | 95B060010 | STAINLESS STEEL | 41 |
| IS-12-O3-S2 | 95B060020 | STAINLESS STEEL | 41 |
| IS-12-O4-S2 | 95B060030 | STAINLESS STEEL | 41 |
| IS-12-P1-S2 | 95B060040 | STAINLESS STEEL | 41 |
| IS-12-P2-S2 | 95B060050 | STAINLESS STEEL | 41 |
| IS-12-P3-S2 | 95B060060 | STAINLESS STEEL | 41 |
| IS-12-P4-S2 | 95B060070 | STAINLESS STEEL | 41 |
| IS-12-P4-S2 | 95B060070 | STAINLESS STEEL | 41 |
| IS-F12-S1-S2 | 95B065360 | WELD FIELD IMMUNE | 52 |
| IS-F12-T1-S2 | 95B065370 | WELD FIELD IMMUNE | 52 |

| M18 | | | |
|--------------|-----------|--------------|------|
| SENSOR | Order No. | Category | Pag. |
| IS-18-A0-03 | 95B064230 | BASIC | 24 |
| IS-18-A0-S2 | 95B064260 | BASIC | 24 |
| IS-18-A1-03 | 95B061341 | BASIC | 24 |
| IS-18-A1-S2 | 95B061351 | BASIC | 24 |
| IS-18-A15-03 | 95B060770 | INDUCTIVE AC | 57 |
| IS-18-A15-S2 | 95B060780 | INDUCTIVE AC | 57 |
| IS-18-A20-03 | 95B064360 | NAMUR | 67 |
| IS-18-A20-S2 | 95B064380 | NAMUR | 67 |
| IS-18-A2-03 | 95B061361 | BASIC | 24 |
| IS-18-A2-S2 | 95B061371 | BASIC | 24 |
| IS-18-A3-03 | 95B061301 | BASIC | 24 |
| IS-18-A3-S2 | 95B061311 | BASIC | 24 |
| IS-18-A4-03 | 95B061321 | BASIC | 24 |
| IS-18-A4-S2 | 95B061331 | BASIC | 24 |
| IS-18-A9-03 | 95B064300 | BASIC | 24 |
| IS-18-A9-S2 | 95B063941 | BASIC | 24 |
| IS-18-B1-03 | 95B062141 | BASIC | 25 |
| IS-18-B1-S2 | 95B062151 | BASIC | 25 |
| IS-18-B2-03 | 95B062161 | BASIC | 25 |
| IS-18-B2-S2 | 95B062171 | BASIC | 25 |
| IS-18-B3-03 | 95B062101 | BASIC | 25 |
| IS-18-B3-S2 | 95B062111 | BASIC | 25 |
| IS-18-B4-03 | 95B062121 | BASIC | 25 |
| IS-18-B4-S2 | 95B062131 | BASIC | 25 |
| IS-18-C0-03 | 95B064240 | BASIC | 24 |
| IS-18-C0-S2 | 95B064280 | BASIC | 24 |
| IS-18-C1-03 | 95B061741 | BASIC | 24 |
| IS-18-C1-S2 | 95B061751 | BASIC | 24 |
| IS-18-C20-03 | 95B064370 | NAMUR | 67 |
| IS-18-C20-S2 | 95B064390 | NAMUR | 67 |
| IS-18-C2-03 | 95B061761 | BASIC | 24 |
| IS-18-C2-S2 | 95B061771 | BASIC | 24 |
| IS-18-C3-03 | 95B061701 | BASIC | 24 |
| IS-18-C3-S2 | 95B061711 | BASIC | 24 |
| IS-18-C4-03 | 95B061721 | BASIC | 24 |
| IS-18-C4-S2 | 95B061731 | BASIC | 24 |
| IS-18-C9-03 | 95B064310 | BASIC | 24 |
| IS-18-C9-S2 | 95B064340 | BASIC | 24 |
| IS-18-D1-03 | 95B062541 | BASIC | 25 |
| IS-18-D1-S2 | 95B062551 | BASIC | 25 |
| IS-18-D2-03 | 95B062561 | BASIC | 25 |
| IS-18-D2-S2 | 95B062571 | BASIC | 25 |
| IS-18-D3-03 | 95B062501 | BASIC | 25 |
| IS-18-D3-S2 | 95B062511 | BASIC | 25 |
| IS-18-D4-03 | 95B062521 | BASIC | 25 |
| IS-18-D4-S2 | 95B062531 | BASIC | 25 |
| IS-18-E1-S2 | 95B067050 | BASIC | 26 |
| IS-18-E0-03 | 95B067270 | BASIC | 26 |
| IS-18-E0-S2 | 95B067310 | BASIC | 26 |
| IS-18-E1-03 | 95B067810 | BASIC | 26 |
| IS-18-E2-03 | 95B067820 | BASIC | 26 |
| IS-18-E2-S2 | 95B067780 | BASIC | 26 |
| IS-18-E3-03 | 95B067830 | BASIC | 26 |
| IS-18-E3-S2 | 95B067790 | BASIC | 26 |
| IS-18-E4-03 | 95B067840 | BASIC | 26 |
| IS-18-E4-S2 | 95B067800 | BASIC | 26 |
| IS-18-E9-03 | 95B067280 | BASIC | 26 |
| IS-18-E9-S2 | 95B067320 | BASIC | 26 |
| IS-18-F0-03 | 95B067290 | BASIC | 26 |

| | | | |
|--------------|-----------|-------------------|----|
| IS-18-F0-S2 | 95B067330 | BASIC | 26 |
| IS-18-F1-03 | 95B067880 | BASIC | 26 |
| IS-18-F1-S2 | 95B067040 | BASIC | 26 |
| IS-18-F2-03 | 95B067890 | BASIC | 26 |
| IS-18-F2-S2 | 95B067850 | BASIC | 26 |
| IS-18-F3-03 | 95B067900 | BASIC | 26 |
| IS-18-F3-S2 | 95B067860 | BASIC | 26 |
| IS-18-F4-03 | 95B067910 | BASIC | 26 |
| IS-18-F4-S2 | 95B067870 | BASIC | 26 |
| IS-18-F9-03 | 95B067300 | BASIC | 26 |
| IS-18-F9-S2 | 95B067340 | BASIC | 26 |
| IS-18-G1-03 | 95B063521 | BASIC | 27 |
| IS-18-G1-S2 | 95B063531 | BASIC | 27 |
| IS-18-G2-03 | 95B063541 | BASIC | 27 |
| IS-18-G2-S2 | 95B063551 | BASIC | 27 |
| IS-18-G3-03 | 95B063061 | BASIC | 27 |
| IS-18-G3-S2 | 95B063491 | BASIC | 27 |
| IS-18-G4-03 | 95B063501 | BASIC | 27 |
| IS-18-G4-S2 | 95B063511 | BASIC | 27 |
| IS-18-G5-03 | 95B062721 | BASIC | 27 |
| IS-18-G5-S2 | 95B062731 | BASIC | 27 |
| IS-18-G6-03 | 95B064200 | BASIC | 27 |
| IS-18-G6-S2 | 95B062711 | BASIC | 27 |
| IS-18-H1-03 | 95B063601 | BASIC | 27 |
| IS-18-H1-S2 | 95B063611 | BASIC | 27 |
| IS-18-H2-03 | 95B063621 | BASIC | 27 |
| IS-18-H2-S2 | 95B063631 | BASIC | 27 |
| IS-18-H3-03 | 95B063561 | BASIC | 27 |
| IS-18-H3-S2 | 95B063571 | BASIC | 27 |
| IS-18-H4-03 | 95B063581 | BASIC | 27 |
| IS-18-H4-S2 | 95B063591 | BASIC | 27 |
| IS-18-H5-03 | 95B064220 | BASIC | 27 |
| IS-18-H5-S2 | 95B062811 | BASIC | 27 |
| IS-18-H6-03 | 95B064210 | BASIC | 27 |
| IS-18-H6-S2 | 95B062791 | BASIC | 27 |
| IS-18-I1-S2 | 95B065350 | METAL FACE | 49 |
| IS-18-L1-S2 | 95B063881 | METAL FACE | 49 |
| IS-18-M1-S2 | 95B060320 | STAINLESS STEEL | 42 |
| IS-18-M2-S2 | 95B060330 | STAINLESS STEEL | 42 |
| IS-18-M3-S2 | 95B060340 | STAINLESS STEEL | 42 |
| IS-18-M4-S2 | 95B060350 | STAINLESS STEEL | 42 |
| IS-18-N1-S2 | 95B060360 | STAINLESS STEEL | 42 |
| IS-18-N2-S2 | 95B060370 | STAINLESS STEEL | 42 |
| IS-18-N3-S2 | 95B060380 | STAINLESS STEEL | 42 |
| IS-18-N4-S2 | 95B060390 | STAINLESS STEEL | 42 |
| IS-18-O1-S2 | 95B060080 | STAINLESS STEEL | 43 |
| IS-18-O2-S2 | 95B060090 | STAINLESS STEEL | 43 |
| IS-18-O3-S2 | 95B060100 | STAINLESS STEEL | 43 |
| IS-18-O4-S2 | 95B060110 | STAINLESS STEEL | 43 |
| IS-18-P1-S2 | 95B060120 | STAINLESS STEEL | 43 |
| IS-18-P2-S2 | 95B060130 | STAINLESS STEEL | 43 |
| IS-18-P3-S2 | 95B060140 | STAINLESS STEEL | 43 |
| IS-18-P4-S2 | 95B060150 | STAINLESS STEEL | 43 |
| IS-F18-S1-S2 | 95B065380 | WELD FIELD IMMUNE | 53 |
| IS-F18-T1-S2 | 95B065390 | WELD FIELD IMMUNE | 53 |

| M30 | | | |
|--------------|-----------|--------------|------|
| SENSOR | Order No. | Category | Pag. |
| IS-30-A0-03 | 95B064460 | BASIC | 28 |
| IS-30-A0-S2 | 95B064490 | BASIC | 28 |
| IS-30-A1-03 | 95B061421 | BASIC | 28 |
| IS-30-A1-S2 | 95B061431 | BASIC | 28 |
| IS-30-A15-03 | 95B060810 | INDUCTIVE AC | 58 |
| IS-30-A15-S2 | 95B060820 | INDUCTIVE AC | 58 |
| IS-30-A20-03 | 95B064610 | NAMUR | 68 |
| IS-30-A20-S2 | 95B064630 | NAMUR | 68 |
| IS-30-A2-03 | 95B061441 | BASIC | 28 |
| IS-30-A2-S2 | 95B061451 | BASIC | 28 |
| IS-30-A3-03 | 95B061381 | BASIC | 28 |
| IS-30-A3-S2 | 95B061391 | BASIC | 28 |
| IS-30-A4-03 | 95B061401 | BASIC | 28 |
| IS-30-A4-S2 | 95B061411 | BASIC | 28 |
| IS-30-A9-03 | 95B064530 | BASIC | 28 |

| | | | |
|--------------|-----------|-------|----|
| IS-30-A9-S2 | 95B064570 | BASIC | 28 |
| IS-30-B1-03 | 95B062221 | BASIC | 29 |
| IS-30-B1-S2 | 95B062231 | BASIC | 29 |
| IS-30-B2-03 | 95B062241 | BASIC | 29 |
| IS-30-B2-S2 | 95B062251 | BASIC | 29 |
| IS-30-B3-03 | 95B062181 | BASIC | 29 |
| IS-30-B3-S2 | 95B062191 | BASIC | 29 |
| IS-30-B4-03 | 95B062201 | BASIC | 29 |
| IS-30-B4-S2 | 95B062211 | BASIC | 29 |
| IS-30-C0-03 | 95B064470 | BASIC | 28 |
| IS-30-C0-S2 | 95B064510 | BASIC | 28 |
| IS-30-C1-03 | 95B061821 | BASIC | 28 |
| IS-30-C1-S2 | 95B061831 | BASIC | 28 |
| IS-30-C20-03 | 95B064620 | NAMUR | 68 |
| IS-30-C20-S2 | 95B064640 | NAMUR | 68 |
| IS-30-C2-03 | 95B061841 | BASIC | 28 |
| IS-30-C2-S2 | 95B061851 | BASIC | 28 |
| IS-30-C3-03 | 95B061781 | BASIC | 28 |
| IS-30-C3-S2 | 95B061791 | BASIC | 28 |
| IS-30-C4-03 | 95B061801 | BASIC | 28 |
| IS-30-C4-S2 | 95B061811 | BASIC | 28 |
| IS-30-C9-03 | 95B064550 | BASIC | 28 |
| IS-30-C9-S2 | 95B064590 | BASIC | 28 |
| IS-30-D1-03 | 95B062621 | BASIC | 29 |
| IS-30-D1-S2 | 95B062631 | BASIC | 29 |
| IS-30-D2-03 | 95B062641 | BASIC | 29 |
| IS-30-D2-S2 | 95B062651 | BASIC | 29 |
| IS-30-D3-03 | 95B062581 | BASIC | 29 |
| IS-30-D3-S2 | 95B062591 | BASIC | 29 |
| IS-30-D4-03 | 95B062601 | BASIC | 29 |
| IS-30-D4-S2 | 95B062611 | BASIC | 29 |
| IS-30-E0-03 | 95B067350 | BASIC | 30 |
| IS-30-E0-S2 | 95B067390 | BASIC | 30 |
| IS-30-E1-03 | 95B067950 | BASIC | 30 |
| IS-30-E1-S2 | 95B067060 | BASIC | 30 |
| IS-30-E2-03 | 95B067960 | BASIC | 30 |
| IS-30-E2-S2 | 95B067920 | BASIC | 30 |
| IS-30-E3-03 | 95B067970 | BASIC | 30 |
| IS-30-E3-S2 | 95B067930 | BASIC | 30 |
| IS-30-E4-03 | 95B067980 | BASIC | 30 |
| IS-30-E4-S2 | 95B067940 | BASIC | 30 |
| IS-30-E9-03 | 95B067360 | BASIC | 30 |
| IS-30-E9-S2 | 95B067400 | BASIC | 30 |
| IS-30-F0-03 | 95B067370 | BASIC | 30 |
| IS-30-F0-S2 | 95B067410 | BASIC | 30 |
| IS-30-F1-03 | 95B068030 | BASIC | 30 |
| IS-30-F1-S2 | 95B067990 | BASIC | 30 |
| IS-30-F2-03 | 95B068040 | BASIC | 30 |
| IS-30-F2-S2 | 95B068000 | BASIC | 30 |
| IS-30-F3-03 | 95B068050 | BASIC | 30 |
| IS-30-F3-S2 | 95B068010 | BASIC | 30 |
| IS-30-F4-03 | 95B068060 | BASIC | 30 |
| IS-30-F4-S2 | 95B068020 | BASIC | 30 |
| IS-30-F9-03 | 95B067380 | BASIC | 30 |
| IS-30-F9-S2 | 95B067420 | BASIC | 30 |
| IS-30-G1-03 | 95B063681 | BASIC | 31 |
| IS-30-G1-S2 | 95B063691 | BASIC | 31 |
| IS-30-G2-03 | 95B063701 | BASIC | 31 |
| IS-30-G2-S2 | 95B063711 | BASIC | 31 |
| IS-30-G3-03 | 95B063641 | BASIC | 31 |
| IS-30-G3-S2 | 95B063651 | BASIC | 31 |
| IS-30-G4-03 | 95B063661 | BASIC | 31 |
| IS-30-G4-S2 | 95B063671 | BASIC | 31 |
| IS-30-G5-03 | 95B063821 | BASIC | 31 |
| IS-30-G5-S2 | 95B063831 | BASIC | 31 |
| IS-30-G6-03 | 95B064400 | BASIC | 31 |
| IS-30-G6-S2 | 95B064430 | BASIC | 31 |
| IS-30-H1-03 | 95B063761 | BASIC | 31 |
| IS-30-H1-S2 | 95B063771 | BASIC | 31 |
| IS-30-H2-03 | 95B063781 | BASIC | 31 |
| IS-30-H2-S2 | 95B063791 | BASIC | 31 |
| IS-30-H3-03 | 95B063721 | BASIC | 31 |
| IS-30-H3-S2 | 95B063731 | BASIC | 31 |
| IS-30-H4-03 | 95B063741 | BASIC | 31 |

| | | | |
|-------------|-----------|-----------------|----|
| IS-30-H4-S2 | 95B063751 | BASIC | 31 |
| IS-30-H5-03 | 95B064420 | BASIC | 31 |
| IS-30-H5-S2 | 95B064450 | BASIC | 31 |
| IS-30-H6-03 | 95B064410 | BASIC | 31 |
| IS-30-H6-S2 | 95B064440 | BASIC | 31 |
| IS-30-M1-S2 | 95B060400 | STAINLESS STEEL | 44 |
| IS-30-M2-S2 | 95B060410 | STAINLESS STEEL | 44 |
| IS-30-M3-S2 | 95B060420 | STAINLESS STEEL | 44 |
| IS-30-M4-S2 | 95B060430 | STAINLESS STEEL | 44 |
| IS-30-N1-S2 | 95B060440 | STAINLESS STEEL | 44 |
| IS-30-N2-S2 | 95B060450 | STAINLESS STEEL | 44 |
| IS-30-N3-S2 | 95B060460 | STAINLESS STEEL | 44 |
| IS-30-N4-S2 | 95B060470 | STAINLESS STEEL | 44 |
| IS-30-O1-S2 | 95B060160 | STAINLESS STEEL | 45 |
| IS-30-O2-S2 | 95B060170 | STAINLESS STEEL | 45 |
| IS-30-O3-S2 | 95B060180 | STAINLESS STEEL | 45 |
| IS-30-O4-S2 | 95B060190 | STAINLESS STEEL | 45 |
| IS-30-P1-S2 | 95B060200 | STAINLESS STEEL | 45 |
| IS-30-P2-S2 | 95B060210 | STAINLESS STEEL | 45 |
| IS-30-P3-S2 | 95B060220 | STAINLESS STEEL | 45 |
| IS-30-P4-S2 | 95B060230 | STAINLESS STEEL | 45 |

| SQUARE | | | |
|--------------|-----------|----------|------|
| SENSOR | Order No. | Category | Pag. |
| IS-40-C11-S3 | 95B065330 | SQUARE | 74 |
| IS-40-W5-S3 | 95B065240 | SQUARE | 72 |
| IS-40-W6-S3 | 95B065230 | SQUARE | 72 |
| IS-40-W7-S3 | 95B065250 | SQUARE | 73 |
| IS-40-W8-S3 | 95B065260 | SQUARE | 73 |
| IS-40-X5-S2 | 95B065320 | SQUARE | 74 |
| IS-40-X6-S2 | 95B065310 | SQUARE | 74 |
| IS-40-Y5-S3 | 95B065280 | SQUARE | 72 |
| IS-40-Y6-S3 | 95B065270 | SQUARE | 72 |
| IS-40-Y7-S3 | 95B065290 | SQUARE | 73 |
| IS-40-Y8-S3 | 95B065300 | SQUARE | 73 |
| IS-88-Q1-03 | 95B060830 | SQUARE | 75 |
| IS-88-Q1-S1 | 95B060840 | SQUARE | 75 |

CAPACITIVE

| M18 | | | |
|---------|-----------|-----------------|------|
| SENSOR | Order No. | Category | Pag. |
| CS08K2 | 958901040 | basic | 78 |
| CS07K2 | 958901000 | basic | 78 |
| CS08 | 958901020 | basic | 78 |
| CS07 | 958901160 | basic | 78 |
| CS14K2 | 958901270 | basic | 78 |
| CS13K2 | 958901250 | basic | 78 |
| CS14 | 958901120 | basic | 78 |
| CS13 | 958901100 | basic | 78 |
| CSP40K4 | 958901380 | Capacitive A.C. | 80 |
| CSP41K4 | 958901390 | Capacitive A.C. | 80 |

| M30 | | | |
|---------|-----------|-----------------------|------|
| SENSOR | Order No. | Category | Pag. |
| CS10K2 | 958901080 | basic | 79 |
| CS10 | 958901060 | basic | 79 |
| CS16K2 | 958901330 | basic | 79 |
| CS16 | 958901140 | basic | 79 |
| CS09K2 | 958901230 | basic | 79 |
| CS09 | 958901180 | basic | 79 |
| CS15K2 | 958901300 | basic | 79 |
| CS15 | 958901200 | basic | 79 |
| CSP50K4 | 958901400 | Capacitive A.C. | 81 |
| CSP51K4 | 958901410 | Capacitive A.C. | 81 |
| CS31 | 958901150 | Multi-voltage (timer) | 82 |
| CS32 | 958901220 | Multi-voltage (timer) | 82 |
| CS31TD5 | 958901350 | Multi-voltage (timer) | 82 |
| CS32TD5 | 958901360 | Multi-voltage (timer) | 82 |
| CS31TE5 | 958901210 | Multi-voltage (timer) | 82 |
| CS32TE5 | 958901370 | Multi-voltage (timer) | 82 |



2025 RELEASE UNDER E.O. 14176

HEADQUARTERS

Datalogic Automation Srl

Via Lavino, 265
40050 Monte San Pietro - Bologna - Italy
Tel: +39 051/6765611
info.automation.it@datalogic.com

BRANCHES AND SALES OFFICES

EUROPE BENELUX

Datalogic Automation Benelux

Newtonweg 3
4104 BK Culemborg - The Netherlands
Tel. +31 345/589489
info.automation.nl@datalogic.com

FRANCE

Datalogic Automation Srl

Succursale en France
Le Parc Technologique de Lyon
333 cours du 3ème Millénaire - Le Pôle
69800 Saint Priest
Tél. +33 (0)4/72476180
info.automation.fr@datalogic.com

GERMANY

Datalogic Automation Srl

Niederlassung Central Europe
Gottlieb-Stoll-Straße 1,
73271 Holzmaden
Tel. +49 7023 7453-100
info.automation.de@datalogic.com

ITALY

Datalogic Automation Italy

Via Lavino, 265
40050 Monte San Pietro - Bologna
Tel. +39 051/6765611
info.automation.it@datalogic.com

Via Taormina 1
20093 - Cologno Monzese (MI) Italy
Tel. +39 02 25151211
info.automation.it@datalogic.com

Via Le Gorrey, 10 11020, Donnas - Aosta
Tel. +39-0125-8128201
info.automation.it@datalogic.com

SPAIN

Datalogic Automation Iberia

Sucursal en España
C/ Frederic Mompou 4 esc A, 4º puerta 3ª
08960 Sant Just Desvern - Barcelona
Tel. +34 (0)93/4772059

NORDIC

Datalogic Automation AB

Höjdrodergatan 21
21239 Malmö - Sweden
Tel. +46 (0)40/385000
info.automation.se@datalogic.com

UNITED KINGDOM

Datalogic Automation UK

Datalogic House
Dunstable Road, Redbourn - Hertfordshire
AL3 7PR
Tel. +44 (0) 1582 791750
info.automation.uk@datalogic.com

TURKEY

Datalogic ADC Turkey

Merkezi İtalya İstanbul Merkez Şubesi Süleyman
Seba Cad. No:48 BJK Plaza A. Blok Kat:4 D.44
34357 - İstanbul - Turkey
Tel. +90 212 396 1550
info.adc.tr@datalogic.com

NORTH AMERICA

Datalogic Automation Inc

511 School House Road
Telford, PA 18969-1196 - United States
Tel. +1-800-BAR-CODE or +1-215-723-0981
info.automation.us@datalogic.com

Datalogic Automation Inc MACHINE VISION

5775 W Old Shakopee Rd
STE 160, Bloomington, MN 55437
United States
Tel. +1-952-996-9500
info.automation.us@datalogic.com

SOUTH AMERICA

Datalogic Brazil

Avenida Olivio Roncoletta, 465
Bairro Vila Hortolandia Jundiã (SP), Brazil
Tel. +55 11 29232600
info.automation.br@datalogic.com

APAC

Australia-New Zealand

Datalogic Automation Pty Ltd

Unit 130, 45 Gilby Road
Mt Waverley - Victoria, 3149 - Australia
Tel. +61 (0)3/95589299
info.automation.au@datalogic.com

CHINA

Datalogic Automation Asia

2nd Floor, 10 Building, Dayuan Industrial Zone,
No.1, Pingshan 1st Road,
Liuxuan Blvd. Xili, Nanshan District,
518054, Shenzhen, China
Tel: +86 (0)755-8629 6779
info.automation.cn@datalogic.com

R206, 2F, No. 1288 Longdong Avenue,
Pudong New Area,
Shanghai, 201203
Tel: +86 (0)21-5836 6692
info.automation.cn@datalogic.com

Floor 20, Room 2019, Building 2,
16 West Nan San Huan Road
Fengtai District, Beijing
Tel: +86 (0)10-8757 6375
info.automation.cn@datalogic.com

1202, Excellence Build, 128 Yanji Road,
Shibei District, Qingdao, China
Tel: +86 (0)532 55787889

JAPAN

Idec Auto-Id Solutions Corporation

8-10, Shioe 5-chome, Amagasaki Hyogo,
Japan 661-0976
Tel. +81-6-7711-8880
www.idec.com

Rev. 11, 11/2016



9C513700E

Product and Company names and logos referenced may be either trademarks or registered trademarks of their respective companies. We reserve the right to make modifications and improvements.



DATALOGIC
THE VISION IS YOURS

www.datalogic.com