

Protection and Connection

Switch-disconnectors

High performance, compact solution



Switch-disconnectors

High performance, compact solution

Introduction to manual switch-disconnectors OT160...4000	
Product overview	5
Typical applications	7
Manual switch-disconnectors OT16...160	
Product overview	11
Product range	13
Type designation key	14
Technical data	15
Ordering information	20
Dimensional drawings	28
Ordering information for accessories	38
Manual switch-disconnectors OT160...4000	
Product overview	65
Product range	67
Type designation key	68
Technical data	69
Ordering information	74
Dimensional drawings	90
Ordering information for accessories	121
Motorized switch-disconnectors	
Product overview	149
Product range	151
Type designation key	152
Technical data	153
Ordering information	158
Dimensional drawings	164
Ordering information for accessories	170
Index	
Index	179

Switch-disconnectors 16 to 4000 Amperes

High performance compact solutions

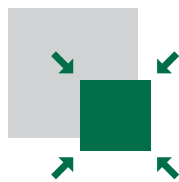
ABB offers switch-disconnectors suitable for diverse applications such as machinery, power distribution, switchboards, motor control centers or photovoltaic installations. These devices are globally available and always supported by our skilled and dedicated worldwide service network.



Reliable in extreme conditions

Tried and tested

ABB switch-disconnectors are designed, built and tested for the best possible performance. They are designed to be virtually maintenance-free across their entire extended lifespan and offer reliable performance in any and all possible circumstances. Durability has been ensured by testing switches against the IEC60947-3, UL508, UL98 and CSA standards.



Space saving

Modular design

All our switches have been designed for easy and cost-efficient installation, maintenance and use. Their modular design and smaller dimensions enable installation into even the smallest enclosures saving precious space and significantly reducing material, handling and installation costs. The simple design also makes use easy, even without previous experience or training.



Safety and protection

Numerous safety features

ABB switch-disconnectors come equipped with a comprehensive range of inbuilt safety features. All motorized switches can also be operated manually in emergency situations, but can also be padlocked when the handle is removed to prevent unwanted manual or remote operations or enable safe maintenance work.



ABB switch-disconnectors are suited for a wide variety of demanding applications. They provide reliable performance in a compact solution.

Whether it is for demanding motor load disconnecting or simple isolation applications, we offer a market-leading product portfolio of switch-disconnectors ranging from 16 to 4000 Amperes. Thanks to their modular structure, our switches can serve both manual and motorized applications. These devices also help create purpose-built solutions from directly busbar mountable wide phase models to floor mounted earthing switches. All this with the highest level of performance and reliability.

Typical switch-disconnector applications:



Switching of mixed loads for basically any application:

- Control panels
- Low-voltage switchgears
- Low-voltage substations
- Distribution panels in buildings



Motor disconnecting in various applications:

- Machine builders
- Motor control centers
- HVAC, pumps and conveyors



Heavy industries:

- Pulp & Paper
- Food & Beverage
- Refining & petrochemicals



Power generation and renewables:

- Wind turbines
- Solar plants
- Generating sets
- Power plants

Our manual switch-disconnectors have been designed to be compact and reliable.

Manual switch-disconnectors OT16...160

Compact and reliable performance

Manual switch-disconnectors

Product overview	11
Product range	13
Type designation key for the types types OT16...160	14
Type designation key for the types OT16...160, IEC	15
Type designation key for the types OT16...100, UL	16

Technical data

Manual switch-disconnectors OT160, IEC and OT100...125, UL	18
Auxiliary contacts	49

Ordering information

Manual switch-disconnectors OT16...160	20
Manual switch-disconnectors OT16...160, UL	24
Accessory guide for OT160G	26
Manual switch-disconnectors OT16...160, IEC/UL	27

Dimensional drawings

Manual switch-disconnectors OT16...160	28
Handles	42
Legend plates and labelling accessories	45
Conversion kits	57

Ordering information for accessories

Handle accessories	38
Legend plates	44
Shafts	46
Shaft accessories	47
Auxiliary contact	48
Fourth poles	51
Neutral and earth terminals	52
Terminal shrouds	53
Terminal clamps	54
Conversion kits	55
Conversion kit accessories	59
Locking accessories	60

Manual switch-disconnectors OT16...160

Compact and reliable performance

Manual switch-disconnectors by ABB are suitable for a wide range of demanding applications ranging from machinery to entire photovoltaic installations. They have been designed to be compact and reliable, offering high performance in even the most demanding environments.



Easy to install

Flexible and adjustable

The adjustable shaft (for external handles) and mounting feet, along with snap-on auxiliary contacts and terminal shrouds create considerable savings in terms of installation time and costs.



Optimized logistics

Reducing inventory needs

The uniform designs used by ABB means that a wide range of accessories are fully suitable for use with most switch devices. This includes e.g. handles, shafts, additional poles, auxiliary contacts, terminal shrouds, interlocking devices, terminal clamps etc. The fact that the same accessories are suited for multiple devices allows for reduced inventory and related costs.



Safety and protection

Numerous safety features

These devices come equipped with a wide range of safety features, such as IP20-protected finger proof installations and handles and shafts that provide a door interlock, that prevent access to live parts when in operation. Most handles (all pistol type handles and some selector type handles) can be padlocked in the OFF position to ensure safe service and maintenance operations.



Manual switch-disconnectors OT16...160

Product range



Manual operation										
IEC		OT16F			OT63F			OT100F		
		OT25F			OT80F			OT125F		
		OT40F								
UL 508 file # E63822		OT16F			OT63F					
		OT25F			OT80F					
		OT40F								
UL 98 file # E101914								OT30F		
								OT60F		
								OT100F		
Switch size		16	25	40	63	80	30	60	100	125
IEC	I_{th} [A]	25	32	40	63	80	40	63	115	125
	I_n /AC22A, 400...415V [A]	16	25	40	63	80	40	63	100	125
	I_n /AC23A, 400...415V [A]	16	20	23	45	75	40	63	80	90
UL	Ampere rating [A] 600 V	20	30	40	60	80	30	60	100	



Manual operation			
IEC		OT160G	
UL 98 file # E101914		OT160G	
Switch size		100	125
IEC	I_{th} [A]		160
	I_n /AC22A, 400...690V [A]		160
	I_n /AC23A, 400...690V [A]		160
UL	Ampere rating [A] 600 V	100	125

The selection of accessories for manual switch-disconnectors OT16...160 include:

- Handles
- Legend plates
- Labelling accessories
- Shafts
- Auxiliary contacts
- Fourth poles
- N & PE terminals
- Terminal shrouds
- Terminal clamps
- Conversion kits
- Locking accessories



Please note that listed accessories are not automatically included in your order. Ordering information for accessories from page 38-41, 44, 46-48, 51-56 and 59-60.

Manual switch-disconnectors OT16...160

Type designation key

Type codes

Understanding the type code keys below will help you quickly identify the correct product for your needs. The simple naming system allows you to see the products type, Ampere rating, standard classification and number of poles, all in one glance.

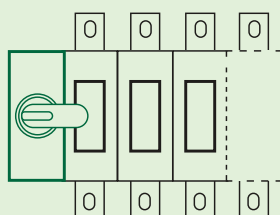
Explanation of the types OT16..160

	OT	16	F	4	N2
	1	2	3	4	5
1	Brand				
OT:	ABB switch-disconnector brand				
2	Switch size				
16...160:	16...160				
3	Mounting / Construction				
F:	Base and DIN-rail mounting, front operated				
FT:	Door mounting, front operated				
G:	Base and DIN-rail mounting, front and side operated				
GT:	Door mounting, front and side operated				
FL:	Base and DIN-rail mounting, extended terminals on both sides of the switch, front operated				
FLA:	Base and DIN-rail mounting, extended terminals on top side only, front operated				
FLB:	Base and DIN-rail mounting, extended terminals on bottom side only, front operated				
M, ML:	Installation switches for 45 mm standard opening, base and DIN -rail mounting, front operated				
4	Number of poles				
3	3 poles				
4	4 poles				
6	6 poles				
8	8 poles				
03	3 poles, operating mechanism at the left end of the switch				
04	4 poles, operating mechanism at the left end of the switch				
30	3 poles, operating mechanism at the right end of the switch				
40	4 poles, operating mechanism at the right end of the switch				
5	Included accessories				
N2:	Fourth pole, simultaneous function with the main contacts				
_(blank):	no accessories included				
P:	Pistol handle + shaft				
K:	Direct mount handle (for base mounting versions only)				

Pole configuration table, OT160G

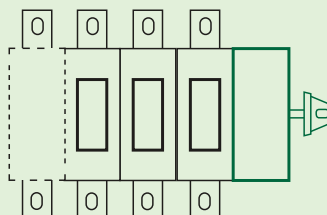
Front operated

Configuration 03, 04:



Side operated

Configuration 30, 40 or 03, 04:



Manual switch-disconnectors OT16...125, IEC

Technical data

2

Technical data according to IEC 60947-3				Switch type						
				OT16F	OT25F	OT40F	OT63F	OT80F	OT100F	OT125F
Rated insulation voltage and rated operational voltage AC20/DC20	Pollution degree 3		V	750	750	750	750	750	750	750
Dielectric strength		50 Hz 1min.	kV	6	6	6	6	6	6	6
Rated impulse withstand voltage			kV	8	8	8	8	8	8	8
Rated thermal current and rated operational current AC20/DC20	Ambient 40°C ²⁾	In open air	A	25	32	40	63	80	115	125
	Ambient 40°C ²⁾	In enclosure	A	25	32	40	63	80	115	125
	Ambient 60°C	In enclosure	A	20	25	32	50	63	80	100
..with minimum conductor cross section		Cu	mm ²	4	6	10	16	25	35	50
Rated operational current, AC-21A		up to 415 V	A	16	25	40	63	80	100	125
		440...690 V	A	16	25	40	63	80	100	125
Rated operational current, AC-22A		up to 415 V	A	16	25	40	63	80	100	125
		440...690 V	A	16	25	40	63	80	100	125
Rated operational current, AC-23A		up to 415 V	A	16	20	23	63	75	80	90
		440 V	A	16	20	23	63	65	65	78
		500 V	A	16	20	23	45	58	60	70
		690 V	A	10	11	12	20	20	40	50
		24...48 V ¹⁾	A	16/1	25/1	32/1	63/1	80/1	100/1	125/1
Rated operational current / poles in series, DC-21A		110 V	A	16/2	25/2	32/2	63/2	80/2	100/2	125/2
		220 V	A	16/3	25/3	32/3	63/4	80/4	100/4	125/4
		440 V	A	16/4	16/4	16/4	16/4	16/4		
		500 V	A	16/4	16/4	16/4	16/4	16/4		
		750 V	A	16/8	25/8	32/8				
Rated operational current / poles in series, DC-22A		24...48 V ¹⁾	A	16/1	25/1	32/1	63/1	80/1	100/1	125/1
		110 V	A	16/2	25/2	32/2	63/2	80/2	100/2	125/2
		220 V	A	16/3	25/3	32/4	45/4	45/4	63/4	80/4
		440 V	A	10/4	10/4	10/4	10/4	10/4		
		750 V	A	16/8	25/8	25/8				
Rated operational current / poles in series, DC-23A		24...48 V ¹⁾	A	16/1	25/1	32/1	63/1	80/1	100/1	125/1
		110 V	A	16/2	25/2	32/2	63/2	80/2	100/2	125/2
		220 V	A	16/4	25/4	32/4	45/4	45/4	63/4	63/4
		440 V	A	10/4	10/4	10/4	10/4	10/4		
		750 V	A	16/8	16/8	16/8				
Rated operational power, AC-23A (These values are given for guidance and may vary acc. to the motor manufacturer)		220...240 V	kW	3	4	5.5	11	22	22	22
		400...415 V	kW	7.5	9	11	22	37	37	45
		440...500 V	kW	7.5	9	11	22	37	37	45
		690 V	kW	7.5	9	11	15	18.5	37	45
Rated breaking capacity, AC-23A		up to 415 V	A	128	160	184	360	640	640	720
		440 V	A	128	160	184	360	448	520	624
		500 V	A	128	160	184	360	464	480	560
		690 V	A	80	88	96	160	160	320	400
Rated breaking capacity/ poles in series, DC-23A		24...48 V	A	64/1	100/1	128/1	180/1	252/1	400/1	500/1
		220 V	A	64/3	100/4	128/4	180/4	180/4	252/4	252/4
		110 V	A	64/2	100/2	128/2	180/2	252/2	400/2	500/2
		440 V	A	40/4	40/4	40/4	40/4	40/4		
		750 V	A	64/8	64/8	64/8				
Rated conditional short-circuit current I _{cc} (r.m.s.) and corresponding max. allowed cut-off current I _c . The cut-off current I _c refers to values listed by fuse manufacturers (single phase test acc. to IEC60269)	I _{cc} (r.m.s.)	50 kA	kA	6.5	6.5	6.5	13	13	16.5	16.5
	Max. OFA _{max} fuse size gG/aM	≤ 415 V	A	40/32	40/32	40/32	100/80	100/80	125/125	125/125
	I _{cc} (r.m.s.)	100 kA	kA				17	17		
	Max. OFA _{max} fuse size gG/aM	≤ 500 V	A				100/80	100/80		
	I _{cc} (r.m.s.)	10 kA	kA						8.2	8.2
	Max. OFA _{max} fuse size gG/aM	≤ 690 V	A						125/100	125/100
	I _{cc} (r.m.s.)	50 kA	kA	4	4	4	11	11	10	10
	Max. OFA _{max} fuse size gG/aM	≤ 690 V	A	25/16	25/16	25/16	80/63	80/63	63/63	63/63
Rated short-time withstand current	r.m.s. -value I _{sw}	690 V, 1 s	kA	0.5	0.5	0.5	1	1.5	2.5	2.5
Rated short circuit making capacity	Peak value I _{sm}	690 V/500 V	kA	0.71	0.71	0.71	1.4	2.1	3.6	3.6
Rated capacitor power (the capacitor ratings are limited by the fuse link.)		400...415 V	kVAr	6.5	10	15	25	30	40	50
Power loss/pole	At rated operational current		W	0.3	0.6	1.6	2.8	4.5	4.0	6.3
Mechanical endurance	Divide by two for operation cycles		Oper.	20 000	20 000	20 000	20 000	20 000	20 000	20 000
Weight without accessories	3-pole		kg	0.11	0.11	0.11	0.27	0.27	0.36	0.36
	4-pole		kg	0.15	0.15	0.15	0.35	0.35	0.50	0.50
Cable size	Cu-wire size suitable		mm ²	0.75...10	0.75...10	0.75...10	1.5...35	1.5...35	10...70	10...70
	for terminal clamps		AWG	18-8	18-8	18-8	14-4	14-4	8-00	8-00
Terminal tightening torque	Counter torque required		Nm	0.8	0.8	0.8	2	2	6	6
Operating torque	3-pole switch-disconnector		Nm	1	1	1	1.2	1.2	2	2

¹⁾ Below 48 V, two poles in parallel up to OT80 are recommended particularly in polluted atmosphere.

²⁾ Acc. to IEC 60947-1, § 6.1.1.

Manual switch-disconnectors OT16...100, UL

Technical data for non fusible disconnect switches

2

Technical data according to UL/CSA, AC ratings				Switch type													
				OT16F		OT25F		OT40F		OT63F		OT80F		OT30F		OT60F	
Approval		cULus Listed		cULus Listed		cULus Listed		cULus Listed		cULus Listed		cULus Listed		cULus Listed		cULus Listed	
Compliance		UL508 CSA C22.2 No.14		UL508 CSA C22.2 No.14		UL508 CSA C22.2 No.14		UL508 CSA C22.2 No.14		UL508 CSA C22.2 No.14		UL98 CSA C22.2 No.4		UL98 CSA C22.2 No.4		UL98 CSA C22.2 No.4	
General purpose amp rating	pf= 0.7...0.8	-40° to 40 °C	A	20	30	40	60	80	30	60	100	150	60	60	150	100	
Max. operating voltage			V	600	600	600	600	600	600	600	600	600	600	600	600	600	
Max. horsepower rating / motor FLA current	pf= 0.4...0.5	240 V	HP/A	5/15.2	7.5/22.0	10/28.0	15/42.0	20/54.0	10/28.0	20/54.0	30/80.0	30/80.0	10/28.0	20/54.0	30/80.0	30/80.0	
			HP/A	10/14.0	15/21.0	20/27.0	30/40.0	40/52.0	20/27.0	40/52.0	50/65.0	50/65.0					
	Three phase	600 V	HP/A	10/11.0	20/22.0	25/27.0	30/32.0	40/41.0	30/32.0	40/41.0	50/52.0	50/52.0					
		Single phase	120 V	HP/A	1/16.0	1.5/20.0	2/24.0	2/24.0	2/24.0	2/24.0	3/34.0	5/56.0					
			240 V	HP/A	2/12.0	3/17.0	5/28.0	7.5/40.0	10/50.0	5/28.0	7.5/40.0	15/68.0					
480 V	HP/A	5/14.0	7.5/21.0	10/26.0	15/34.0	20/44.0	-	-	25/55.0	25/55.0							
600 V	HP/A	7.5/16.0	10/20.0	15/27.0	15/27.0	20/38.5	-	-	20/35.0	20/35.0							
Short circuit rating with fuse	Maximum fuse size			30	60	30	60	30	60	100	150	100	150	60	60	150	100
	Fuse type	J	kA	10	10	10	10	10	10	100	100	100	200	200	200	50	200
	Fuse type	T	kA	10	10	10	10	10	10	100	100	100	200	200	200	50	200
	Fuse type	RK1	kA	10	10	10	10	10	10	100	100	100	200	200	200	50	200
	Fuse type	RK5*	kA	5	5	5	5	5	5	10	5	10	5	10	5	10	5
	Fuse type	L	kA														
Fuse type	H	kA								5	5						
Endurances																	
Min. electrical endurance, pf. 0.75...0.8			oper. cycles	6 000	6 000	6 000	6 000	6 000	6 000	6 000	6 000	6 000	6 000	6 000	6 000	6 000	
Mechanical endurance			opera- tions	20 000	20 000	20 000	20 000	20 000	20 000	20 000	20 000	20 000	20 000	20 000	20 000	20 000	
Terminal lugs				integrated	integrated	integrated	integrated	integrated	integrated	integrated	integrated	integrated	integrated	integrated	integrated	integrated	
Copper wire range		60-75 °C	AWG	18-8	18-8	18-8	18-8	14-4	14-4	14-4	14-4	14-4	14-4	14-4	14-4	8-1/0	
Torque		Wire tightening	lb.in/ Nm	7/0.8	7/0.8	7/0.8	18/2	18/2	18/2	18/2	55/6.2	55/6.2	55/6.2	55/6.2	55/6.2	55/6.2	

* Fuse size 70A for RK5.

Manual switch-disconnectors OT16...100, UL

Technical data for non fusible disconnect switches

Technical data according to IEC 60947-3				Switch type							
				OT16F	OT25F	OT40F	OT63F	OT80F	OT30F	OT60F	OT100F
Rated insulation voltage and rated operational voltage AC20/DC20	Pollution degree 3		V	750	750	750	750	750	750	750	750
Dielectric strength		50 Hz 1min.	kV	6	6	6	6	6	6	6	6
Rated impulse withstand voltage			kV	8	8	8	8	8	8	8	8
Rated operational current, AC-22A		up to 415 V	A	16	25	40	63	80	40	63	100
		440...500 V	A	16	25	40	63	80	40	63	100
		690 V	A	16	25	40	63	80	40	63	100
Rated operational current, AC-23A		up to 415 V	A	16	20	23	45	75	40	63	80
		440 V	A	16	20	23	45	65	40	63	65
		500 V	A	16	20	23	45	58	40	63	60
		690 V	A	10	11	12	20	20	40	40	40
Rated conditional short-circuit current I_{cc} (r.m.s.) and corresponding max. allowed cut-off current \hat{i}_{cc} . The cut-off current \hat{i}_{cc} refers to values listed by fuse manufacturers (single phase test acc. to IEC60269).	I_{cc} (r.m.s.)	50 kA	kA	6.5	6.5	6.5	13	13	16.5	16.5	16.5
	Max. OFA_fuse size gG/aM	415 V	A	40/32	40/32	40/32	100/80	100/80	125/125	125/125	125/125
	\hat{i}_{cc} (r.m.s.)	10 kA	kA						8.2	8.2	8.2
	Max. OFA_fuse size gG/aM	690 V	A						125/100	125/100	125/100
	I_{cc} (r.m.s.)	50 kA	kA	4	4	4	11	11	10	10	10
	Max. OFA_fuse size gG/aM	690 V	A	25/16	25/16	25/16	80/63	80/63	63/63	63/63	63/63
Rated short-time withstand current	r.m.s. -value I_{cw}	690 V, 1 s	kA	0.5	0.5	0.5	1	1.5	2.5	2.5	2.5
Rated short circuit making capacity	Peak value I_{cm}	690 V/500 V	kA	0.71	0.71	0.71	1.4	2.1	3.6	3.6	3.6
Power loss / pole		At rated operational current	W	0.3	0.6	1.6	2.8	4.5	0.7	1.6	4.0
Mechanical endurance		Divide by two for operation cycles	Oper.	20 000	20 000	20 000	20 000	20 000	20 000	20 000	20 000
Weight without accessories		3-pole	kg	0.11	0.11	0.11	0.27	0.27	0.36	0.36	0.36
		4-pole	kg	0.15	0.15	0.15	0.35	0.35	0.50	0.50	0.50

Manual switch-disconnectors OT160G_, IEC and OT100...125, UL

Technical data for non fusible disconnect switches

Technical data according to UL98, CSA C22.2 No.4

				cULus Listed	UL Recognized
General purpose amp rating	pf=0.7...0.8	-40° to 40 °C	A	100	125
max. operating voltage			V	600	600
Max. horsepower rating/motor FLA current	pf=0.4...0.5	240Vac	HP/A	40/104	40/104
	Three phase	480Vac	HP/A	75/96	75/96
		600Vac	HP/A	100/99	100/99
	Single phase	240Vac	HP/A	20/88	20/88
		480Vac	HP/A	30/66	30/66
		240Vdc	HP/A	30/106	30/106
Fuse size/short circuit rating	Fuse type	J	A/kA	150/100	150/100
		T	A/kA	150/100	150/100
		RK5	A/kA	60/100	60/100

Endurances

Min. electrical endurance, pf. 0.75 - 0.8		Oper. cycles		6 000	6 000
Mechanical endurance		Operations		20 000	20 000
Terminal lug kits				integrated	integrated
Wire range	Use copper conductors only		AWG 60-75°C	8-1/0	8-1/0
Torque		Wire tightening	lb.in	53	53
Weight without accessories	3-pole switch		lb	0,5	0,5
	4-pole switch		lb	0,6	0,6
Minimum enclosure dimensions	Height x width x depth		mm	400 X 600 X 230	
			in	15.75 X 23.62 X 9.06	

Technical data according to IEC 60947

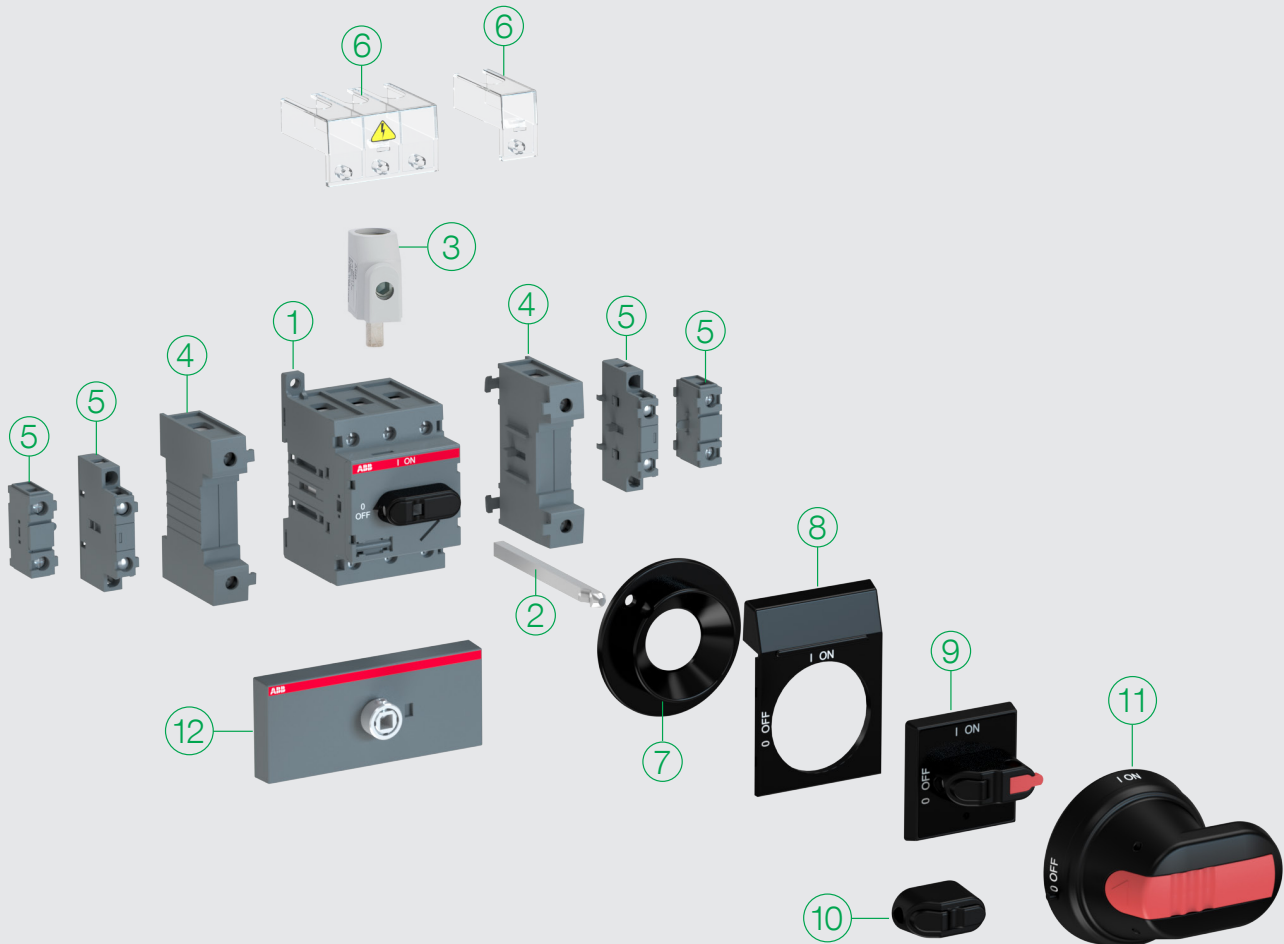
Rated insulation voltage		Pollution degree 3		V	1 000
Dielectric strength		50 Hz 1min.		kV	10
Rated impulse withstand voltage				kV	12
Rated thermal current in ambient 35 °C and temporarily 40 °C		In open air		A	160
		In enclosure		A	160
...with minimum cable or bar cross section		Cu		mm ²	70
Rated operational voltage AC-20 and DC-20				V	1 000
Rated operational current, AC-21A, AC-22A, AC-23A		up to 415 V		A	160
		500 V		A	160
		690 V		A	160
Rated operational current / poles in series for DC-21A, DC-22A, DC23A		Up to 220 V		A	160/2
		440 V		A	125/3
		680 V		A	125/4
Rated operational power, AC-23	The kW-ratings are accurate for three-phase 1500 R.P.M. standard asynchronous motors.	230 V		kW	45
		400 V		kW	75
		415 V		kW	75
		500 V		kW	90
		690 V		kW	132
Rated breaking capacity in category AC-23		up to 500 V		A	1 280
		690 V		A	1 280
Rated conditional short-circuit current max. allowed cut-off current, peak value. The cut-off currents refer to single phase fuse tests according to fuse manufacturers declarations. For combination starters, see coordination tables.	at prospective SC-current max. OFA_ fuse size gG / aM	100 kA, 500 V		kA	30
		50 kA, 690 V		A	200/200
				kA	24
				A	200/200
Rated short-time withstand current	R.M.S.-value I _{cw}	690 V	0,25s	kA	7
		690 V	1s	kA	4
Rated short-circuit making capacity	Peak value I _{cm}	690 V		kA	12
Rated capacitor power when no initial charge on the capacitor	Capacitor ratings limited by fuse links	415 V		kVAr	65
Power loss / pole	With rated current			W	6,5
Mechanical endurance	Divide by two for operation cycles			Oper.	20 000
Weight without accessories	3-pole switch			kg/lb	1,1/0,5
	4-pole switch			kg/lb	1,3/0,6
Standard shaft and mounting depth	Square dimension x length of shaft			mm	6X210
	Corresponding mounting depth			mm/in	230-248/9.2-9.9
Standard handle				Type	0HB65J6
Cu-wire size suitable for terminal	60-75 °C			mm ² / AWG	10-70 / 8-1/0
Terminal tightening torque				Nm / lb-in	6/53
Operating torque	Typical for 3 and 4-pole switches			Nm / lb-in	4/35.3



Manual switch-disconnectors OT16...160

Ordering information

2



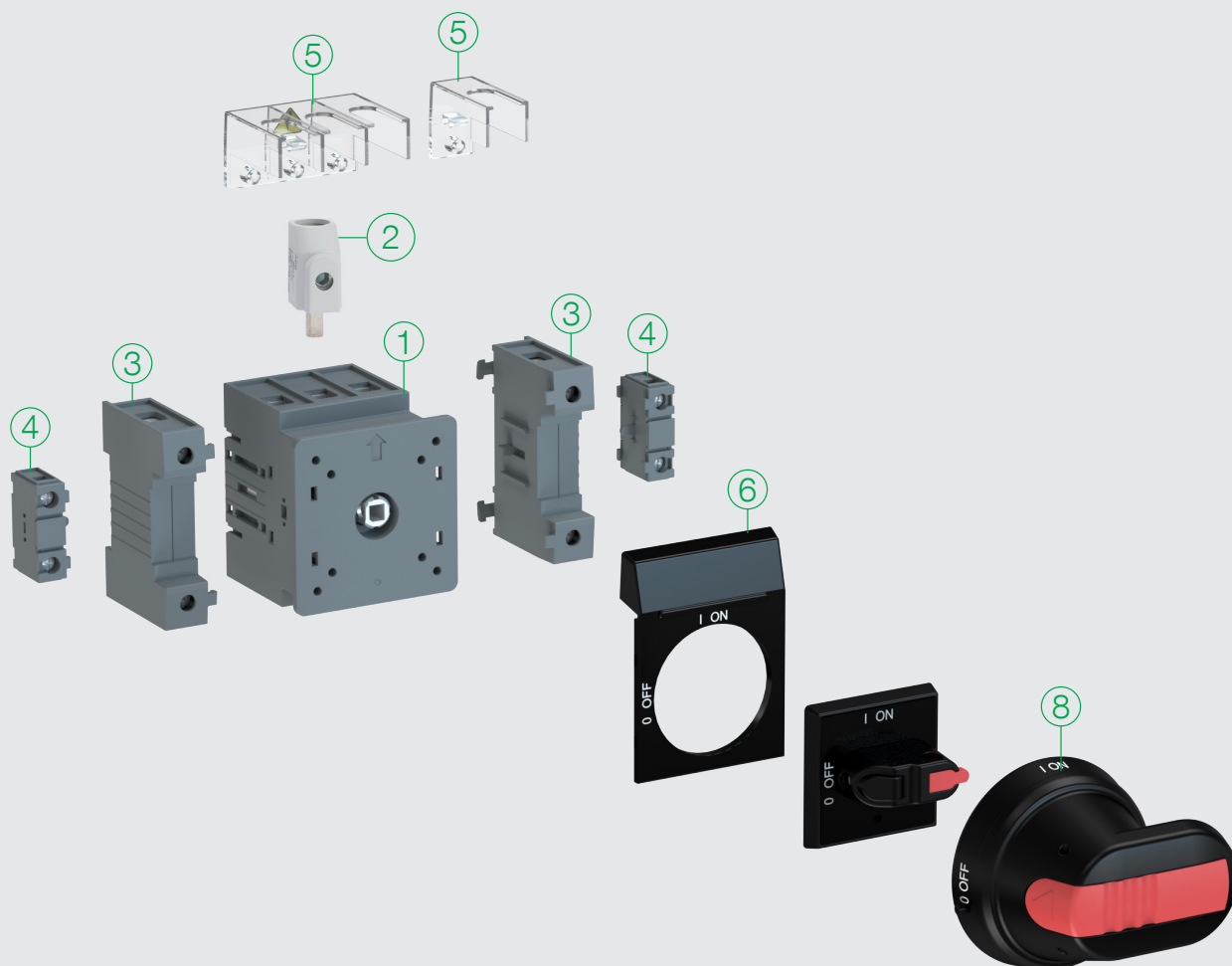
Accessory guide for OT16F...125F (base and DIN-rail mounted switch-disconnectors)

- | | |
|--|---------------------------|
| 1. Switch-disconnector | 7. Shaft alignment ring |
| 2. Extended shaft | 8. Legend plate |
| 3. Terminal clamp | 9. Selector handle |
| 4. Fourth pole,
N- and PE-terminals | 10. Handle knob |
| 5. Auxiliary contact | 11. Pistol handle |
| 6. Terminal shroud | 12. Conversion kit |
| | 13. Labelling accessories |

Please note that listed accessories are not automatically included in your order.

Manual switch-disconnectors OT16...160

Ordering information



Accessory guide for OT16F...125F (door mounted switch-disconnectors)

- | | |
|--|--------------------|
| 1. Switch-disconnector | 5. Terminal shroud |
| 2. Terminal clamp | 6. Legend plate |
| 3. Fourth pole,
N- and PE-terminals | 7. Selector handle |
| 4. Auxiliary contact | 8. Pistol handle |

Please note that listed accessories are not automatically included in your order.

Manual switch-disconnectors OT16...160, IEC

Ordering information

2



OT16...40F3



OT63...80F3



OT100...125F3



OT125FLB3

Front operated switch-disconnectors, base and DIN-rail mounting, IEC

Including protected terminal clamps IP20, except OT125FL_ types.

Handle and shaft are not included.

Number of poles	Open air thermal current I_{th} [A]	Copper cable cross section [mm ²]	Rated operat. currents AC22A/AC23A 400...415V [A/A]	Type	Order number	Weight/unit [kg]
3	25	0.75...10	16/16	OT16F3	1SCA104811R1001	0.11
4	25	0.75...10	16/16	OT16F4N2	1SCA104829R1001	0.14
3	32	0.75...10	25/20	OT25F3	1SCA104857R1001	0.11
4	32	0.75...10	25/20	OT25F4N2	1SCA104886R1001	0.14
3	40	0.75...10	40/23	OT40F3	1SCA104902R1001	0.11
4	40	0.75...10	40/23	OT40F4N2	1SCA104932R1001	0.14
3	63	1.5...35	63/45	OT63F3	1SCA105332R1001	0.27
4	63	1.5...35	63/45	OT63F4N2	1SCA105365R1001	0.30
3	80	1.5...35	80/75	OT80F3	1SCA105798R1001	0.27
4	80	1.5...35	80/75	OT80F4N2	1SCA105413R1001	0.30
3	115	10...70	100/80	OT100F3	1SCA105004R1001	0.36
4	115	10...70	100/80	OT100F4N2	1SCA105018R1001	0.50
3	125	10...70	125/90	OT125F3	1SCA105033R1001	0.36
4	125	10...70	125/90	OT125F4N2	1SCA105051R1001	0.50
3	125		125/90	OT125FL3 ¹⁾	1SCA112372R1001	0.43
3	125		125/90	OT125FLA3 ²⁾	1SCA114832R1001	0.43
3	125		125/90	OT125FLB3 ³⁾	1SCA114833R1001	0.43

¹⁾ Extended terminals on both sides of the switch

²⁾ Extended terminals on top side only

³⁾ Extended terminals on bottom side only

Front operated switch-disconnectors, installation switch, base and DIN-rail mounting, IEC

Including a black knob handle and protected terminal clamps IP20. For standard 45 mm opening. OT16...125M: padlockable in OFF-position with one padlock (bail dia 5 mm).

For switches OT16M...40M, 45 mm adapter handles are available. More information in page 39.

OT16...25M4



OT63M4



OT100M4

Number of poles / modules	Open air thermal current I_{th} [A]	Copper cable cross section [mm ²]	Rated operat. currents AC22A/AC23A 400...415V [A/A]	Type	Order number	Weight/unit [kg]
3/2	16	0.75...10	16/16	OT16M3	1SCA022497R0220	0.11
4/3	16	0.75...10	16/16	OT16M4	1SCA022497R0730	0.14
3/2	25	0.75...10	25/20	OT25M3	1SCA022497R0310	0.11
4/3	25	0.75...10	25/20	OT25M4	1SCA022497R0650	0.14
3/2	40	0.75...10	40/23	OT40M3	1SCA022497R0490	0.11
4/3	40	0.75...10	40/23	OT40M4	1SCA022497R0570	0.14
3/3	80	1.5...35	80/75	OT63ML3	1SCA022530R5770	0.27
4/4	80	1.5...35	80/75	OT63ML4	1SCA022530R6400	0.30
3/4	125	10...70	125/90	OT125M3	1SCA022429R9140	0.4
4/6	125	10...70	125/90	OT125M4	1SCA022429R9220	0.5

Manual switch-disconnectors OT16...160, IEC

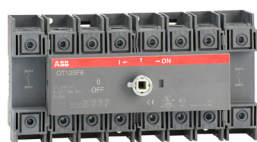
Ordering information



OT16...40F6



OT63...80F8



OT100...125F8

Front operated 6- and 8-pole switch-disconnectors, base and DIN-rail mounting, IEC

Including protected terminal clamps, IP20. Handle and shaft are not included.

Number of poles	Open air thermal current I_{th} [A]	Copper cable cross section [mm ²]	Rated operat. currents AC22A/AC23A 400...415V [A/A]	Type	Order number	Weight/unit [kg]
6	25	0.75...10	16/16	OT16F6	1SCA104834R1001	0.25
6	32	0.75...10	25/20	OT25F6	1SCA104880R1001	0.25
6	40	0.75...10	40/23	OT40F6	1SCA104936R1001	0.25
6	63	1.5...35	63/45	OT63F6	1SCA105379R1001	0.61
6	80	1.5...35	80/75	OT80F6	1SCA105427R1001	0.61
6	115	10...70	100/80	OT100F6	1SCA105021R1001	0.81
6	125	10...70	125/90	OT125F6	1SCA105057R1001	0.81
8	25	0.75...10	16/16	OT16F8	1SCA104836R1001	0.31
8	32	0.75...10	25/20	OT25F8	1SCA104882R1001	0.31
8	40	0.75...10	40/23	OT40F8	1SCA104938R1001	0.31
8	63	1.5...35	63/45	OT63F8	1SCA105381R1001	0.67
8	80	1.5...35	80/75	OT80F8	1SCA105429R1001	0.67
8	115	10...70	100/80	OT100F8	1SCA105022R1001	1.10
8	125	10...70	125/90	OT125F8	1SCA105059R1001	1.10

2



OT16...40FT3



OT63...80FT3



OT100...125FT3

Front operated switch-disconnectors, door mounting, IEC

Including protected terminal clamps, IP20. Handle and shaft are not included.

Number of poles	Open air thermal current I_{th} [A]	Copper cable cross section [mm ²]	Rated operat. currents AC22A/AC23A 400...415V [A/A]	Type	Order number	Weight/unit [kg]
3	25	0.75...10	16/16	OT16FT3	1SCA104838R1001	0.13
4	25	0.75...10	16/16	OT16FT4N2	1SCA105711R1001	0.16
3	32	0.75...10	25/20	OT25FT3	1SCA104884R1001	0.13
4	32	0.75...10	25/20	OT25FT4N2	1SCA104900R1001	0.16
3	40	0.75...10	40/23	OT40FT3	1SCA104940R1001	0.13
4	40	0.75...10	40/23	OT40FT4N2	1SCA104956R1001	0.16
3	63	1.5...35	63/45	OT63FT3	1SCA105382R1001	0.28
4	63	1.5...35	63/45	OT63FT4N2	1SCA105393R1001	0.35
3	80	1.5...35	80/75	OT80FT3	1SCA105431R1001	0.28
4	80	1.5...35	80/75	OT80FT4N2	1SCA105499R1001	0.35
3	115	10...70	100/80	OT100FT3	1SCA105023R1001	0.40
4	115	10...70	100/80	OT100FT4N2	1SCA105031R1001	0.54
3	125	10...70	125/90	OT125FT3	1SCA105060R1001	0.40
4	125	10...70	125/90	OT125FT4N2	1SCA105066R1001	0.54

Manual switch-disconnectors OT16...160, UL

Ordering information for non-fusible disconnect switches

2



OT16...40F3



OT63...80F3

Front operated non-fusible disconnect switches, base and DIN-rail mounting, UL/CSA

Handle and shaft are not included.

Number of poles	Ampere rating [A]	Horsepower rating 3-phase [HP]			Type	Order number	Weight/unit	
		240VAC	480VAC	600VAC			[kg]	[lb]
3	20	5	10	10	OT16F3	1SCA104811R1001	0.11	0.24
4	20	5	10	10	OT16F4N2	1SCA104829R1001	0.14	0.31
3	30	7,5	15	20	OT25F3	1SCA104857R1001	0.11	0.24
4	30	7,5	15	20	OT25F4N2	1SCA104886R1001	0.14	0.31
3	40	10	20	25	OT40F3	1SCA104902R1001	0.11	0.24
4	40	10	20	25	OT40F4N2	1SCA104932R1001	0.14	0.31
3	60	15	30	30	OT63F3	1SCA105332R1001	0.27	0.60
4	60	15	30	30	OT63F4N2	1SCA105365R1001	0.3	0.66
3	80	20	40	40	OT80F3	1SCA105798R1001	0.27	0.60
4	80	20	40	40	OT80F4N2	1SCA105413R1001	0.3	0.66
3	30	10	20	30	OT30F3	1SCA105068R1001	0.36	0.79
4	30	10	20	30	OT30F4N2	1SCA108347R1001	0.5	1.10
3	60	20	40	40	OT60F3	1SCA105076R1001	0.36	0.79
4	60	20	40	40	OT60F4N2	1SCA108348R1001	0.5	1.10
3	100	30	50	50	OT100F3	1SCA105004R1001	0.36	0.79
4	100	30	50	50	OT100F4N2	1SCA105018R1001	0.5	1.10

Approvals:

- OT16,25,40,63,80: UL 508, CSA 22-2 No.14
- OT30,60,100: UL 98, CSA 22-2 No.4
- IEC 60947-3



OT30...100F3



OT16...40F6



OT63...80F8



OT100F8

Front operated 6- and 8-pole non-fusible disconnect switches, base and DIN-rail mounting, UL/CSA

Handle and shaft are not included.

Number of poles	Ampere rating [A]	Horsepower rating 3-phase [HP]			Type	Order number	Weight/unit	
		240VAC	480VAC	600VAC			[kg]	[lb]
6	20	5	10	10	OT16F6	1SCA104834R1001	0.25	0.55
6	30	7,5	15	20	OT25F6	1SCA104880R1001	0.25	0.55
6	40	10	20	25	OT40F6	1SCA104936R1001	0.25	0.55
6	60	15	30	30	OT63F6	1SCA105379R1001	0.61	1.35
6	80	20	40	40	OT80F6	1SCA105427R1001	0.61	1.35
6	100	30	50	50	OT100F6	1SCA105021R1001	0.81	1.79
6	100	30	50	50	OT125F6	1SCA105057R1001	0.81	1.79
8	20	5	10	10	OT16F8	1SCA104836R1001	0.31	0.68
8	30	7,5	15	20	OT25F8	1SCA104882R1001	0.31	0.68
8	40	10	20	25	OT40F8	1SCA104938R1001	0.31	0.68
8	60	15	30	30	OT63F8	1SCA105381R1001	0.67	1.48
8	80	20	40	40	OT80F8	1SCA105429R1001	0.67	1.48
8	100	30	50	50	OT100F8	1SCA105022R1001	1.10	2.43

Manual switch-disconnectors OT16...160, UL

Ordering information for non-fusible disconnect switches



OT16...40FT3



OT63...80FT3



OT30...100FT3



OT30...100FT4N2

Front operated non-fusible disconnect switches, door mounting, UL/CSA

Handle and shaft not included.

Number of poles	Ampere rating [A]	Horsepower rating 3-phase [HP]			Type	Order number	Weight/unit	
		240VAC	480VAC	600VAC			[kg]	[lb]
3	20	5	10	10	OT16FT3	1SCA104838R1001	0.13	0.29
4	20	5	10	10	OT16FT4N2	1SCA105711R1001	0.16	0.35
3	30	7.5	15	20	OT25FT3	1SCA104884R1001	0.13	0.29
4	30	7.5	15	20	OT25FT4N2	1SCA104900R1001	0.16	0.35
3	40	10	20	25	OT40FT3	1SCA104940R1001	0.13	0.29
4	40	10	20	25	OT40FT4N2	1SCA104956R1001	0.16	0.35
3	60	15	30	30	OT63FT3	1SCA105382R1001	0.28	0.62
4	60	15	30	30	OT63FT4N2	1SCA105393R1001	0.35	0.77
3	80	20	40	40	OT80FT3	1SCA105431R1001	0.28	0.62
4	80	20	40	40	OT80FT4N2	1SCA105499R1001	0.35	0.77
3	30	20	40	40	OT30FT3	1SCA105074R1001	0.44	0.97
4	30	20	40	40	OT30FT4N2	1SCA109443R1001	0.56	1.23
3	60	20	40	40	OT60FT3	1SCA105081R1001	0.44	0.97
4	60	20	40	40	OT60FT4N2	1SCA109444R1001	0.56	1.23
3	100	30	50	50	OT100FT3	1SCA105023R1001	0.44	0.97
4	100	30	50	50	OT100FT4N2	1SCA105031R1001	0.56	1.23

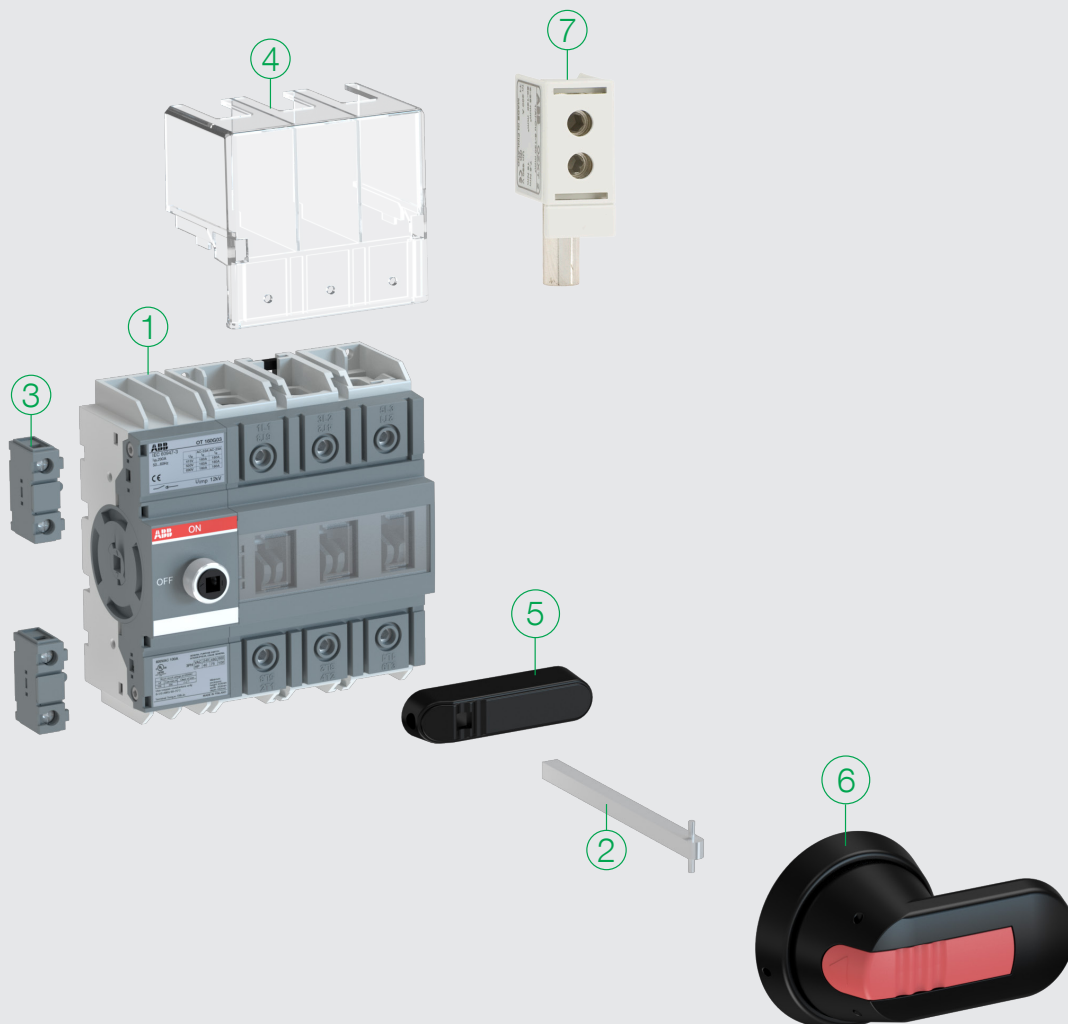
Approvals:

- OT16,25,40,63,80: UL 508. CSA 22-2 No.14
- OT30,60,100: UL 98. CSA 22-2 No.4
- IEC 60947-3

Manual switch-disconnectors OT16...160

Ordering information

2



Accessory guide for OT160G (base and DIN-rail mounted switch-disconnectors)

- | | |
|------------------------|-------------------|
| 1. Switch-disconnector | 5. Handle knob |
| 2. Extended shaft | 6. Pistol handle |
| 3. Auxiliary contact | 7. Terminal clamp |
| 4. Terminal shroud | |

Please note that listed accessories are not automatically included in your order.

Manual switch-disconnectors OT16...160, IEC/UL

Ordering information



OT160G03K



OT160G04P



OT160GT03P



OT160GT04

OT160G switch-disconnectors, base and DIN-rail mounting, IEC Non-fusible disconnect switches, base and DIN-rail mounting, UL/CSA

The types with K at the end include direct mount handle YAST1.

The base mounted types with P at the end include external handle OHB65J6 and shaft OXP6X210. Front and side operation is possible with the same handle and shaft.

Number of poles	Rated operational currents [A]			Type code	Order number	Weight/unit	
	UL98 Listed, 600 V	UL 98 Recognized, 600 V	AC22A/ AC23A, 690 V			[kg]	[lb]
3	100	125	160/160	OT160G03	1SCA135134R1001	1.1	2.43
3	100	125	160/160	OT160G03K	1SCA138208R1001	1.2	2.65
3	100	125	160/160	OT160G03P	1SCA135139R1001	1.3	2.87
4	100	125	160/160	OT160G04	1SCA135135R1001	1.3	2.87
4	100	125	160/160	OT160G04K	1SCA138215R1001	1.4	3.09
4	100	125	160/160	OT160G04P	1SCA135140R1001	1.4	3.09
3	100	125	160/160	OT160G30	1SCA138207R1001	1.1	2.43
3	100	125	160/160	OT160G30K	1SCA138209R1001	1.2	2.65
3	100	125	160/160	OT160G30P	1SCA135138R1001	1.2	2.65
4	100	125	160/160	OT160G40	1SCA138213R1001	1.3	2.87
4	100	125	160/160	OT160G40K	1SCA138214R1001	1.4	3.09
4	100	125	160/160	OT160G40P	1SCA138216R1001	1.4	3.09

Approvals:
- UL98, CSA 22-2 No.4
- IEC 60947-3

OT160G switch-disconnectors, door mounting, IEC Non-fusible disconnect switches, door mounting, UL/CSA

The door mounted types with P at the end include external handle OHB65J6, shaft OXP6X210 and mounting kit OHZX6. Front and side operation is possible with the same handle and shaft.

Number of poles	Rated operational currents [A]			Type code	Order number	Weight/unit	
	UL98 Listed, 600 V	UL 98 Recognized, 600 V	AC22A/ AC23A, 690 V			[kg]	[lb]
Door mounted versions							
3	100	125	160/160	OT160GT03	1SCA135136R1001	1.2	2.65
3	100	125	160/160	OT160GT03P	1SCA135141R1001	1.2	2.65
4	100	125	160/160	OT160GT04	1SCA135137R1001	1.3	2.87
4	100	125	160/160	OT160GT04P	1SCA135142R1001	1.3	2.87
3	100	125	160/160	OT160GT30	1SCA138220R1001	1.2	2.65
3	100	125	160/160	OT160GT30P	1SCA135143R1001	1.2	2.65
4	100	125	160/160	OT160GT40	1SCA138221R1001	1.3	2.87
4	100	125	160/160	OT160GT40P	1SCA135144R1001	1.3	2.87

Approvals:
- UL98, CSA 22-2 No.4
- IEC 60947-3

Manual switch-disconnectors OT16...160

Dimensional drawings

2

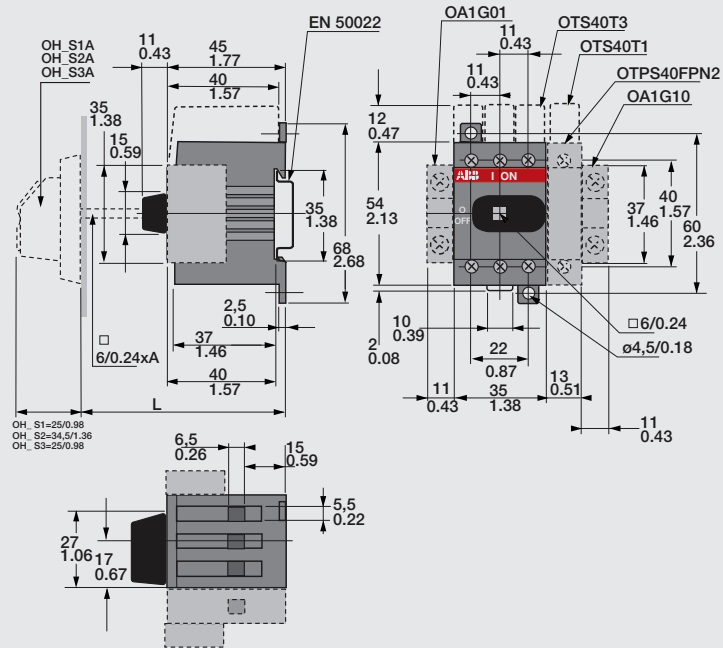
Front operated switch-disconnectors, base and DIN-rail mounting, IEC and UL/CSA

OT16...40F3, _F4

mm/in

Shafts OXS	Handle OH_S1	Handle OH_S2
A [mm/in]	L min-max	L min-max
85/3.35	107-126/4.22-4.96	93-110/3.66-4.33
105/4.14	127-146/5-5.75	113-130/4.45-5.12
120/4.73	142-161/5.59-6.34	128-145/5.04-5.71
130/5.13	152-171/5.99-6.74	138-165/5.44-6.11
160/6.3	182-201/7.17-7.92	168-185/6.62-7.29
180/7.09	202-221/7.96-8.71	188-205/7.4-8.08
250/9.85	272-291/10.71-11.46	258-275/10.16-10.83
330/13	352-371/13.87-14.62	338-355/13.32-13.99

Shafts OX	Handle OZ331_P
A [mm/in]	L min-max
60/2.36	92-120/3.62-4.73
85/3.35	117-145/4.61-5.71
105/4.14	137-165/5.4-6.5
115/4.53	147-175/5.79-6.89
130/5.12	162-190/6.38-7.48
155/6.11	187-215/7.37-8.47
200/7.88	232-260/9.14-10.24
300/11.82	332-360/13.08-14.18

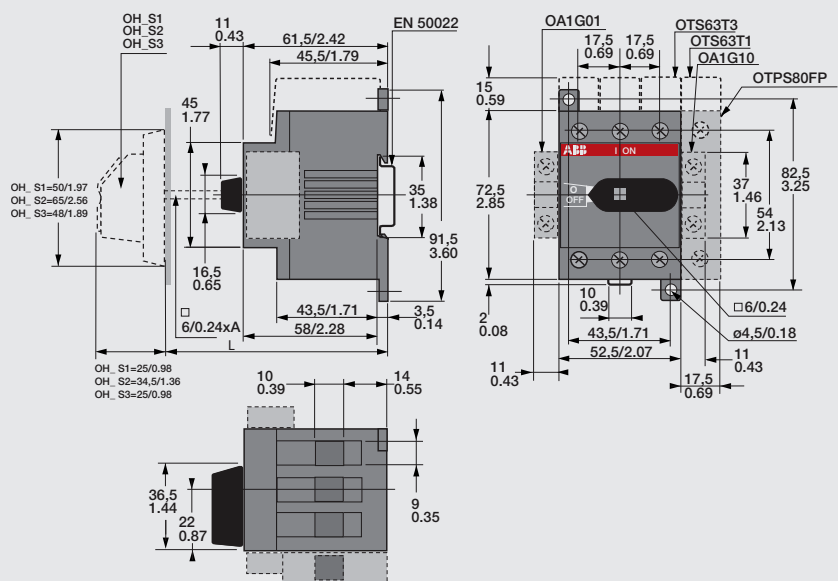


OT63...80F3, _F4

mm/in

Shafts OXS	Handle OH_S1	Handle OH_S2
A [mm/in]	L min-max	L min-max
85/3.35	123,5-142,5/4.87-5.61	109,5-126,5/4.31-4.98
105/4.14	143,5-162,5/5.65-6.4	129,5-146,5/5.1-5.77
120/4.73	158,5-177,5/6.24-6.99	144,5-161,5/5.69-6.36
130/5.13	168,5-187,5/6.64-7.38	154,5-171,5/6.09-6.75
160/6.3	198,5-217,5/7.82-8.57	184,5-201,5/7.27-7.94
180/7.09	218,5-237,5/8.61-9.36	204,5-221,5/8.06-8.73
250/9.85	288,5-307,5/11.36-12.12	274,5-291,5/10.81-11.48
330/13	368,5-398,5/14.52-15.7	354,5-371,5/13.97-14.63

Shafts OX	Handle OZ331_P
A [mm/in]	L min-max
60/2.36	108,5-136,5/4.27-5.38
85/3.35	133,5-161,5/5.26-6.36
105/4.14	153,5-181,5/6.05-7.15
115/4.53	163,5-191,5/6.44-7.54
130/5.12	178,5-208,5/7.03-8.14
155/6.11	203,5-231,5/8.02-9.12
200/7.88	248,5-276,5/9.79-10.89
300/11.82	348,5-376,5/13.73-14.83



Manual switch-disconnectors OT16...160

Dimensional drawings

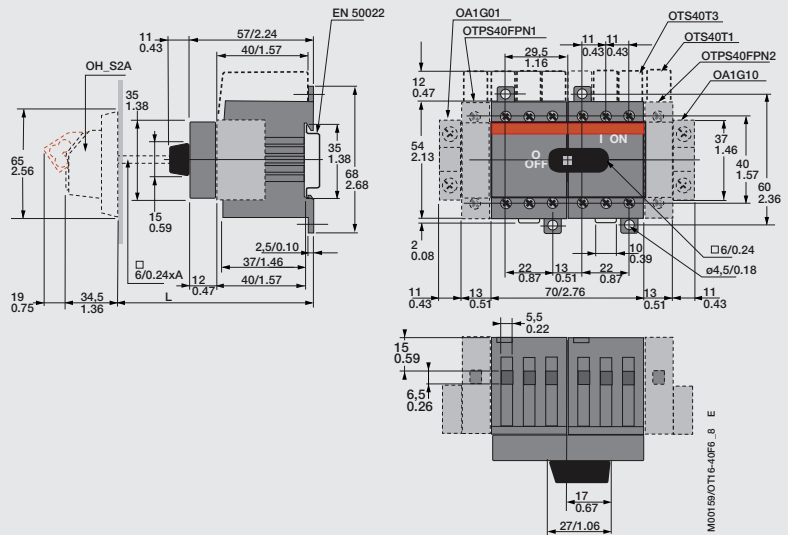
Front operated 6- and 8-pole switch-disconnectors, base and DIN-rail mounting, IEC and UL/CSA

OT16...40F6, _F8

mm/in

Shafts OXS	Handle OH_S1	Handle OH_S2
A [mm/in]	L min/max	L min/max
85/3.35	110-120/4.33-4.73	124-136/4.88-5.36
105/4.14	130-140/ 5.12-5.51	144-156/5.67-6.14
120/4.73	145-155/ 5.71-6.11	159-171/ 6.26-6.74
130/5.13	155-165/ 6.11-6.5	169-181/ 6.66-7.13
160/6.3	185-195/ 7.29-7.69	199-211/ 7.84-8.31
180/7.09	205-215/ 8.08-8.47	219-231/ 8.63-9.1
250/9.85	272-285/ 10.71-11.23	289-301/ 11.38-11.86
330/13	355-365/ 13.99-14.38	369-381/ 14.54-15.01

Shafts OX	Handle OZ331_P
A [mm/in]	L min/max
60/2.36	109-130/4.29-5.12
85/3.35	134-155/5.28-6.11
105/4.14	154-175/6.07-6.89
115/4.53	164-185/6.46-7.29
130/5.12	179-200/7.06-7.88
155/6.11	204-225/8.04-8.86
200/7.88	249-270/9.86-10.64
300/11.82	349-370/13.75-14.58

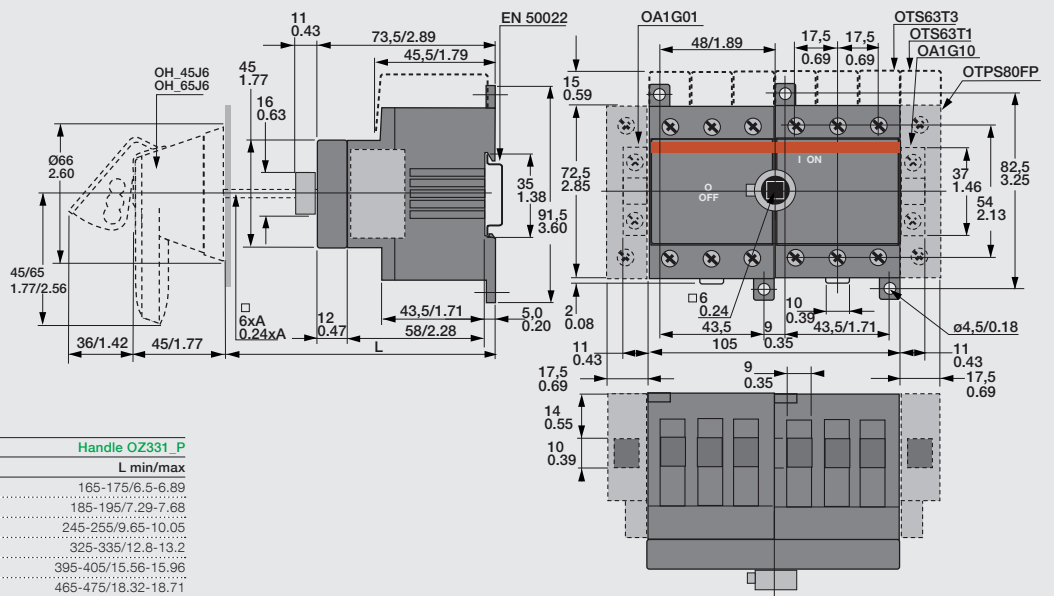


Front operated 6- and 8-pole switch-disconnectors, base and DIN-rail mounting, IEC and UL/CSA

OT63...80F6, _F8

mm/in

OH_45J6, OH_65J6	Handle OZ331_P
A [mm/in]	L min/max
130/5.12	165-175/6.5-6.89
150/5.91	185-195/7.29-7.68
210/8.27	245-255/9.65-10.05
290/11.42	325-335/12.8-13.2
360/14.18	395-405/15.56-15.96
430/16.94	465-475/18.32-18.71



Manual switch-disconnectors OT16...160

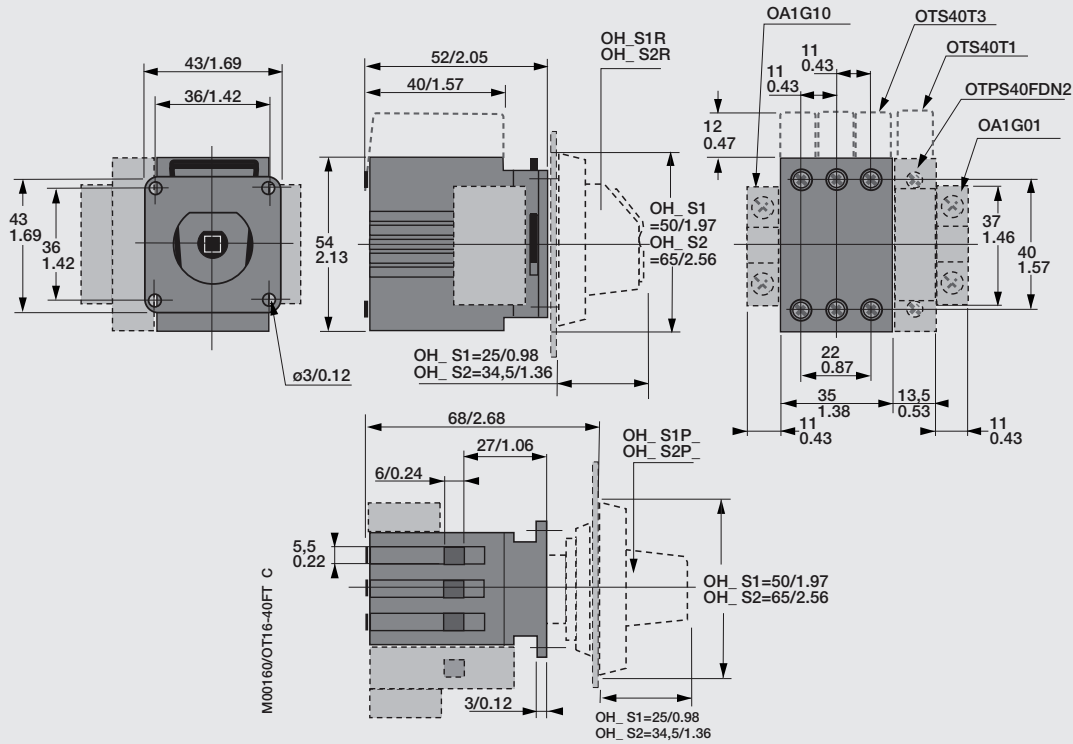
Dimensional drawings

2

Front operated switch-disconnectors, door mounting, IEC

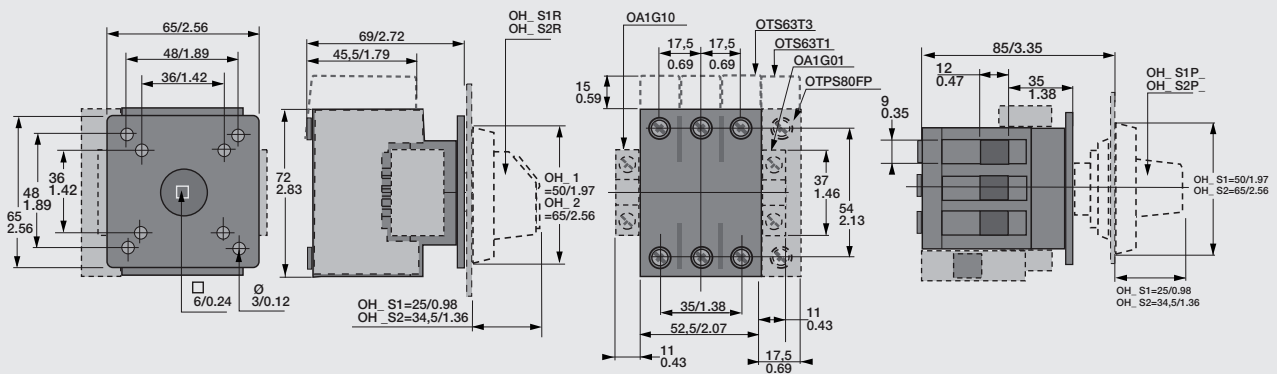
OT16...40FT3, _FT4, door mounting

mm/in



OT63...80FT3, _FT4, door mounting

mm/in



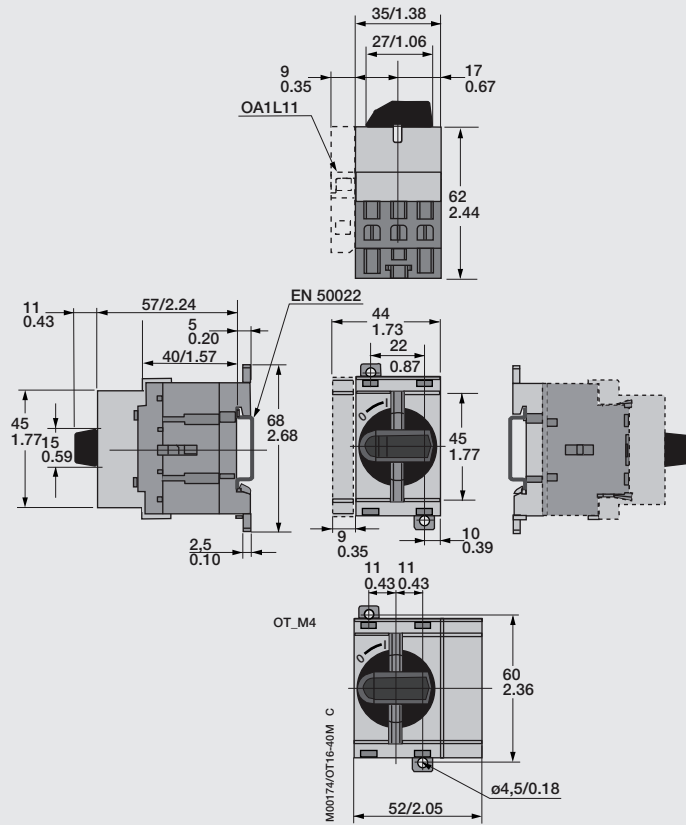
Manual switch-disconnectors OT16...160

Dimensional drawings

Front operated switch-disconnectors, installation switches, base and DIN-rail mounting, IEC

OT16...40M

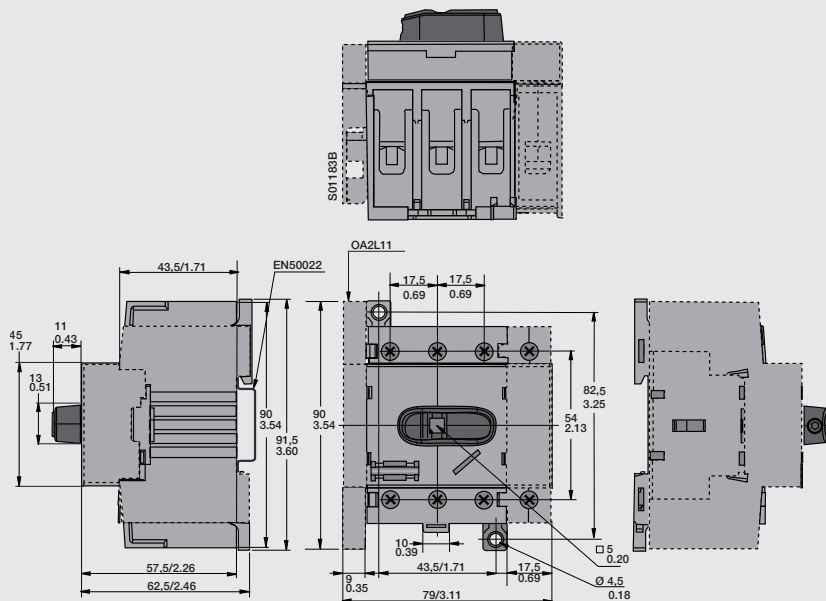
mm/in



Front operated switch-disconnectors, base and DIN-rail mounting, IEC and UL/CSA

OT63ML

mm/in



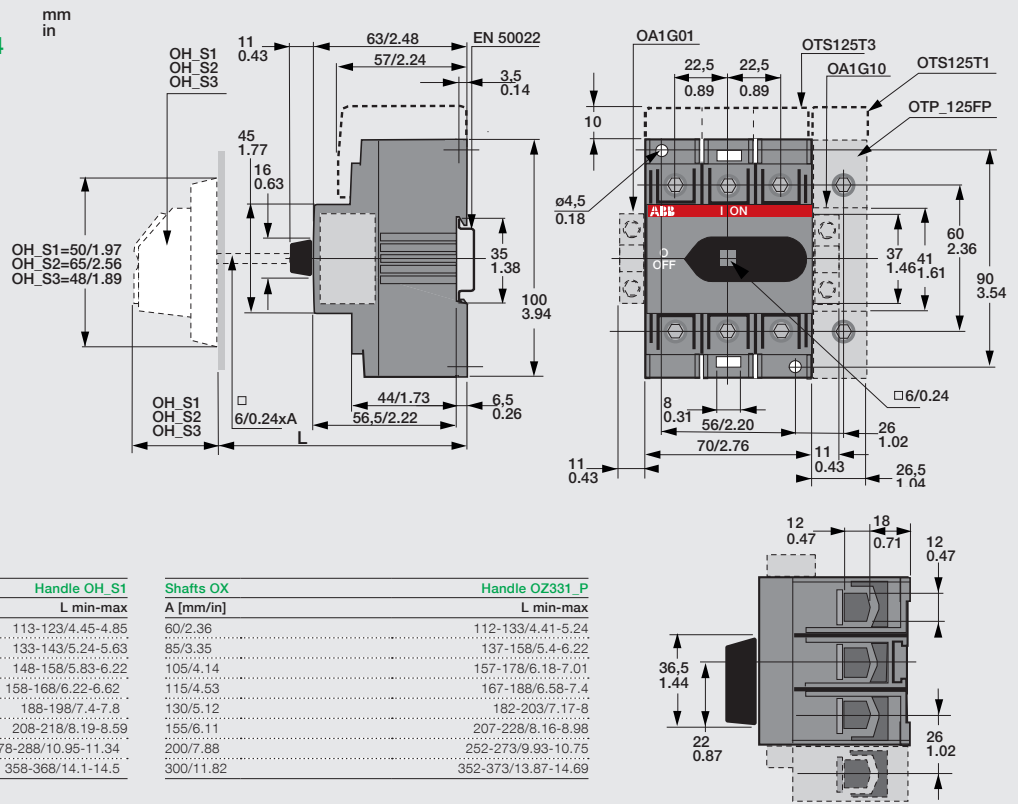
Manual switch-disconnectors OT16...160

Dimensional drawings

2

OT30, 60, 100, 125F3, _F4

mm/in

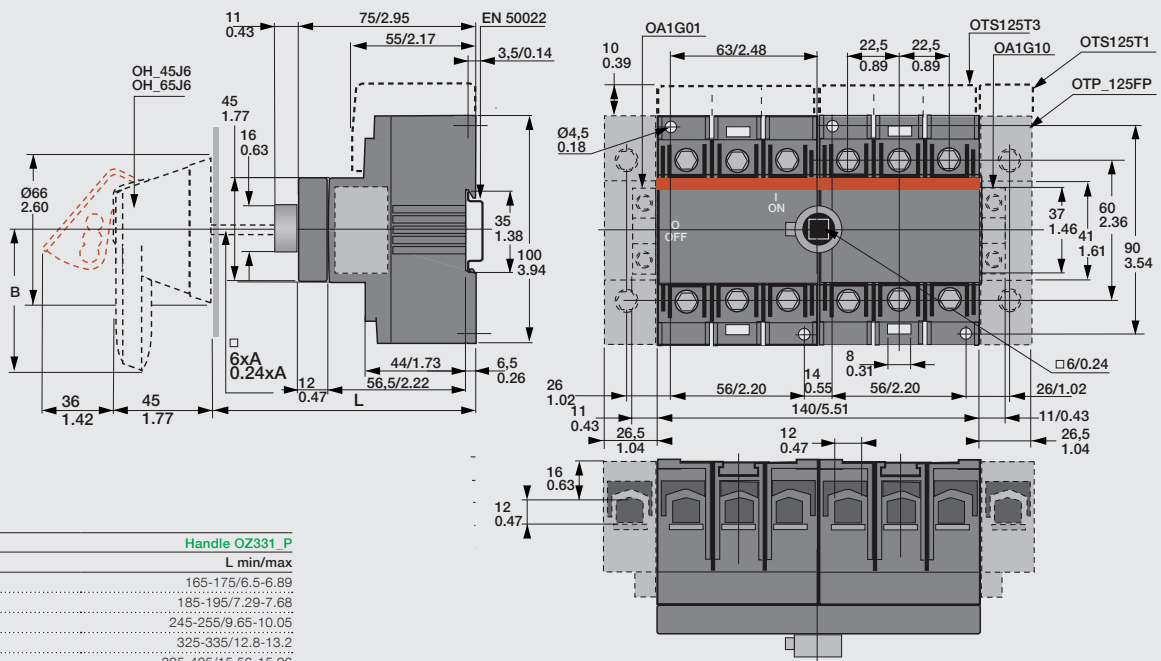


Shafts OXS	Handle OH_S2	Handle OH_S1
A [mm/in]	L min-max	L min-max
85/3.35	127-139/5-5.48	113-123/4.45-4.85
105/4.14	147-159/5.79-6.26	133-143/5.24-5.63
120/4.73	162-174/6.38-6.85	148-158/5.83-6.22
130/5.13	172-184/6.77-7.25	158-168/6.22-6.62
160/6.3	202-214/7.96-8.43	188-198/7.4-7.8
180/7.09	222-234/8.75-9.22	208-218/8.19-8.59
250/9.85	292-304/11.5-11.98	278-288/10.95-11.34
330/13	372-384/14.65-15.13	358-368/14.1-14.5

Shafts OX	Handle OZ331_P
A [mm/in]	L min-max
60/2.36	112-133/4.41-5.24
85/3.35	137-158/5.4-6.22
105/4.14	157-178/6.18-7.01
115/4.53	167-188/6.58-7.4
130/5.12	182-203/7.17-8
155/6.11	207-228/8.16-8.98
200/7.88	252-273/9.93-10.75
300/11.82	352-373/13.87-14.69

OT100...125F6, _F8

mm/in



OH_45J6 OH_65J6	Handle OZ331_P
A [mm/in]	L min/max
130/5.12	165-175/6.5-6.89
150/5.91	185-195/7.29-7.68
210/8.27	245-255/9.65-10.05
290/11.42	325-335/12.8-13.2
360/14.18	395-405/15.56-15.96
430/16.94	465-475/18.32-18.71

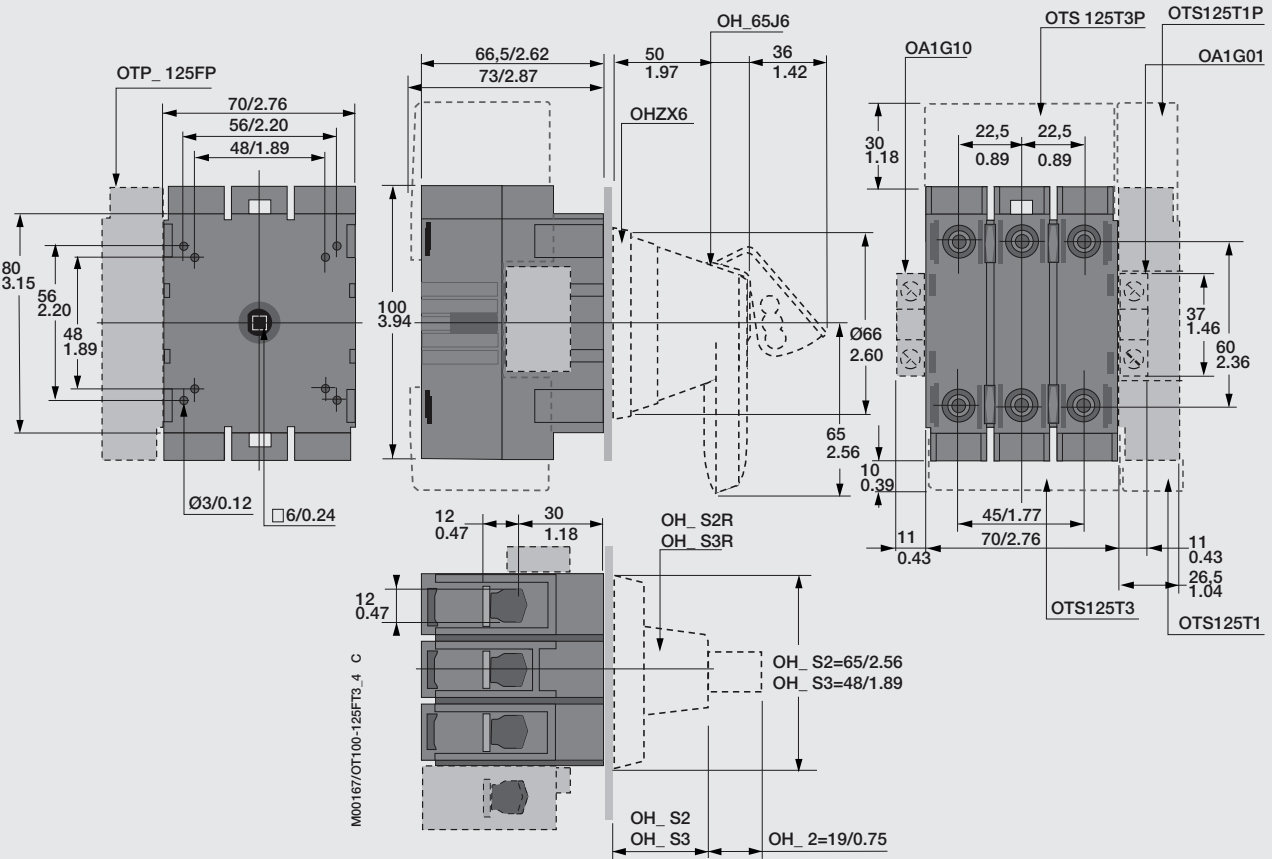
Manual switch-disconnectors OT16...160

Dimensional drawings

Front operated switch-disconnectors, door mounting, IEC and UL/CSA

OT100...125FT3, _FT4, door mounting

mm/in



Manual switch-disconnectors OT16...160

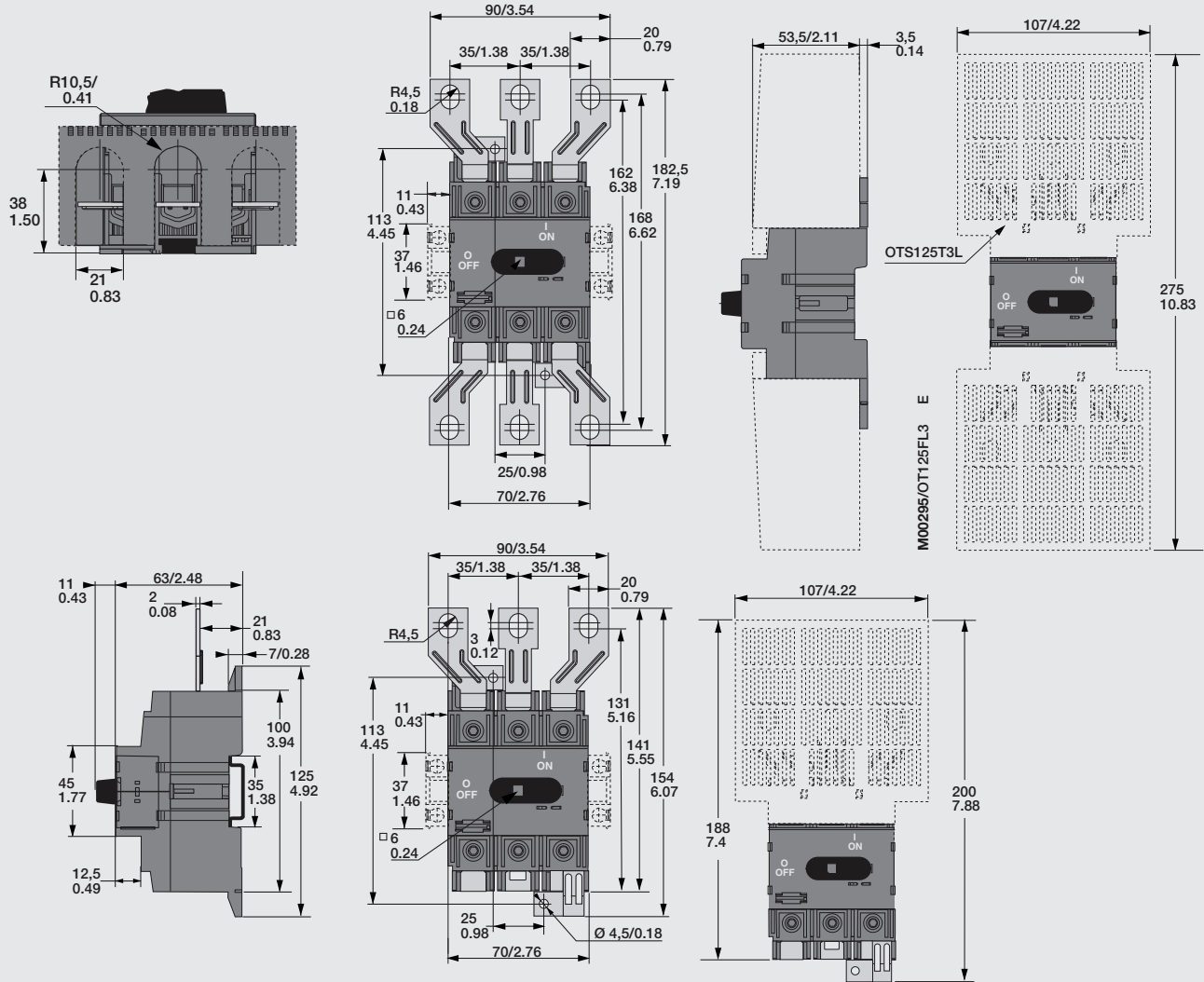
Dimensional drawings

Front operated switch-disconnectors, base and DIN-rail mounting, IEC

2

OT125FL3 and OT125FLA3

mm/in



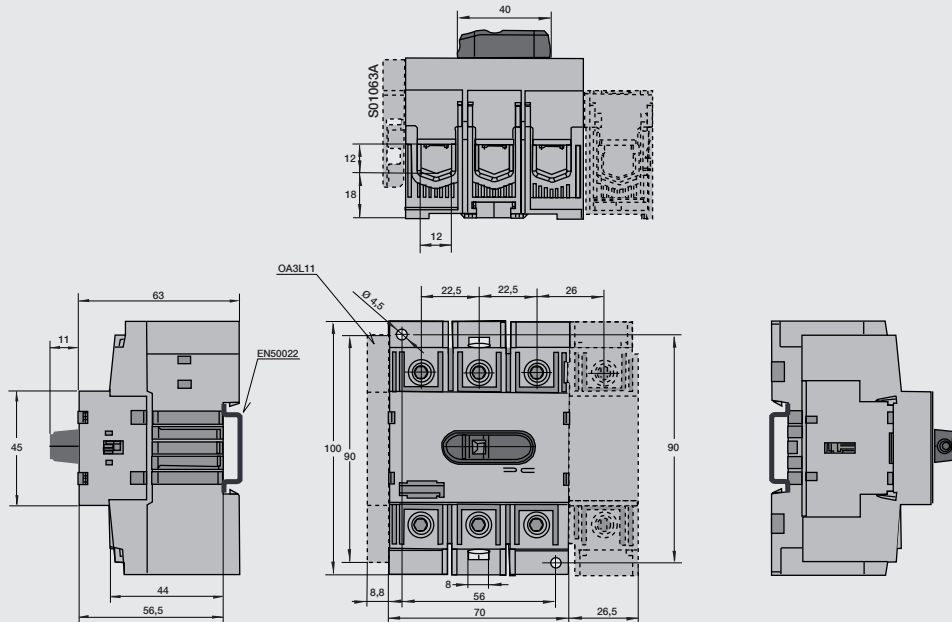
Manual switch-disconnectors OT16...160

Dimensional drawings

Front operated switch-disconnectors, installation switches, base and DIN-rail mounting, IEC

OT125M

mm/in



2

Manual switch-disconnectors OT16...160

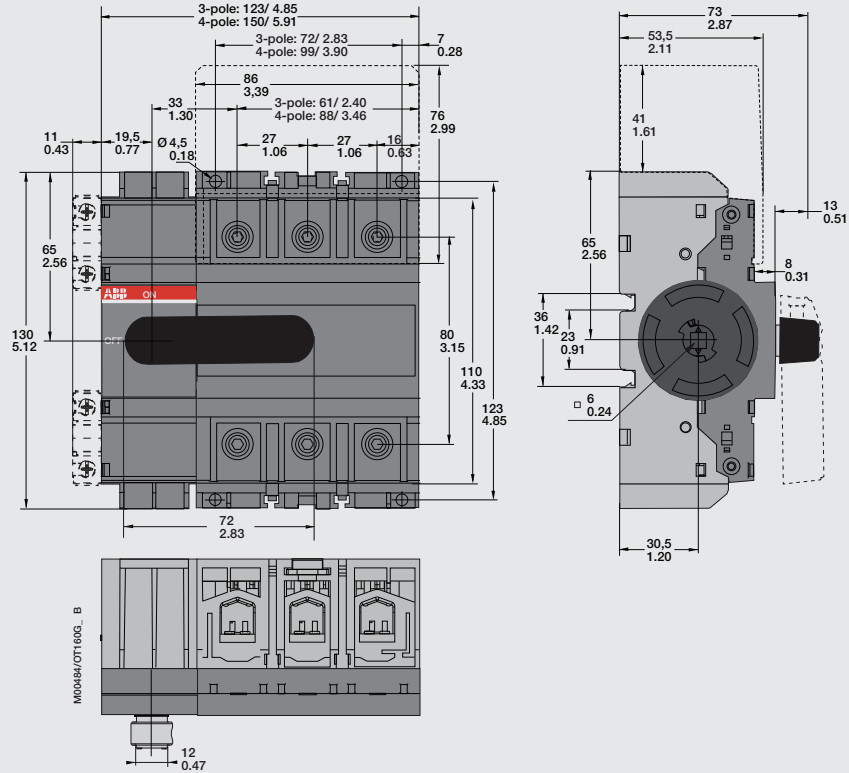
Dimensional drawings

2

OT160G switch-disconnectors, IEC and UL/CSA

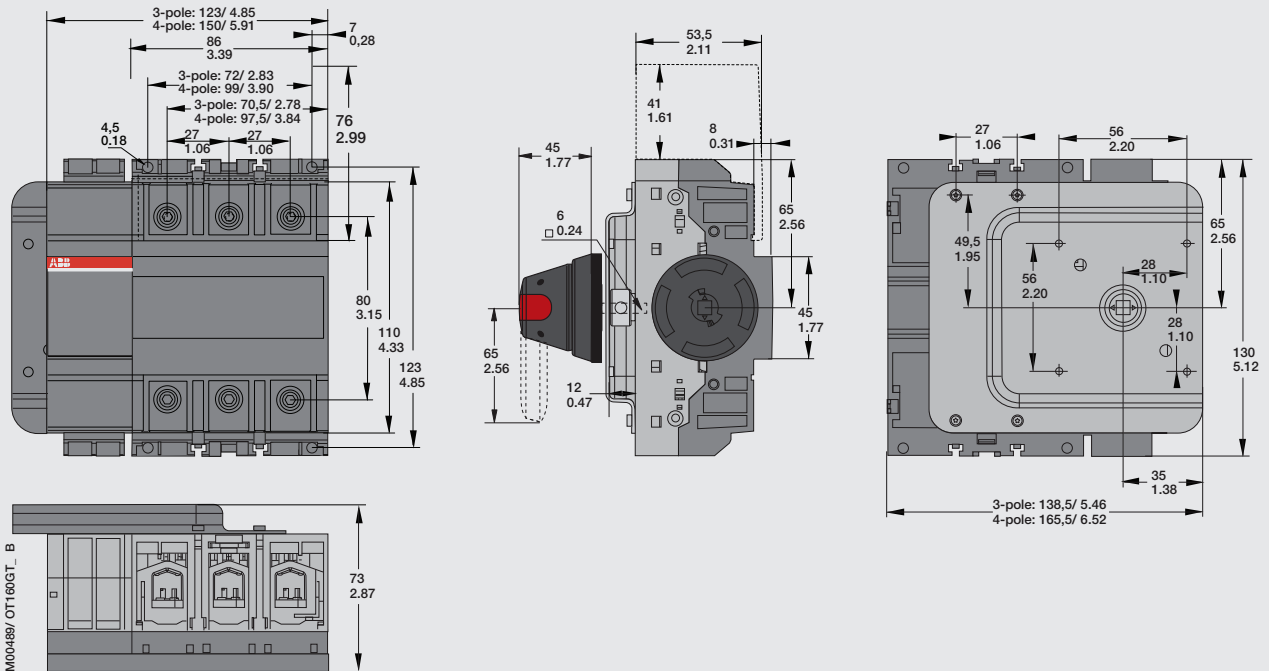
OT160G03/04_

mm/in



OT160GT03/04_

mm/in





Accessories for manual switch-disconnectors OT16...160

Ordering information for handle knobs

2



OHRS2



OHBS1



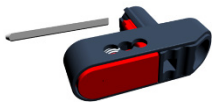
OHBS3



OHRS3



OHRS9



OHBS16

Handle knobs for base and DIN-rail mounted switches

Mounting directly to the switch, no shaft needed.

Suitable for switches	Colour	Handle length [mm]	Type	Order number	Weight/unit [kg]
Padlockable in 0-position with one padlock with bail diameter 5 mm					
OT16...40F3/F4	Black	37	OHBS12	1SCA108252R1001	0.01
	Red	37	OHRS12	1SCA108253R1001	0.01
OT63...125F3/F4, OT16...40F6/F8	Black	40	OHBS2	1SCA109089R1001	0.01
	Black	40	OHBS2/1	1SCA109090R1001	0.01
	Red	40	OHRS2	1SCA108598R1001	0.01
	Red	40	OHRS2/1	1SCA108599R1001	0.01
OT100...125F6/F8	Black	57	OHBS11	1SCA109092R1001	0.01
OT160G_	Black	74	OHBS16	1SCA149863R1001	0.01
Non-padlockable					
OT16...80F3/F4	Black	31	OHBS1	1SCA109087R1001	0.01
	Black	31	OHBS1/1	1SCA109088R1001	0.01
	Red	31	OHRS1	1SCA109095R1001	0.01
	Red	31	OHRS1/1	1SCA109096R1001	0.01
OT16...125F3/F4, OT16...40F6/F8	Black	39	OHBS3	1SCA108320R1001	0.01
	Black	39	OHBS3/1	1SCA108319R1001	0.01
	Red	39	OHRS3	1SCA108667R1001	0.01
	Red	39	OHRS3/1	1SCA108688R1001	0.01
OT63...125F6/F8	Black	72	OHBS9	1SCA108665R1001	0.01
	Black	72	OHBS9/1	1SCA108689R1001	0.01
	Red	72	OHRS9	1SCA108666R1001	0.01
	Red	72	OHRS9/1	1SCA108690R1001	0.01
OT160G_	Black	72	YAST1	1SCA022301R5350	0.023
OT160G_	Black	72	OHBS13	1SCA112046R1001	0.019
			OHBS13/1	1SCA112047R1001	0.019

Handle type	Shaft through the handle	45 mm cut-out enable*
OHBS1_, OHRS1_	No	Yes
OHBS12, OHRS12	Yes	Yes
OHBS11_, OHBS13_, OHBS16_	Yes	
OHBS2_, OHRS2_	No	Yes
OHBS3_, OHRS3_	No	Yes
OHBS9_, OHRS9_	No	No
YAST1	No	

* in I-position the handle shall remain within the cut-out height

Handle knob dimensions

Handle type [mm/in]	A	B	C
OHBS1, OHRS1	31/1.22	16/0.63	14/0.55
OHBS2, OHRS1	40/1.57	25/0.98	13/0.51
OHBS3, OHRS3	39/1.53	23/0.91	18/0.71
OHBS9, OHRS9	72/2.834	55/2.17	16/0.63
OHBS13, YAST1	72/2.834	55/2.17	16/0.63

Accessories for manual switch-disconnectors OT16...160

Ordering information for handles



OHYS7



OHYS8

Adapter handles, for base and DIN-rail mounted installation switches

Mounting directly to the switch, no shaft needed.

Suitable for switches	Colour	Type	Order number	Weight/unit [kg]
OT16...40M3	Black	OHBS7	1SCA108546R1001	0.08
OT16...40M4	Black	OHBS8	1SCA108545R1001	0.08
OT16...40M3	Red	OHYS7	1SCA109852R1001	0.08
OT16...40M4	Red	OHYS8	1SCA109862R1001	0.08

Handle type	Shaft through the handle	45 mm cut-out enable*
OHBS7_ , OHRS7_	No	Yes
OHBS8_ , OHRS8_	No	Yes

* in I-position the handle shall remain within the cut-out height



OHBS3AH



OHYS3AH



OHBS2AJ



OHYS2AJ



OHBS2AJ_EH

Selector handles for base and DIN-rail mounted switches

For shaft diameter 6 mm, door drilling 22.5 mm. Indication I-O and ON-OFF.

Suitable for switches	Colour	Type	Order number	Weight/unit [kg]
IP54 handles, NEMA 1				
OT16...80F	Black	OHBS1AH	1SCA102680R1001	0.05
	Red-yellow	OHYS1AH	1SCA105290R1001	0.05

Door interlock in ON-position

OT16...80F	Black	OHBS1AH1	1SCA105210R1001	0.05
	Red-yellow	OHYS1AH1	1SCA105291R1001	0.05

Padlockable with one padlock with bail diameter 5...6.3 mm

OT16...125F	Black	OHBS3AH	1SCA105234R1001	0.05
	Red-yellow	OHYS3AH	1SCA105325R1001	0.05

Padlockable with one padlock with bail diameter 5...6.3 mm, door interlock in ON-position

OT16...125F	Black	OHBS3AH1	1SCA105235R1001	0.05
	Red-yellow	OHYS3AH1	1SCA105326R1001	0.05

IP65 handles, NEMA 1, 3R, 12

Padlockable with max. 3 padlocks with bail diameter 5...8 mm, defeatable door interlock in ON-position, door interlocking in OFF-position when padlocked

OT16...125F	Black	OHBS2AJ	1SCA105213R1001	0.07
	Red-yellow	OHYS2AJ	1SCA105296R1001	0.07

Padlockable with max. 3 padlocks with bail diameter 5...8 mm, door interlock in ON-position

OT16...125F	Black	OHBS2AJ1	1SCA105215R1001	0.07
	Red-yellow	OHYS2AJ1	1SCA105297R1001	0.07

Selector handle with metal hasp

IP65 handles, NEMA 1, 3R, 12

Padlockable with max. 3 padlocks, door interlock in the ON-position, defeatable

OT16...125F	Black	OHBS2AJEH	1SCA108230R1001	0.07
-------------	-------	-----------	-----------------	------

Padlockable with max. 3 padlocks, door interlock in the ON-position, non-defeatable

OT16...125F	Black	OHBS2AJ1EH	1SCA105217R1001	0.07
-------------	-------	------------	-----------------	------

- Door interlocking in ON-position means that the door can not be opened, when the handle is in ON-position. This can be defeated in IP65 types to allow authorized personnel access for inspection. The padlocked handle is not defeatable.

Accessories for manual switch-disconnectors OT16...160

Ordering information for handles



2 OHBS3PH, RH



OHYS3PH, RH



OHBS2PJ, RH



OHYS2PJ, RH

Selector handles for door mounted switches

Indication I-O and ON-OFF. No separate shaft needed.

Suitable for switches	Colour	Type	Order number	Weight/ unit [kg]
Snap-on mounting, door drilling 22,5 mm				
No padlocking, IP54, NEMA 1				
OT16...40FT	Black	OHBS1PH	1SCA105211R1001	0.05
	Red-yellow	OHYS1PH	1SCA105294R1001	0.05
Padlockable with one padlock, IP54, NEMA 1				
OT16...40FT	Black	OHBS3PH	1SCA105236R1001	0.05
	Red-yellow	OHYS3PH	1SCA105327R1001	0.05
Padlockable with max. 3 padlocks, IP65, NEMA 1, 3R, 12				
OT16...40FT	Black	OHBS2PJ	1SCA105231R1001	0.07
	Red-yellow	OHYS2PJ	1SCA105322R1001	0.07
Screw mounting, hole distance 36 mm				
No padlocking, IP54, NEMA 1				
OT16...80FT	Black	OHBS1RH	1SCA105212R1001	0.05
	Red-yellow	OHYS1RH	1SCA105295R1001	0.05
Padlockable with one padlock, IP54, NEMA 1				
OT16...80FT	Black	OHBS3RH	1SCA105237R1001	0.05
	Red-yellow	OHYS3RH	1SCA105328R1001	0.05
Padlockable with max. 3 padlocks, IP65, hole distance 36/48 mm, NEMA 1, 3R, 12				
OT16...125FT	Black	OHBS2RJ	1SCA105232R1001	0.07
	Red-yellow	OHYS2RJ	1SCA105323R1001	0.07

- Door interlocking in ON-position means that the door can not be opened, when the handle is in ON-position.
This can be defeated in IP65 types to allow authorized personnel access for inspection. The padlocked handle is not defeatable.

Accessories for manual switch-disconnectors OT16...160

Ordering information for handles



OZ331_B



OZ331_RY



OZ371PB



OHB_



OHY_



OHG45J6



OHZX6

Round padlockable handles for base and DIN-rail mounted switches OT16...125

Padlockable in 0-position, max 3 padlocks with max 8 mm hasp diameter.
Indication I-O and ON-OFF.

Suitable for switches	Colour	Type	Order number	Weight/unit [kg]
One hole mounting handle, IP65, NEMA 4X outdoor, size 66x66				
OT16...125F, OT30...100F	Black	OZ331SPB	1SCA112983R1001	0.05
	Red-yellow	OZ331SPRY	1SCA113097R1001	0.05
IP67, NEMA 4X, size 66x66				
OT16...125F, OT30...100F	Black	OZ331P67B	1SCA111427R1001	0.04
	Red-yellow	OZ331P67RY	1SCA111429R1001	0.04
Handles with door coupling in ON-position, not defeatable, IP65, NEMA 4X, size 66x66				
Shaft alignment ring for OZ371P_ handle, see page 47.				
OT16...125F, OT30...100F	Black	OZ371PB	1SCA111684R1001	0.05
	Red-yellow	OZ371PRY	1SCA111685R1001	0.05

Pistol handles for base and DIN-rail mounted switches OT16...125F and OT160G

For shaft diameter 6 mm, IP65, NEMA 1, 3R, 12, padlockable with three padlocks in OFF-position, door interlock in ON-position. Screw fixing from the back side of the handle. No screws on the front ensures double insulation. Indication in types OHB and OHY: I-O, ON-OFF, in types OHG: I-O.

Handle length mm	Colour	Type	Order number	Weight/unit [kg]
45	Black	OHB45J6	1SCA022380R8770	0.10
45	Red-yellow	OHY45J6	1SCA022380R8930	0.10
45	Grey	OHG45J6	1SCA022380R8850	0.10

- Door interlocking in ON-position means that the door can not be opened, when the handle is in ON-position. Door interlocking can be defeated in IP65 types to allow authorized personnel access for inspection.
- Handles padlockable in ON and OFF positions available on request.
- The door is locked when the handle is padlocked. The padlocked handle is not defeatable.

Pistol handle mounting kit for OT 100...125 FT_ and OT160GT switches

Mounting kit OHZX6 consists of door mount handle fixing plate, screws and shaft. The pistol handle is not included.

Suitable for switches	Colour	Type	Order number	Weight/unit [kg]
OT100...125 FT_, OT30...100FT, OT160GT	Black	OHZX6	1SCA022559R5670	0.01

Accessories for manual switch-disconnectors OT16...160

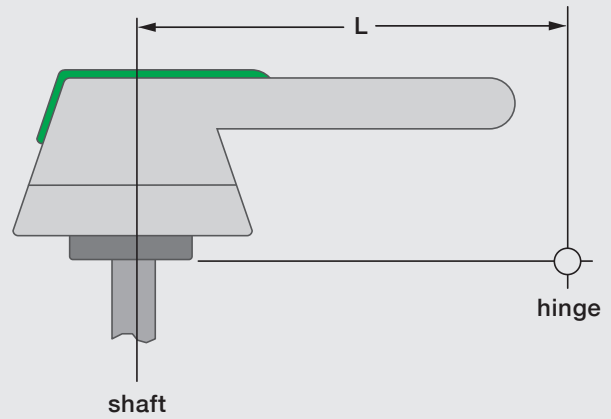
Dimensional drawings for handles

2

Minimum distance L between the hinge, handle and shaft

Sizes [A]	Length L [mm/in]	Handle type
OT16...125	75/2.95	OH_1, OH_2, OH_3

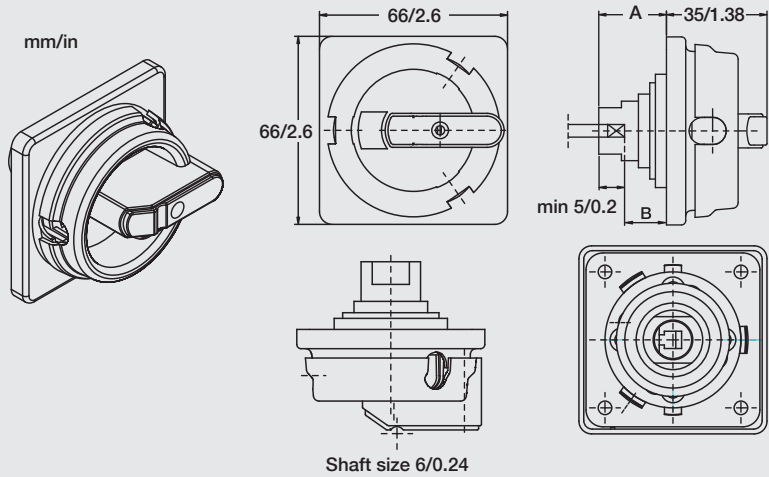
S00374C



Round padlockable handle types OZ331P_ and OZ371P_

Handle type [mm/in]	OZ331P_	OZ371P_
A	24/0.94	21/0.83
B	3-10/0.12-0.39	4-5/0.16-0.20

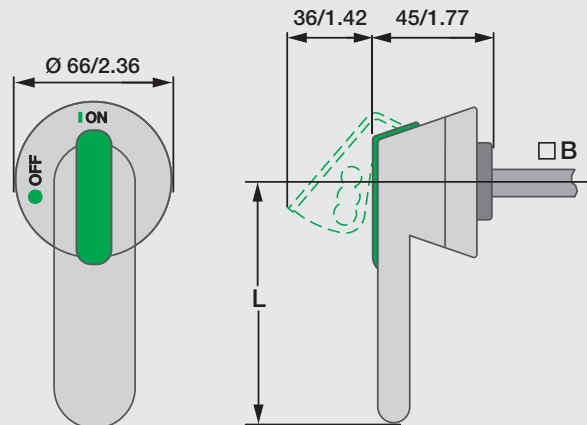
KE00031



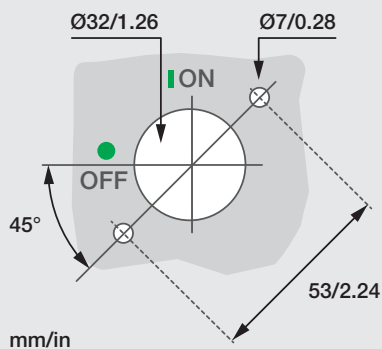
Pistol handle

Handle type [mm/in]	Shaft diameter B	Length L
OH_45J6	6/0.24	45/1.77

mm/in



Door drilling for OH_ handles:

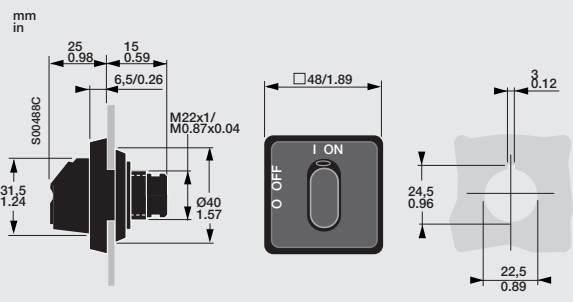


Accessories for manual switch-disconnectors OT16...160

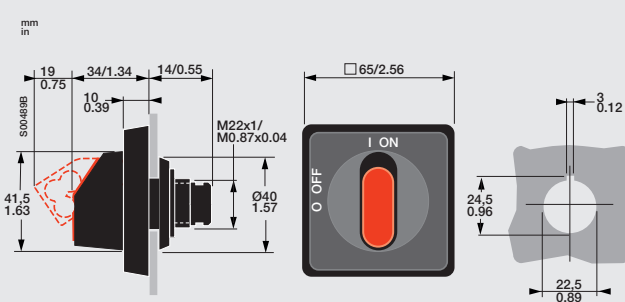
Dimensional drawings for handles

Handles for base and DIN-rail mounted switches

OH_S1A_, OH_S3A_



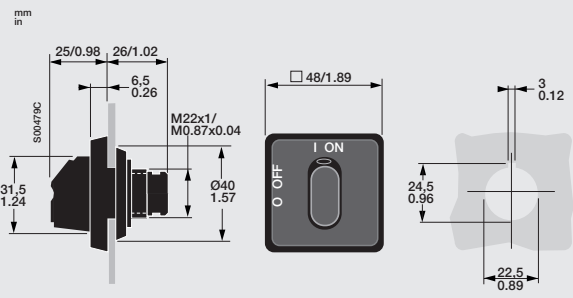
OH_S2A_



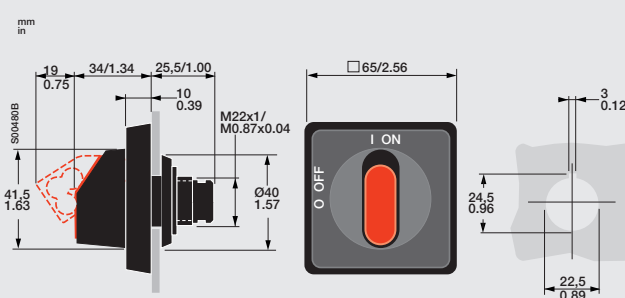
OH	
Handle type	Length [mm/in]
OH_S1A_	31,5/1.24
OH_S3A_	37,5/1.48

Handles for door mounted switches (snap-on mounting)

OH_S1P_, OH_S3P_



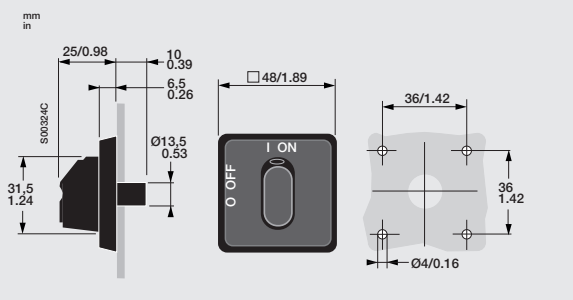
OH_S2P_



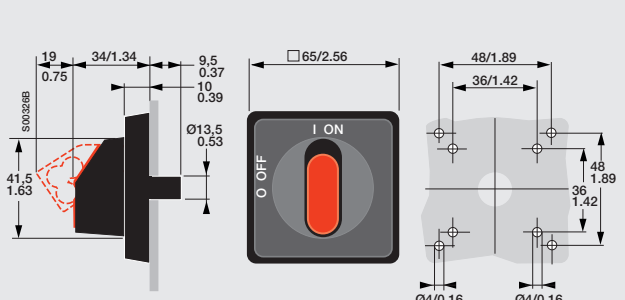
OH	
Handle type	Length [mm/in]
OH_S1P_	31,5/1.24
OH_S3P_	37,5/1.48

Handles for door mounted switches (screw-mounting)

OH_S1R_, OH_S3R_



OH_S2R_



OH	
Handle type	Length [mm/in]
OH_S1P_	31,5/1.24
OH_S3P_	37,5/1.48

Accessories for manual switch-disconnectors OT16...160

Ordering information for legend plates

2



OPBS1



OPB2



OPG2



OPS2



OPBS1EN1



OPSS1EN1



OPB2EN1



OPG2EN1



OPS2EN1

Legend plates for selector handles

Colour	Type	Order number	Weight/unit [kg]
Plain plates for OH 1_ and OH 3_ handles.			
Black	OPBS1	1SCA111519R1001	0.01
Yellow	OPYS1	1SCA111528R1001	0.01
Silver	OPSS1	1SCA111523R1001	0.01
Grey	OPGS1	1SCA111563R1001	0.01
Plain plates for OH 2_ handles.			
Black	OPB2	1SCA022353R4110	0.01
Yellow	OPY2	1SCA022353R4200	0.01
Silver	OPS2	1SCA022353R4460	0.01
Grey	OPG2	1SCA022353R4380	0.01
Printed plates for OH 1_ and OH3_ handles. Text: MAIN SWITCH.			
Black	OPBS1EN1	1SCA111520R1001	0.01
Yellow	OPYS1EN1	1SCA111530R1001	0.01
Silver	OPSS1EN1	1SCA111525R1001	0.01
Grey	OPGS1EN1	1SCA111526R1001	0.01
Printed plates for OH 2_ handles. Text: MAIN SWITCH.			
Black	OPB2EN1	1SCA022400R2070	0.01
Yellow	OPY2EN1	1SCA022400R2740	0.01
Silver	OPS2EN1	1SCA022400R2230	0.01
Grey	OPG2EN1	1SCA022400R2310	0.01

Accessories for manual switch-disconnectors OT16...160

Dimensional drawings for legend plates and labelling accessories



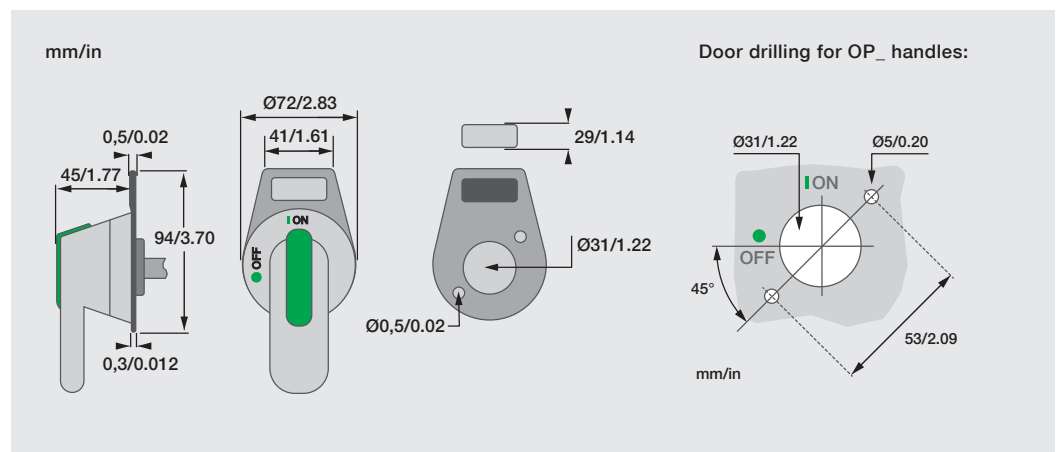
OPB3

Legend plates for pistol handles

Colour	Text	Type	Order number	Weight/unit [kg]
Holder				
Black		OPB3	1SCA022679R3410	0.01
Yellow		OPY3	1SCA022695R0450	0.01
Lettering plate suitable for holder				
Silver	Blanco	OPX3	1SCA022679R3500	0.01
Silver	Pääkytkin	OPX3F1	1SCA022695R0530	0.01
Silver	Main Switch	OPX3EN1	1SCA022695R0610	0.01
Silver	Hauptschalter	OPX3DE1	1SCA022695R0700	0.01
Silver	Huvudbrytare	OPX3SE1	1SCA022695R0880	0.01
Silver	Customer's own text	OPX3/TEXT	1SCA022696R6370	0.01

2

Dimensions of legend plate for pistol handles



Accessories for manual switch-disconnectors OT16...160

Ordering information for shafts

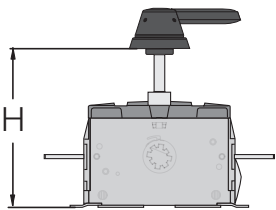
2



OXS6X_



OX6X_



OXP_X_

Shafts

Suitable for all the switches in this section, OT16...125F and OT160G.

Shaft diameter 6 mm.

Shaft length [mm]	Mounting depth H [mm]	Type	Order number	Weight/unit [kg]
For selector handles				
85	See dimension drawings	OXS6X85	1SCA101647R1001	0.02
105		OXS6X105	1SCA108043R1001	0.02
120		OXS6X120	1SCA101654R1001	0.03
130		OXS6X130	1SCA101655R1001	0.03
160		OXS6X160	1SCA101656R1001	0.04
180		OXS6X180	1SCA101659R1001	0.04
250		OXS6X250	1SCA101660R1001	0.05
330		OXS6X330	1SCA101661R1001	0.05
For round padlockable handles				
60	See dimension drawings	OX6X60	1SCA111459R1001	0.02
85		OX6X85	1SCA111274R1001	0.02
105		OX6X105	1SCA111930R1001	0.02
115		OX6X115	1SCA111931R1001	0.03
130		OX6X130	1SCA111460R1001	0.03
155		OX6X155	1SCA111275R1001	0.04
200		OX6X200	1SCA111932R1001	0.04
300		OX6X300	1SCA111933R1001	0.05
For pistol handles				
150	See dimension drawings	OX6X150	1SCA022295R5600	0.05
170		OX6X170	1SCA108224R1001	0.05
265		OX6X265	1SCA108225R1001	0.08
400		OX6X400	1SCA108226R1001	0.12

Twisted shafts

Twisted shafts for pistol handles, the shaft position is rotated 45 degrees.

Shaft diameter 6 mm.



OXP6X_



OXP6X_-45

Shaft length [mm]	Mounting depth H [mm]	Type	Order number	Weight/unit [kg]
150	See dimension drawings	OX6X150-45	1SCA022294R4400	0.05
170		OX6X170-45	1SCA108227R1001	0.05
265		OX6X265-45	1SCA108228R1001	0.08
430		OX6X430-45	1SCA022860R8100	0.13

- When using long shafts, it is recommended to use shaft support OETLZX58.

Accessories for manual switch-disconnectors OT16...160

Ordering information for shaft accessories

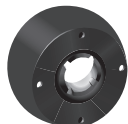


OZG71

Shaft alignment ring

Improves the alignment of the handle.

Suitable for handle	Colour	Type	Order number	Weight/unit [kg]
Selector handles OH_1...3	Black	OHZX11	1SCA022708R3170	0.23
Round padlockable handle OZ371P_	Black	OZG71	1SCA111686R1001	0.05



OHZX14

Extension ring for pistol handles

Improves the alignment of the handle.

Suitable for handle	Colour	Type	Order number	Weight/unit [kg]
OHB_	Black	OHZX14	1SCA022851R6590	0.06



OETLZX58

Shaft support for long shafts

Supporting 6 mm shaft longer than 400 mm.

Suitable for switches	Type	Order number	Weight/unit [kg]
OT16...125F	OETLZX58	1SCA022068R8220	0.10

Accessories for manual switch-disconnectors OT16...160

Ordering information for auxiliary contacts

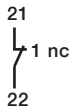
2



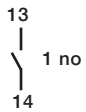
OA1G_



OA2G11



1NC



1NO

Auxiliary contact blocks for OT16...125F/FT_ and OT160G_, IP20

Contact numbering according to EN 50013. Snap-on mounting to the side of the switch. $I_{th} = 16A$, cable cross section max. $2 \times 2.5 \text{ mm}^2$. Early-break type OA1G10. Early break type auxiliary contacts means that in the switches, the NO aux.contacts break before the main contacts open.

➔ See next pages for performance data, functions and contact timing.

Suitable for switches	Function	Type	Order number	Weight/unit [kg]
Mountable on left side, max. 2 pcs				
OT16...125F_, FT_	1NC	OA1G01	1SCA022353R4890	0.03
	1NC	OA1G01AU ¹⁾	1SCA022436R7830	0.03
Mountable on the right side, max. 2 pcs				
OT16...125F_, FT_	1NO	OA1G10	1SCA022353R4970	0.03
	1NO	OA1G10AU ¹⁾	1SCA022436R7910	0.03
Mountable, max. 4 pcs				
OT160G_ and OT160GT_	1NC	OA1G01	1SCA022353R4890	0.03
	1NC	OA1G01AU ¹⁾	1SCA022436R7830	0.03
Mountable, max. 4 pcs				
OT160G_ and OT160GT_	1NO	OA1G10	1SCA022353R4970	0.03
	1NO	OA1G10AU ¹⁾	1SCA022436R7910	0.03
Mountable on both sides, simultaneous function with the main contacts				
OT16...40F_: max. 2NO+2NC, OT63...125F: max. 4NO+4NC ³⁾				
OT16...125F_	1NO+1NC	OA2G11 ²⁾	1SCA022379R8100	0.03
Mountable on both sides, simultaneous function with the main contacts				
Snap-on mounting to the switch, including a grey cover, IP 20, width 1/2 module. OT16...125M: 3-pole switches max 2NO+2NC, 4-pole switches max 1NO+1NC.				
OT16...40M_	1NO+1NC	OA1L11	1SCA022555R9870	0.04
OT63ML_	1NO+1NC	OA2L11	1SCA022424R3190	0.04
OT125M_	1NO+1NC	OA3L11	1SCA022555R9950	0.04

¹⁾ Types _AU are gold plated for extremely difficult circumstances and low voltages.

²⁾ Not mountable on the same side as the fourth pole.

³⁾ Contact numbering: (83) (43) (53) 13 21 (61) (31) (71)
(84) (44) (54) 14 22 (62) (32) (72)

Accessories for manual switch-disconnectors OT16...160

Technical data for auxiliary contacts

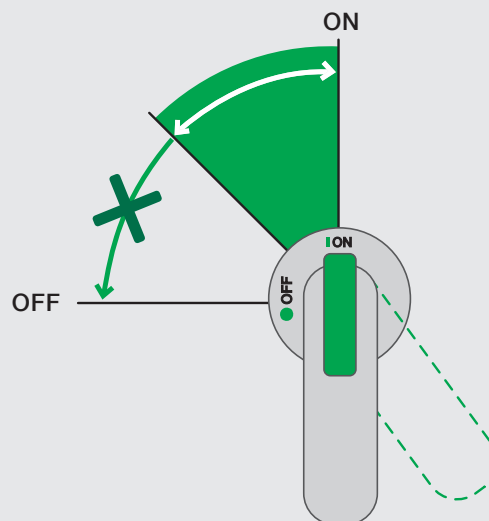
Performance data of auxiliary contacts according to IEC 60947-5-1

For OA1G_, OA2G_, OA3G_, OA8G_						
AC15			DC12		DC13	
U_e [VAC]	I_e [A]	U_e [VDC]	I_e [A]	P [W]	I_e [A]	P [W]
230	6	24	10	240	2	50
400	4	72	4	290	0.8	60
415	4	125	2	250	0.55	70
690	2	250	0.55	140	0.27	70
		440	0.1	44		

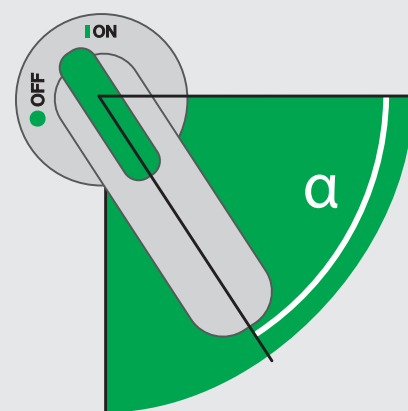
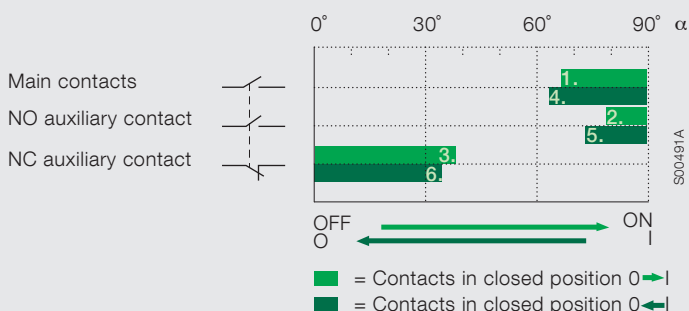
For OA1G_, OA2G_, OA3G_, OA8G_	
U_e [V]	690
U_{imp} [kV]	4
Pollution degree	3
I_{th} [A]	16
Cable size	1...2 x 0.75...2.5 mm ²
Maximum fuse	16A / gG
NEMA	A600, R300, wire size: 18 - 14 AWG, 1(2)

Handle indications and functions

- The handle indicates the position of the main contacts of the switch with complete reliability in all situations. If the contacts are welded together, the handle does not reach the OFF-position but remains between ON and OFF, maintaining the door interlock and preventing padlocking.



ON and OFF-functions of main and auxiliary contacts



Closing:

1. Main contacts close
2. NO auxiliary contacts close
3. NC auxiliary contacts open

Opening:

4. Main contacts open
5. NO auxiliary contacts open
6. NC auxiliary contacts close

Accessories for manual switch-disconnectors OT16...160

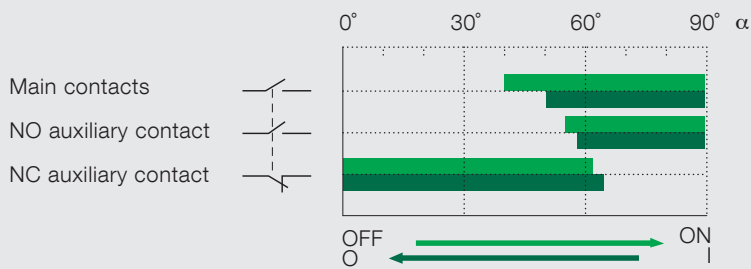
Technical data for auxiliary contacts

2

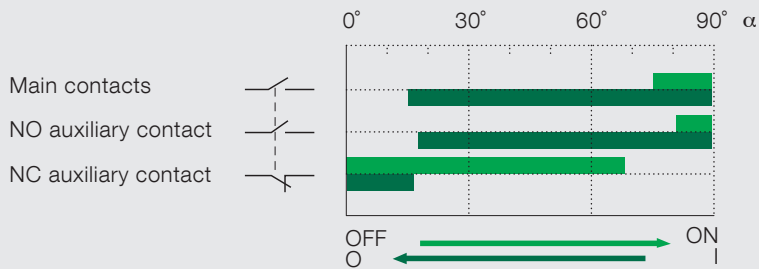
ON and OFF-functions of main and auxiliary contacts OT16...160

Auxiliary contact OA2G11, simultaneous function with main contacts.

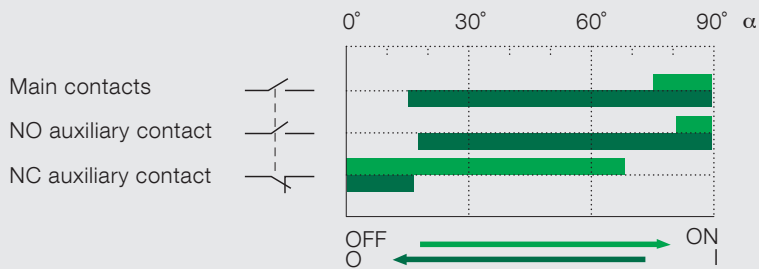
OT16...40



OT63...125



OT160G



Auxiliary contact	Contact configuration
OA1G10	1NO
OA1G01	1NC
OA2G11*	1NO+1NC

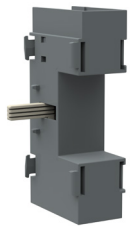
* Auxiliary contact OA2G11, simultaneous function with main contacts.

Accessories for manual switch-disconnectors OT16...160

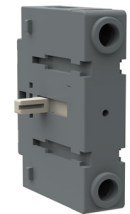
Ordering information for fourth poles



OTPL125FD



OTPS125FD



OTPS40FDN1



OTPL80FP

Fourth poles, simultaneous function with the main contacts OT16...125

Mountable on the side of the 3-pole switch without wide phase distances.

Suitable for switches	Type	Order number	Weight/unit [kg]
For DIN rail and base mounted switches			
OT16...40F3	OTPS40FPN1*)	1SCA105001R1001	0.03
	OTPS40FPN2*)	1SCA105000R1001	0.06
OT63...80F3	OTPS80FP	1SCA105461R1001	0.14
OT30F3, OT60F3, OT100F3, OT125F3	OTPS125FP	1SCA105099R1001	0.30
OT63ML3	OTPS63MLP	1SCA022530R6580	0.08
OT125M3	OTPS125MP	1SCA022436R9110	0.08
For door mounted switches			
OT16...40FT3	OTPS40FDN1*)	1SCA104999R1001	0.06
	OTPS40FDN2*)	1SCA104998R1001	0.14
OT63...80FT3	OTPS80FD	1SCA105458R1001	0.30
OT100...125FT3	OTPS125FD	1SCA105096R1001	0.30

Fourth poles, late-break and early-make

Mountable on the side of the switch. There is a time difference between the main poles and the fourth pole.

Suitable for switches	Type	Order number	Weight/unit [kg]
For OT switch-disconnectors			
OT16...40F3	OTPL40FP	1SCA105717R1001	0.03
OT63...80F3	OTPL80FP	1SCA105452R1001	0.06
OT100...125F3	OTPL125FP	1SCA105090R1001	0.14
For door mounted switches			
OT16...40FT3	OTPL40FD	1SCA105716R1001	0.03
OT63...80FT3	OTPL80FD	1SCA105451R1001	0.06
OT100...125FT3	OTPL125FD	1SCA105088R1001	0.14

*) N1=On the left side of the switch
N2=On the right side of the switch

Accessories for manual switch-disconnectors OT16...160

Ordering information for neutral and earth terminals

2



OTPD40FP

Fixed neutral

Mountable on the side of the switch.

Suitable for switches	Type	Order number	Weight/unit [kg]
For base mounted switches			
OT16...40F3	OTPN40FP	1SCA104997R1001	0.03
OT63...80F3	OTPN80FP	1SCA105457R1001	0.06
OT30F3, OT60F3, OT100F3, OT125F3	OTPN125FP	1SCA105094R1001	0.14
For door mounted switches			
OT16...40FT3	OTPN40FD	1SCA105718R1001	0.03
OT63...80FT3	OTPN80FD	1SCA105456R1001	0.06
OT100...125FT3	OTPN125FD	1SCA105092R1001	0.14



OTPD80FP

Detachable neutral

Mountable on the side of the switch.

Suitable for switches	Type	Order number	Weight/unit [kg]
For DIN rail and base mounted switches			
OT16...40F3	OTPD40FP	1SCA104994R1001	0.03
OT63...80F3	OTPD80FP	1SCA105445R1001	0.06
OT30F3, OT60F3, OT100F3, OT125F3	OTPD125FP	1SCA105083R1001	0.14
For door mounted switches			
OT63...80FT3	OTPD80FD	1SCA105444R1001	0.06



OTPD80FD

Protective earth

Mountable on the side of the switch.

Suitable for switches	Type	Order number	Weight/unit [kg]
For OT switch-disconnectors			
OT16...40F3	OTPE40FP	1SCA104995R1001	0.03
OT63...80F3	OTPE80FP	1SCA105448R1001	0.06
OT30F3, OT60F3, OT100F3, OT125F3	OTPE125FP	1SCA105128R1001	0.14
For door mounted switches			
OT16...40FT3	OTPE40FD	1SCA109884R1001	0.03
OT63...80FT3	OTPE80FD	1SCA105446R1001	0.06
OT100...125FT3	OTPE125FD	1SCA105698R1001	0.14



OTPE40FP



OTPE125FP



OTPE125FD

Accessories for manual switch-disconnectors OT16...160

Ordering information for terminal shrouds



OTS40T3



OTS63T3



OTS125T3



OTS125T3P



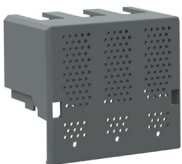
OTS63T1

OTS125T1

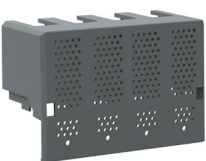


OTS40T1

OTS125T1P



OTS160G1L3



OTS160G1L4

Terminal shrouds for OT switches, snap-on mounting, transparent IP2X

Suitable for switches	Type	Order number	Weight/unit [kg]
For 3-pole OT switches			
OT16...40F3, FT3	OTS40T3	1SCA105317R1001	0.01
OT63...80F3, FT3	OTS63T3	1SCA022353R6750	0.01
OT100...125F3, FT3, OT125M3	OTS125T3	1SCA022379R9680	0.01
For 3-pole OT160G_ switches. Suitable also when provided with terminal clamps OZXT2 or OZXT3			
OT160G, GT	OTS160G1L3	1SCA140414R1001	0.02
For 3-pole OT switches, suitable also when provided with terminal clamps OZXL1 or OZXT1			
OT100...125F3	OTS125T3P	1SCA022491R9890	0.01
For 1 to 4-pole OT switches, shroud for single pole and for fourth pole			
OTP_40F_	OTS40T1	1SCA105314R1001	0.01
OTP_80F_	OTS63T1	1SCA022353R6910	0.01
OTP_125F_, OTPS125MP	OTS125T1	1SCA022379R9760	0.01
For 1 to 4-pole OT switches with terminal clamps OZXL1 or OZXT1, shroud for single pole and for fourth pole			
OT100...125F_	OTS125T1P	1SCA022491R9970	0.01
For 4-pole OT160G_ switches. Suitable also when provided with terminal clamps OZXT2 or OZXT3			
OT160G, GT	OTS160G1L4	1SCA140415R1001	0.03

Accessories for manual switch-disconnectors OT16...160

Ordering information for terminal clamps

2



OZXT1-1



OZXT2

Terminal clamp sets for Al- and Cu-cables, insulated versions

Suitable for switches	Cable cross section [mm ²]	Type	Order number	Weight/unit [kg]
OT63...125	16...50 Al, 2.5...50 Cu	OZXT1 ^{**)}	1SCA022469R6310	0.05
OT100...160	16...120 Al/Cu	OZXT2	1SCA022620R7200	0.21
OT100...160	2x(16...50) Al/Cu	OZXT3	1SCA022639R0720	0.21

^{**)} I_n = 63 A

- More information on Al/Cu terminal clamps, see the catalogue OZX1A GB.

Accessories for manual switch-disconnectors OT16...160

Ordering information for conversion kits



OWP6D40



OWP6D80



OWP6D125



OTZW8



OWC6D40



OWC6D125



OESAZW2

6 and 8-pole switch mechanism

Suitable for switches	Shaft distance [mm]	Type	Order number	Weight/unit [kg]
Parallel attachment for connecting two 3- or 4-pole switches				
The switches work simultaneously. Mounting directly on the top of two switch-disconnectors, snap-on mounting. The switch size is printed on stickers for the different switch sizes. The fourth pole or auxiliary contacts can be mounted on the outer side of the combination.				
OT16...40		OWP6D40	1SCA022865R4800	0.03
OT63...80		OWP6D80	1SCA022865R5010	0.03
OT100...125		OWP6D125	1SCA022865R5100	0.03

Attachment levers for connecting two 3- or 4-pole switches

Attachment levers provided with holes, enabling different shaft distances. The combination of 3 or 4-pole switches can be mounted either horizontally or vertically.

Suitable for switches	Shaft distance [mm]	Type	Order number	Weight/unit [kg]
OT16...40	45+(0...12)x15	OTZW8	1SCA022421R7600	0.17
OT63...80	60+(0...11)x15	OTZW8	1SCA022421R7600	0.17
OT100...125	75+(0...10)x15	OTZW8	1SCA022421R7600	0.17

See the table of the handles and shafts included in the conversion kits on the following spread.

Change-over switch mechanism

Two switches (3 or 4-pole) are connected with a mechanism operating between I-O-II -positions. The modular change-over switches can be built by adding a compact snap-on kit on the top of two switch-disconnectors. The kits do not require any additional foot print area, only the height is increased 12 mm.

Suitable for switches	Shaft distance [mm]	Type	Order number	Weight/unit [kg]
Change-over kits				
OT16...40		OWC6D40	1SCA022865R4550	0.03
OT63...80		OWC6D80	1SCA022865R4630	0.07
OT100...125		OWC6D125	1SCA104494R1001	0.09

Attachment levers

Suitable for switches	Shaft distance [mm]	Type	Order number	Weight/unit [kg]
OT16...160	90+(0...10)x15	OESAZW1	1SCA022064R3710	0.78

See the table of the handles and shafts included in the conversion kits on the following spread.

Accessories for manual switch-disconnectors OT16...160

Ordering information for conversion kits

2



OTZW17

By-pass switch mechanism

A combination of two switches in parallel with a third switch for change-over operation to by-pass, for example, a breaker for maintenance. Three 3 or 4-pole switches needed.

Suitable for switches	Shaft distance [mm]	Type	Order number	Weight/unit [kg]
OT16...160	Between 1 and 2: $90+(0..6)\times 15$ Between 1 and 3: $90+(0..10)\times 15$	OTZW17	1SCA022387R1620	0.88

See the table of the handles and shafts included in the conversion kits on the following spread.



OTZW24

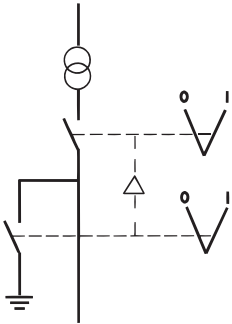
Mechanical interlock mechanism

Prevents one switch from moving to ON-position, if the other is not in OFF-position.

When mounted upside down, prevents one switch from moving to OFF-position, if the other is not in ON-position. (UPS-usage, make-before-break).

Suitable for switches	Shaft distance [mm]	Type	Order number	Weight/unit [kg]
OT16...125	100	OTZW24	1SCA022639R5610	0.08
OT160G		OTZW10	1SCA022431R5280	1

See the table of the handles and shafts included in the conversion kits on the following spread.



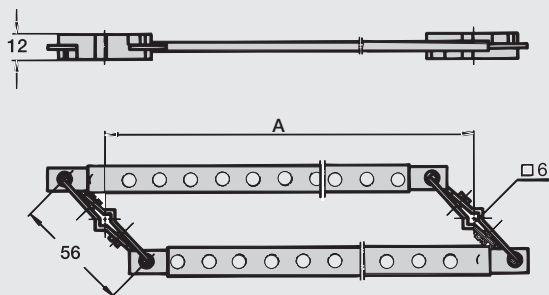
Mechanical interlock

Accessories for manual switch-disconnectors OT16...160

Dimensional drawings for conversion kits

6 and 8-pole switches

OTZW8

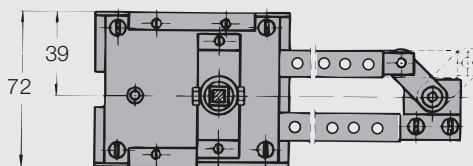
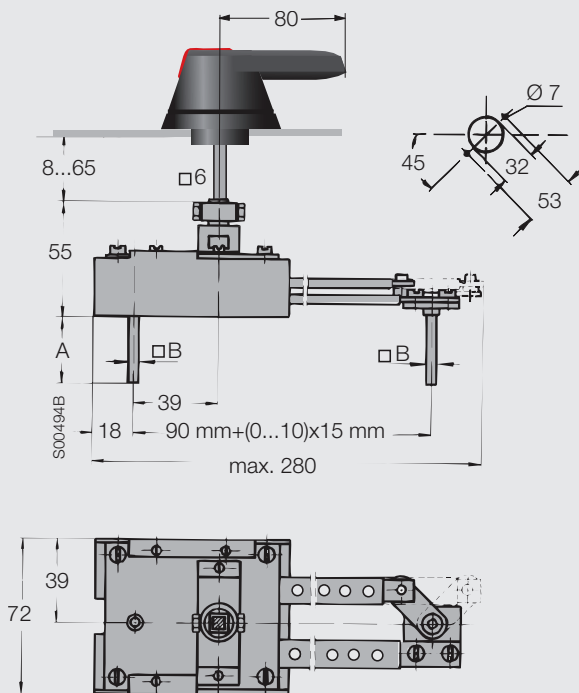


OTZW8	
[mm]	A (min)
OT16...40F	45+(0...12)x15
OT63...80F	60+(0...11)x15
OT100...125F	75+(0...10)x15

S00114C

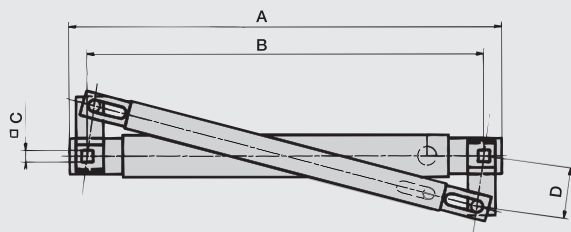
Change-over switches

OESAZW1



Mechanical interlock

OTZW10



OTZW10	
	OTZW10
A	206
B	190
C	6
D	30

S00119A

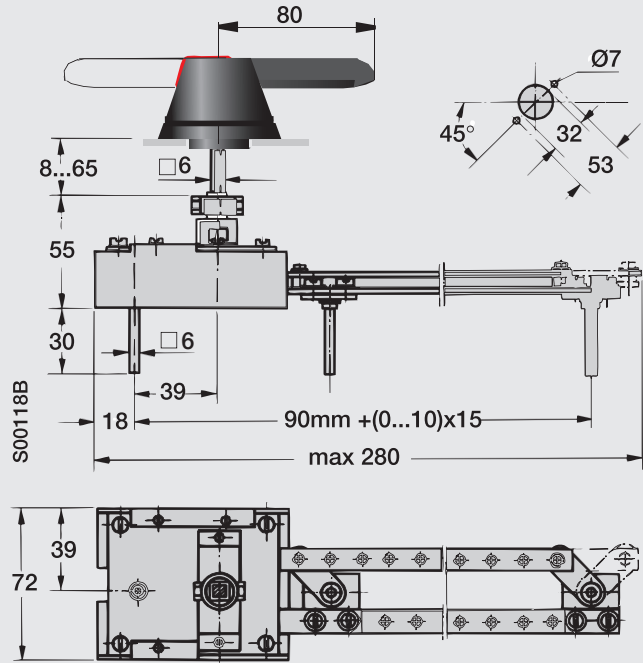
Accessories for manual switch-disconnectors OT16...160

Dimensional drawings for conversion kits

2

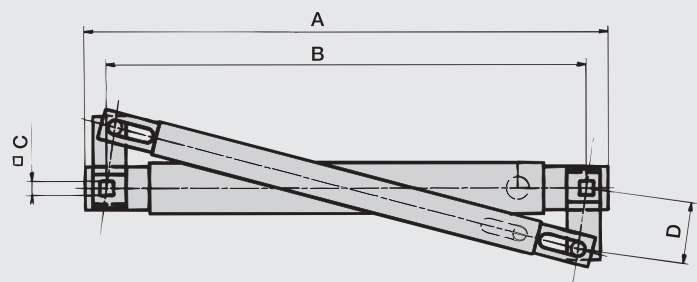
By-pass switches

OTZW17



Mechanical interlock

OTZW10, OTZW24



OTZW	OTZW10	OTZW24
[mm]		
A	206	114
B	190	100
C	6	6
D	30	15

S00119A

Accessories for manual switch-disconnectors OT16...160

Ordering information for conversion kit accessories

Shafts and handles for conversion kits

Conversion kit type	Suitable for switches	To be ordered separately		Included in conversion kit delivery		The standard handle / shaft of one of the combined switches can be used	
		Shaft	Handle	Shaft	Handle	Shaft	Handle
6 and 8-pole switches							
OWP6D40	OT16...40	x (shaft dia 6 mm)	OHBS1A_	-	-	-	-
OWP6D80	OT63...80	x (shaft dia 6 mm)	OHBS1A_	-	-	-	-
OWP6D125	OT100...125	x (shaft dia 6 mm)	OHBS1A_	-	-	-	-
OWP6D40	OT16...40	x (shaft dia 6 mm)	OHB45J6	-	-	-	-
OWP6D80	OT63...80	x (shaft dia 6 mm)	OHB45J6	-	-	-	-
OWP6D125	OT100...125	x (shaft dia 6 mm)	OHB45J6	-	-	-	-
OTZW8	OT16...125	x	x	-	-	-	-
OESAZW2	OT160	-	-	-	-	x	x
Change-over switches							
OWC6D40	OT16...40	x (shaft dia 6 mm)	OHBS2AJE011	-	-	-	-
OWC6D80	OT63...80	x (shaft dia 6 mm)	OHBS2AJE011	-	-	-	-
OWC6D125	OT100...125	x (shaft dia 6 mm)	OHBS2AJE011	-	-	-	-
OWC6D40	OT16...40	x (shaft dia 6 mm)	OHB45J6E311	-	-	-	-
OWC6D80	OT63...80	x (shaft dia 6 mm)	OHB45J6E311	-	-	-	-
OWC6D125	OT100...125	x (shaft dia 6 mm)	OHB45J6E311	-	-	-	-
OESAZW1	OT160	-	-	-	-	x	x
By-pass switches							
OTZW17	OT16...160	-	-	x (3 pcs)	OHB80J6E011	-	-
Mechanical interlock							
OTZW24	OT16...160	-	-	-	-	x	x

Accessories for manual switch-disconnectors OT16...160

Ordering information for locking accessories

2



OHZX4

Locking accessories

Padlocking adapter

For a padlock with max. 3.5 mm bail.

Suitable for switches	Type	Order number	Weight/unit [kg]
OT100...125F, OT125M_ and OT160G	SA1	GJF1 101 903 R000	0.01



OETLZW16

Door interlock bracket for pistol handles

Prevents defeating the door interlock.

Suitable for switches	Type	Order number	Weight/unit [kg]
For pistol handles OH_45...275	OHZX4	1SCA022467R2470	0.03

Cam attachment

Cam attachment for Castell, Lowe & Fletcher and Ronis interlock. Lock, handle or shaft are not included. Mounting on OXP shaft working together with external OH door handle.

Suitable for switches	Type	Order number	Weight/unit [kg]
OT16...160	OETLZW16	1SCA022093R2070	0.17





Our smart and modular switch-disconnectors are perfect for the most demanding operating environments.

Manual switch-disconnectors OT160...4000

Modular and flexible design

Introduction to manual switch-disconnectors OT160...4000

Product overview	65
Product range	67
Type designation key for the types OT160...4000	68

Technical data

Switch-disconnectors (IEC)	69
Non-fusible disconnect switches (UL/CSA)	71

Ordering information

Accessory guide for OT160EV...1600	74
Accessory guide for OT2000...4000	75
Front operated switch-disconnectors OT160...800 (IEC)	76
Front operated switch-disconnectors OT160...800 with wide phase distance (IEC)	78
Front operated switch-disconnectors OT1000...4000 (IEC)	79
Front operated switch-disconnectors OT1000...4000 with wide phase distance (IEC)	82
Side operated switch-disconnectors OT160...4000 (IEC)	83
Front operated earthing switches (IEC)	84
Front operated non-fusible disconnect switches (UL/CSA)	86
Side operated non-fusible disconnect switches (UL/CSA)	88

Dimensional drawings

Front operated switch-disconnectors OT160...800 (IEC)	90
Front operated switch-disconnectors OT160...800 with wide phase distance (IEC)	92
Front operated switch-disconnectors OT1000...4000 (IEC)	96
Side operated switch-disconnectors OT160...4000 (IEC)	104
Front operated earthing switches (IEC)	107
Front operated non-fusible disconnect switches (UL/CSA)	111

Ordering information for accessories

Handles	121
Shafts	127
Shaft accessories	129
Auxiliary contacts	130
ON and OFF-functions of main and auxiliary contacts	132
Fourth poles, neutral and earth terminals	133
Terminal shrouds	134
Mounting and locking accessories	135
Terminal clamps	136
Terminal lugs	138
Conversion kits	139
Mechanical interlocks	144
Electrical interlocks	145

Manual switch-disconnectors OT160...4000

Modular and flexible design

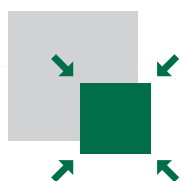
Manual switch-disconnectors by ABB are suitable for a wide range of demanding applications in power distribution or motor control centers. Their smart and modular design and adaptable construction reduce installation time and make them perfect for even the most demanding operating environments.



Easy to install

Flexible installation orientation

In addition to the same easy installation features as the smaller switch-disconnectors, these devices are extremely flexible regarding installation orientation. They work just as well installed horizontally or vertically, or even on the ceiling. Smart design eliminates the need for major customization such as when using devices optimized for e.g. the 140 mm switchgear busbar standard or 600 mm cubicle solution.



Space saving

Modular design

All our switches have been designed for easy and cost-efficient installation, maintenance and use. The modular design enables 2-, 3- and 4-pole installation with different position of the switching mechanism to suit your needs and spacial requirements. The devices can be optimized in relation to busbar and cable connections as well as handles and other accessories.



Reliable in extreme conditions

Heavy duty reliability

These ABB switch-disconnectors are extremely well suited for heavy duty applications in e.g. distribution centers with full rated current. Relevant short circuit ratings are available for IEC and UL versions alike. These devices are also equipped with extremely resistant insulation materials, which help reduce the risk of flash-over between phases in even the most severe circumstances and environments.



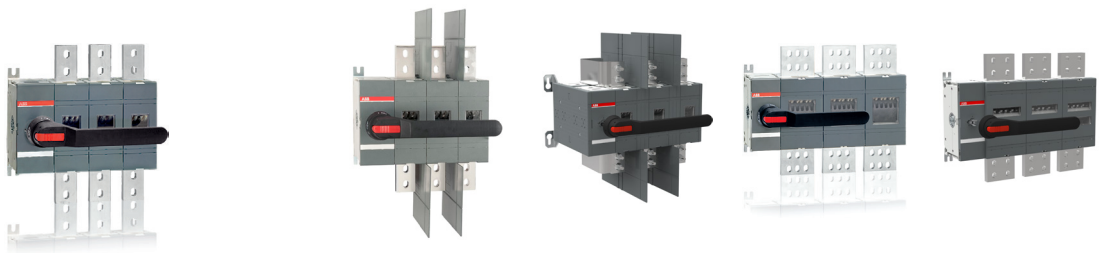
Manual switch-disconnectors OT160...4000

Modular and flexible design



Manual operation

IEC	OT160EV			OT200E			OT250E			OT315E			OT400E			OT630E			OT800E		
UL 98 file # E101914, CSA C2.22 No.4				OT200U						OT400U						OT600U					
Switch size [A]	160	200	250	200			315	400		400				600	630	800					
IEC	I_{th} [A]			160 200 250						315 400						630 800					
	I_e /AC22A, 415V [A]			160 200 250						315 400						630 800					
	I_e /AC23A, 415V [A]			160 200 250						315 400						630 800					
UL/CSA	Ampere rating [A]			20 30 40 200						400						600					



Manual operation

IEC	OT1000E				OT1600E				OT2000E				OT2500E				OT3200E				OT4000E			
UL 98 file # E101914, CSA C2.22 No.4									OT800U				OT1200U				OT1600U				OT2000U			
Switch size [A]	800	1000	1200	1250	1600	800	1200	1600	2000	2000	2500	3200	4000											
IEC	I_{th} [A]				1000 1250 1600								2000 2500 3200 4000											
	I_e /AC22A, 415V [A]				1000 1250 1600								2000 2500											
	I_e /AC23A, 415V [A]				1000 1250 1600																			
UL/CSA	Ampere rating [A]				800 1200				800 1200 1600 2000															

Accessories for manual switch-disconnectors OT160...4000 include:

- Handles
- Shafts
- Auxiliary contacts
- Fourth poles
- N terminals
- Terminal shrouds
- Mounting accessories
- Terminal clamps
- Conversion kits
- Locking accessories
- Mechanical interlocks
- Electrical interlocks



Please note that listed accessories are not automatically included in your order. Ordering information for accessories from page 121-124, 127-130, 133-139 and 142-145.

Manual switch-disconnectors OT160...4000

Type designation key

Type codes

Understanding the type code keys below will help you quickly identify the correct product for your needs. The simple naming system allows you to see the products type, Ampere rating, standard classification and number of poles, all in one glance.

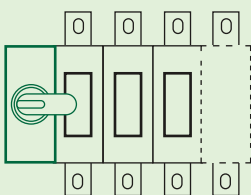
Explanation of the types OT160..4000

OT	400	E	03	W	P
1	2	3	4	5	6
1 Brand					
OT:	ABB switch-disconnector brand				
OTM:	ABB motorized switch-disconnector brand				
2 Switch size / Ampere rating					
160...4000:	160 A...4000 A				
3 Mounting / Construction					
E, EV:	Front operated, base mounting, IEC				
U:	Front operated, base mounting, UL/CSA				
ES, EVS:	Side operated, base mounting, IEC				
EM:	Earthing switches, bottom mounted, IEC, the mechanism is turned 90 degrees for space saving				
EP:	Earthing switches, base mounted, IEC				
4 Number of poles and placing of the operating mechanism					
03:	3-poles, operating mechanism at the left end of the switch				
04:	4-poles, operating mechanism at the left end of the switch				
12:	3-poles, operating mechanism between the poles				
22:	4-poles, operating mechanism between the poles				
30:	3-poles, operating mechanism at the right end of the switch				
40:	4-poles, operating mechanism at the right end of the switch				
5 Construction 1					
K:	With direct mounted handle				
W:	With wide phase distance				
6 Construction 2					
P:	External handle and shaft included				

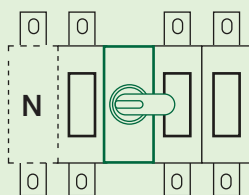
Pole configuration table

The various placing options of the operating mechanism in relation to the 3 or 4 poles is illustrated below. The operating mechanism may be placed at the end of the switch or between poles.

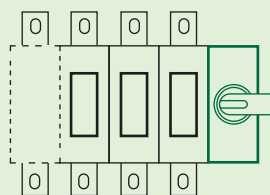
Front operated
Configuration 03, 04:



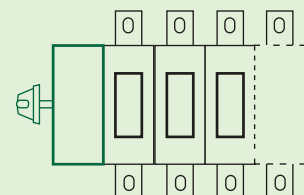
Front operated
Configuration 12, 22:



Front operated
Configuration 30, 40:



Side operated
Configuration 03, 04:



Manual switch-disconnectors OT160...4000, IEC

Technical data

Technical data according to IEC 60947-3				Switch type						
				OT160EV	OT200E	OT250E	OT315E	OT400E	OT630E	OT800E
Rated insulation voltage and rated operational voltage AC-20, DC-20	Pollution degree 3	V		1 000	1 000	1 000	1 000	1 000	1 000	1 000
Dielectric strength	50 Hz 1min.	kV		10	10	10	10	10	10	10
Rated impulse withstand voltage		kV		12	12	12	12	12	12	12
Rated thermal current and rated operational current AC-20, DC-20 in ambient 40 °C ⁴⁾	In open air	A		200	200	250	315	400	630	800
...with minimum cable cross section	In enclosure	A		160	200	250	315	400	630	800
		Cu	mm ²	70	95	120	185	240	2x185	2x240
Rated operational current, AC-21A		≤ 500 V	A	200	200	250	315	400	630	800
		690 V	A	160	200	250	315	400	630	800
		1000 V	A	160	200	250	315	400	630	800
Rated operational current, AC-22A		≤ 500 V	A	200	200	250	315	400	630	800
		690 V	A	160	200	250	315	400	630	800
		1000 V	A	160	200	250	315	400	630	800
Rated operational current, AC-23A		≤ 500 V	A	160	200	250	315	400	630	800
		690 V	A	160	200	250	315	400	630	800
		1000 V	A	135	135	135	200	200	400	400
Rated operational current / poles in series, DC-21A ¹⁾		24...110 V	A	160/2	200/2	250/2	315/1 ²⁾	400/1 ²⁾	630/1	800/1
		220 V	A	160/2	200/2	250/2	315/2 ²⁾	400/2 ²⁾	630/1	800/1
		440 V	A	160/3	200/3	250/3	315/3	360/3	630/2	800/2
		660 V	A	160/4	200/4	230/4 ²⁾	315/4	360/4	630/4 ²⁾	650/4 ²⁾
Rated operational current / poles in series, DC-21B		800 V	A	160/5	200/5	250/5	315/5	400/5	600/5	600/5
		1000 V	A	160/6	200/6	250/6	315/6	400/6	600/6	600/6
Rated operational power, AC-23 ³⁾		230 V	kW	48	60	75	100	132	200	250
		400 V	kW	80	110	140	160	220	355	450
		415 V	kW	88	110	145	180	230	355	450
		500 V	kW	112	132	170	220	280	400	560
		690 V	kW	144	200	250	315	400	630	800
Rated breaking capacity in category AC-23		≤ 500 V	A	1 280	1 600	2 000	2 520	3 200	5 040	6 400
		690 V	A	1 280	1 600	2 000	2 520	3 200	5 040	6 400
Rated conditional short-circuit current I _{cc} (r.m.s.) and corresponding max. allowed cut-off current \hat{i}_c . The cut-off current \hat{i}_c refers to values listed by fuse manufacturers (single phase test acc. to IEC60269)	I _{cc} (r.m.s.)	100 kA, 500 V	kA	40.5	40.5	40.5	61.5	61.5	90	90
		Max. OFA_fuse size	gG/aM	A	315/315	315/315	315/315	500/450	500/450	800/1 000
	I _{cc} (r.m.s.)	80 kA, 690 V	kA	40.5	40.5	40.5	59	59	83.5	83.5
		Max. OFA_fuse size	gG/aM	A	355/315	355/315	355/315	500/500	500/500	800/1 000
Rated short-time withstand current	r.m.s. value I _{cw}	≤ 1000 V 0,15 s	kA	15	15	15	31	31	38	38
		≤ 1000 V 0,25 s	kA	15	15	15	24	24	36	36
		≤ 1000 V 1 s	kA	8	8	8	15	15	20	20
Rated short-circuit making capacity	Peak value I _{cm}	≤ 1000 V	kA	30	30	30	65	65	80	80
Rated capacitor power when no initial charge on the capacitor	The capacitor ratings are limited by the fuse links	415 V	kVAr	80	100	115	145	180	250	310
		500 V	kVAr	96	120	135	175	215	300	375
		690 V	kVAr	128	160	190	250	325	450	550
Power loss / pole	With rated current		W	3.2	4	6.5	6.5	10	25	40
Mechanical endurance	Divide by two for oper. cycles		Oper.	20 000	20 000	20 000	16 000	16 000	10 000	10 000
Weight without accessories	3-pole switch		kg	1.2	1.2	1.2	2.2	2.2	5.2	5.2
Terminal bolt size	Metric thread diameter x length		mm	M8x25	M8x25	M8x25	M10x30	M10x30	M12x40	M12x40
Terminal tightening torque	Counter torque required		Nm	15-22	15-22	15-22	30-44	30-44	50-75	50-75
Operating torque	3-pole switch disconnector		Nm	7	7	7	16	16	27	27

¹⁾ Further ratings on request.

²⁾ Category B.

³⁾ These values are given for guidance and may vary acc. to the motor manufacturer.

⁴⁾ Acc. to IEC 60947-1, § 6.1.1.

Manual switch-disconnectors OT160...4000, IEC

Technical data

3

Technical data according to IEC 60947-3				Switch type						
				OT1000E	OT1250E	OT1600E	OT2000E	OT2500E	OT3200E	OT4000E
Rated insulation voltage and rated operational voltage AC20/DC20	Pollution degree 3		V	1 000	1 000	1 000	1 000	1 000	1 000	1 000
Dielectric strength		50 Hz 1min.	kV	10	10	10	10	10	10	10
Rated impulse withstand voltage			kV	12	12	12	12	12	8	8
Rated thermal current and rated operational current AC20/DC20	Ambient 40°C ¹⁾	In open air	A	1 000	1 250	1 600	2 000	2 500	3 200	3 800, 4000 ⁵⁾
..with minimum conductor cross section	Ambient 40°C ¹⁾	In enclosure	A	1 000	1 250	1 600				
Rated operational current, AC-21A	Cu		mm ²	2x300	2x400	2x500	3x500	4x500	4x1 000	5x1 000
Rated operational current, AC-22A		up to 690 V	A	1 000	1 250	1 600	2 000 ²⁾	2 500 ²⁾	3 200 ²⁾	3 800
Rated operational current, AC-22A		1000 V	A	1 000	1 250	1 600				
Rated operational current, AC-22A		up to 415 V	A	1 000	1 250	1 600	2 000 ²⁾	2 500 ²⁾	3 200 ²⁾	3 800 ²⁾ , 4000 ²⁾⁵⁾
Rated operational current, AC-23A		500 - 690 V	A	1 000	1 250	1 600	2 000 ²⁾³⁾	2 500 ²⁾³⁾		
Rated operational current, AC-23A		up to 500 V	A	1 000	1 250	1 250				
Rated operational current, AC-23A		690 V	A	1 000	1 250	1 250				
Rated operational power, AC-23A (These values are given for guidance and may vary acc. to the motor manufacturer)		400...415 V	kW	560	710	710				
		440 V	kW	630	800	800				
		500 V	kW	710	900	900				
		690 V	kW	1 000	1 200	1 200				
Rated breaking capacity, AC-23A		up to 500 V	A	10 000	10 000	10 000				
		690 V	A	10 000	10 000	10 000				
Rated conditional short-circuit current I_{cc} (r.m.s.) and corresponding max. allowed cut-off current \hat{I}_c . The cut-off current \hat{I}_c refers to values listed by fuse manufacturers (single phase test acc. to IEC60269).	I_{cc} (r.m.s.)	80 kA	kA	100	100	100				
	Max. OFA_fuse size	≤ 415 V	A	1 250/	1 250/	1 250/	1 250/			
				1 250	1 250	1 250	1 250			
	I_{cc} (r.m.s.)	100 kA	kA	106	106	106				
	Max. OFA_fuse size	≤ 500 V	A	1 250/	1 250/	1 250/	1 250/			
				1 250	1 250	1 250	1 250			
Rated short-time withstand current	r.m.s. -value I_{cw}	690 V, 0.25 s	kA	50	50	50	80	80	80	80, 100 ⁵⁾
		690 V, 1 s	kA	50	50	50	55	55	65	80
Rated short circuit making capacity	Peak value I_{cm}	690 V	kA	110 ⁴⁾	110 ⁴⁾	110 ⁴⁾	176	176	176	176, 220 ⁵⁾
	Max. distance from switch frame to nearest busbar/ cable support		mm	150	150	150	150	150	150	150
Rated capacitor power when no initial charge on the capacitor	The capacitor ratings are limited by the fuse links	415 V	kVAr	460	575	575				
		500 V	kVAr	550	690	690				
		690 V	kVAr	750	950	950				
Power loss/pole	At rated operational current		W	19	29	48	55	85	95	130
Mechanical endurance	Divide by two for operation cycles		Oper.	6 000	6 000	6 000	6 000	6 000	5 000	5 000
Weight without accessories	3-pole		kg	14.1	14.1	15.2	22	22	24.7	28.9
	4-pole		kg	18	18	19.5	28	28	32.1	37.7
Terminal bolt size	Metric thread diameter x length		mm	M12x50	M12x50	M12x60	M12x60	M12x60	M12x60	M12x60
Terminal tightening torque	Counter torque required		Nm	50...75	50...75	50...75	50...75	50...75	50...75	50...75
Operating torque	3-pole switch-disconnector		Nm	65	65	65	65	65	65	65

¹⁾ Acc. to IEC60947-1, § 6.1.1.

²⁾ IEC 947-3, utilization category B, infrequent operation.

³⁾ Phase barriers or terminal shrouds must be used on both sides of the switch at voltages ≥ 500 V.

⁴⁾ The value is 92 kA for 4-pole switch-disconnectors.

⁵⁾ OT4000E_W8

Manual switch-disconnectors OT200...1200, UL

Technical data for non-fusible disconnect switches

				Switch type				
				OT200U	OT400U	OT600U	OT800U	OT1200U
	Approval File #			cUL _{US} Listed E101914 IEC UL98 CSA C22.2 No.4	cUL _{US} Listed E101914 IEC UL98 CSA C22.2 No.4	cUL _{US} Listed E101914 IEC UL98 CSA C22.2 No.4	cUL _{US} Listed E101914 IEC UL98 CSA C22.2 No.4	cUL _{US} Listed E101914 IEC UL98 CSA C22.2 No.4
	Compliance							
Technical data according to UL/CSA AC Ratings								
General purpose amp rating	pf= 0.7...0.8	-40° to 40 °C	A	200	400	600	800	1 200
Max. operating voltage			V	600	600	600	600	600
Max. horsepower rating / max. motor FLA current	pf= 0.4...0.5 Three phase	240 V 480 V 600 V	HP/A HP/A HP/A	75/192.0 150/180.0 200/192.0	125/312.0 250/302.0 350/336.0	200/480 450/515.0 500/472.0	200/602 480/590 500/472	
Short circuit rating with fuse	Fuse type	J	kA	200	100	100	100	
		T	kA		100		100	
	Fuse type	RK5 L	kA kA			100	100	100
Maximum fuse size			A	200	350	600	600	800
Current rating		at 250 VDC	A	200	400	600	600	800
		at 600 VDC	A	100	200	200		
DC horsepower rating for 4-pole switch		at 600 VDC	HP	50	50	-		
DC horsepower rating for 2-pole switch		at 125 VDC	HP	20	40	-		
		at 250 VDC	HP	40	50	50		
DC short circuit rating for 4-pole switch		with circuit breaker	kA	10	10	10		
DC short circuit rating for 2-pole switch		with circuit breaker at 250 VDC	kA	14	14	18		
		with circuit breaker at 600 VDC	kA	10	10	10		
		with class J fuse at 250 VDC ... with fuse size	kA A	100	100	100		
Min. electrical endurance, pf. 0.75...0.8		oper. cycles		6 000	1 000	1 000	500	500
Mechanical endurance		Divide by two for operation cycles	operations	20 000	16 000	10 000	6 000	6 000
Terminal lug kits (optional)		75 °C wire		OZXA-200	OZXA-400	OZXA-800	OZXA-1200	OZXA-1200
Wire range			AWG	4-300MCM	2-600MCM	2 x 2-600MCM	4 x 2-600MCM	4 x 2-600MCM
Torque		Wire tightening	lb.in/Nm	275/22.6	375/42.4	500/56.5	500/56.5	500/56.5
		Lug mounting	lb.in/Nm	72/8.1	240/27.1	480/54.2	443/50.1	443/50.1
Minimum enclosure dimensions at rated current		Height x Width x Depth	mm in	508x407x178 20.3x16.3x7.1	600x350x200 24x14x8	600x700x300 24x28x12	1220x610x305 48.8x24.4x12.2	700x900x400 28x36x16
Technical data according to IEC 60947								
Rated insulation voltage and rated operational voltage AC20/DC20	Pollution degree 3		V	1 000	1 000	1 000	1 000	1 000
Dielectric strength	50 Hz, 1min.		kV	10	10	10	10	10
Rated impulse withstand voltage			kV	12	12	12	12	12
Rated operational current, AC-22A		up to 415 V	A	250	400	800	1 600	1 600
		440...500 V	A	250	400	800	1 600	1 600
		690 V	A	250	400	800	1 600	1 600
Rated operational current, AC-23A		up to 415 V	A	250	400	800	1 250	1 250
		440 V	A	250	400	800	1 250	1 250
		500 V	A	250	400	800	1 250	1 250
		690 V	A	250	400	800	1 250	1 250
Rated conditional short-circuit current I_{cc} (r.m.s.) and corresponding max. allowed cut-off current \hat{i}_c . The cut-off current \hat{i}_c refers to values listed by fuse manufacturers (single phase test acc. to IEC60269)	I_{cc} (r.m.s.)	50 kA	kA	35	50.5	71.5		
	Max. OFA_fuse size gG/aM	690 V	A	355/315	500/500	800/1 000		
	At prospective SC-current	80 kA	kA	40.5	59	83.5		
Rated short-time withstand current	r.m.s. -value I_{cw}	690 V, 1 s	kA	8	15	20	50	50
	Peak value I_{cm}	500/690 V	kA	30	65	80	110 ¹⁾	110 ¹⁾
Max. distance from switch to nearest bus bar / cable support mm							150 mm	150 mm
Power loss / pole	At rated operational current		W	6.5	10	40	29	48
Weight without accessories		3-pole	kg/lb	1.2/2.65	2.2/4.85	5.2/11.46	15.2/33.51	15.2/33.51
		4-pole	kg/lb	1.5/3.31	2.8/6.17	6.4/14.11	19.5/43	19.5/43
Terminal bolt size	Metric thread diameter x length		mm	M8x25	M10x30	M12x40	M12x50	M12x60

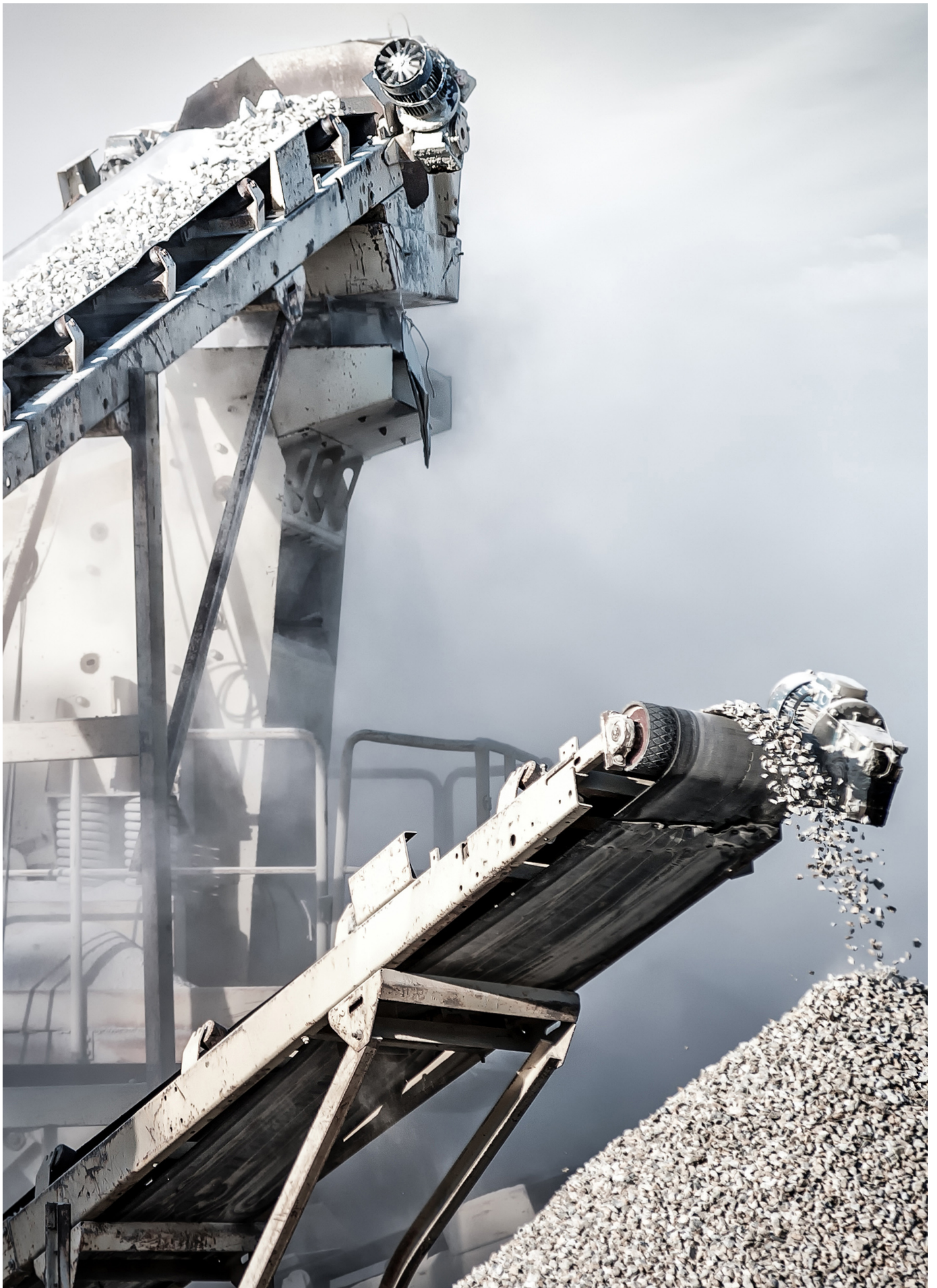
¹⁾ The value is 92 kA for 4-pole switch disconnectors.

Manual switch-disconnectors OT1600...2000, UL

Technical data for non fusible disconnect switches

Technical data according to UL/CSA			Switch type	
			OT1600U	OT2000U
Approval File #			cULus Listed E101914	cULus Listed E101914
Compliance			UL98 CSA C22.2 No.4	UL98 CSA C22.2 No.4
General Use AC ratings -40 to +40°C Voltage rating	pf=0.7...0.8 Single and three phase	A V	1 600 600	2 000 600
Maximum General Use DC Ratings		250Vdc	1 600	2 000
Short circuit rating with fuse	Fuse type L	kA	100	100
Maximum fuse size		A	2 000	2 000
Minimum electrical endurance pf. 0.75...0.8 Mechanical endurance	Divide by two for operation cycles	Oper.cycles Oper.	500 2 500	500 2 500
Gross/ net weight without handle, shaft and accessories	2-pole switch 3-pole switch 4-pole switch	kg - lb kg - lb kg -lb	37/34 - 81.6/75 52/49 - 114.6/108 69/65 - 152.1/143.3	37/34 - 81.6/75 52/49 - 114.6/108 69/65 - 152.1/143.3
Standard shaft and mounting depth	Square dimension x lenght of shaft Corresponding mounting depth	mm / in mm / in Type	12x185 / 0.47x7.3 358-444 / 13.6-16.8 0HB 274J12	12x185 / 0.47x7.3 358-444 / 13.6-16.8 0HB 274J12
Standard handle				
Terminal bolt size	Metric thread diameter x lenght	mm	M12x60 (included)	M12x60 (included)
Terminal bolt tightening torque	Counter torque required	Nm / lb.in	50 / 443	50 / 443
Terminal lug kits (optional)	75 °C wire	Qty / switch Wire range	2x OZXA-1200 2x 4x2-600MCM	2x OZXA-1200 2x 4x2-600MCM
Torque	Wire tightening Lug mounting	Nm / lb.in Nm / lb.in	56 / 500 50 / 443	56 / 500 50 / 443
Minimum enclosure dimensions	Height x Width x Depth	mm in	1 000x800x450 39.4x31.5x17.7	1 000x800x450 39.4x31.5x17.7

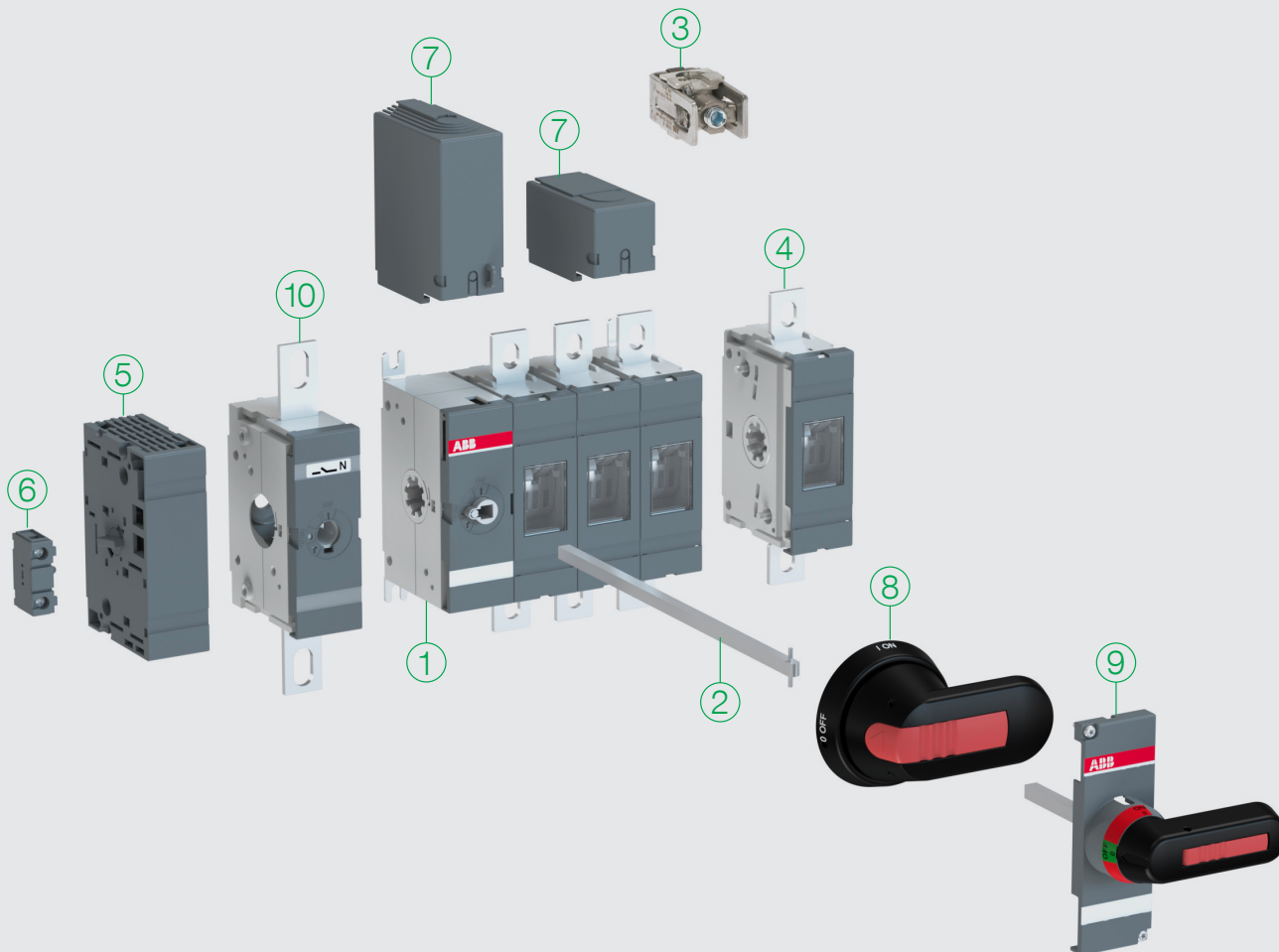
3



Manual switch-disconnectors OT160...4000

Ordering information

3



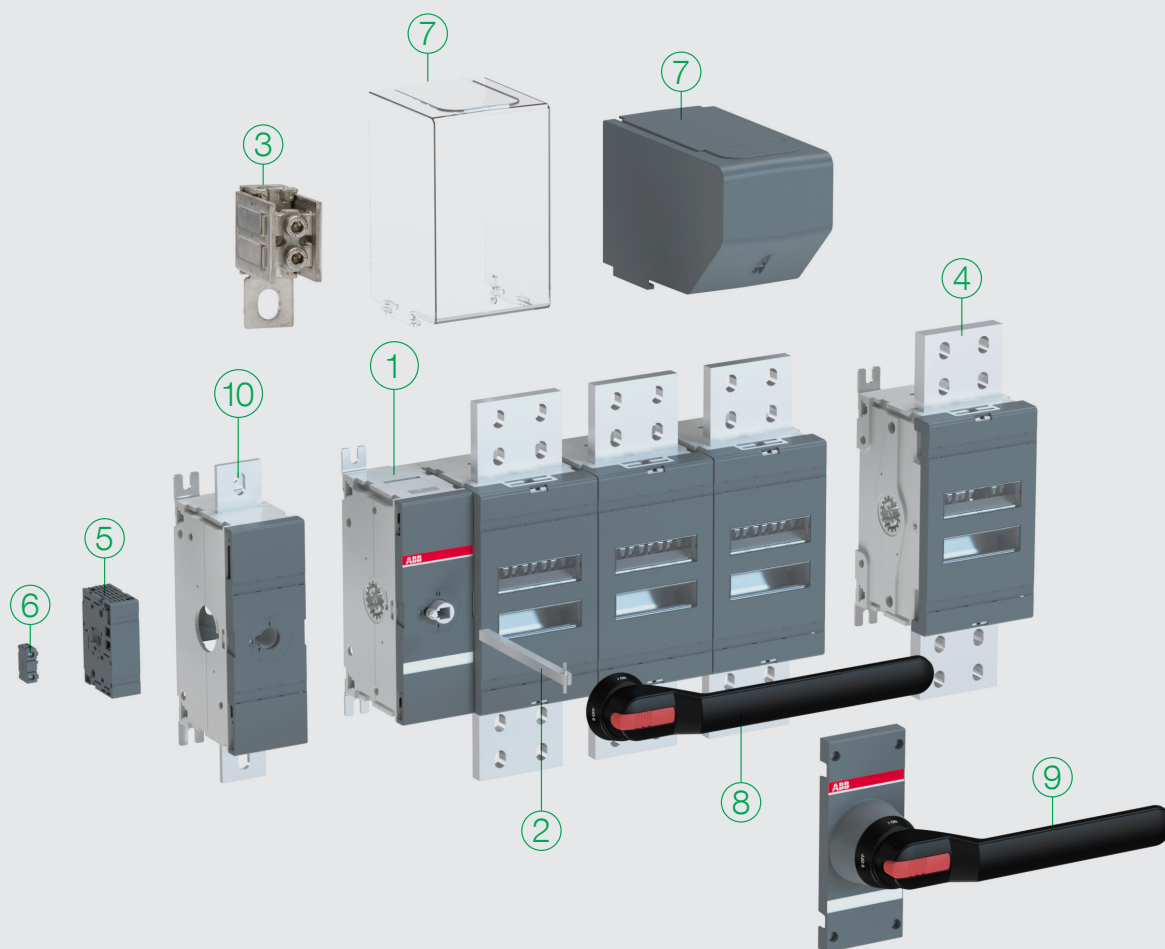
Accessory guide for OT160EV...1600

- | | |
|---------------------------------|-----------------------------|
| 1. Switch-disconnector | 6. Auxiliary contact |
| 2. Extended shaft | 7. Terminal shroud |
| 3. Terminal clamp | 8. Pistol handle |
| 4. Fourth pole | 9. Direct mounting handle |
| 5. Module for auxiliary contact | 10. Detachable neutral link |

Please note that listed accessories are not automatically included in your order.

Manual switch-disconnectors OT160...4000

Ordering information



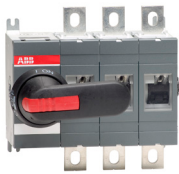
Accessory guide for OT2000...4000

- | | |
|---------------------------------|-----------------------------|
| 1. Switch-disconnector | 6. Auxiliary contact |
| 2. Extended shaft | 7. Terminal shroud |
| 3. Terminal clamp | 8. Pistol handle |
| 4. Fourth pole | 9. Direct mounting handle |
| 5. Module for auxiliary contact | 10. Detachable neutral link |

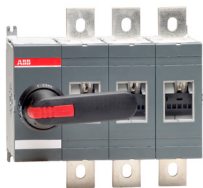
Please note that listed accessories are not automatically included in your order.

Manual switch-disconnectors OT160...4000, IEC

Ordering information



OT315...400E03P



OT630...800E03P



OT630...800E04P



OT630...800E12P



OT630...800E22P

Front operated switch-disconnectors OT160...800, base mounting, IEC

Including a black ON-OFF plastic pistol handle and shaft as standard. The handle is IP65 protected, padlockable in the OFF-position. The door is interlocked when the handle is in ON position and in OFF position when the handle is padlocked. The shaft can be adjusted to different installation depths, see mounting depths in page 127.

Number of poles	Open air thermal current I_{th} [A]	Rated operat. currents AC22A/AC23A 400...415V [A/A]	Type	Order number	Weight/unit [kg]
3	200	200/160	OT160EV03P	1SCA120514R1001	1.6
4	200	200/160	OT160EV04P	1SCA120521R1001	2.0
3	200	200/160	OT160EV12P	1SCA120529R1001	1.6
4	200	200/160	OT160EV22P	1SCA120537R1001	2.0
3	200	200/200	OT200E03P	1SCA022712R0800	1.6
4	200	200/200	OT200E04P	1SCA022713R4930	2.0
3	200	200/200	OT200E12P	1SCA022721R3990	1.6
4	200	200/200	OT200E22P	1SCA022721R4020	2.0
3	250	250/250	OT250E03P	1SCA022710R0100	1.6
4	250	250/250	OT250E04P	1SCA022710R0520	2.0
3	250	250/250	OT250E12P	1SCA022721R4110	1.6
4	250	250/250	OT250E22P	1SCA022721R4290	2.0
3	315	315/315	OT315E03P	1SCA022718R8510	3.1
4	315	315/315	OT315E04P	1SCA022719R1730	3.7
3	315	315/315	OT315E12P	1SCA022727R4190	3.1
4	315	315/315	OT315E22P	1SCA022727R4270	3.7
3	400	400/400	OT400E03P	1SCA022718R8780	3.1
4	400	400/400	OT400E04P	1SCA022719R1810	3.7
3	400	400/400	OT400E12P	1SCA022727R5750	3.1
4	400	400/400	OT400E22P	1SCA022727R5830	3.7
3	630	630/630	OT630E03P	1SCA022718R8940	6.3
3+N ¹⁾	630	630/630	OT630E03N3P	1SCA022779R4860	6.7
4	630	630/630	OT630E04P	1SCA022719R2030	7.5
3	630	630/630	OT630E12P	1SCA022753R4790	6.3
4	630	630/630	OT630E22P	1SCA022753R4870	7.5
3	800	800/800	OT800E03P	1SCA022718R9410	6.3
3+N ¹⁾	800	800/800	OT800E03N3P	1SCA022779R4780	6.7
4	800	800/800	OT800E04P	1SCA022719R2110	7.5
3	800	800/800	OT800E12P	1SCA022753R5170	6.3
4	800	800/800	OT800E22P	1SCA022753R5250	7.5

¹⁾ Include a detachable neutral link integrated into the mechanism.

Shafts, pistol handles and terminal bolt kits included as standard

Suitable for switches	Shaft	Handle	Terminal bolt kit
OT160EV...250_P	OXp6X210	0HB65J6	M8x25
OT315...400_P	OXp12X185	0HB95J12	M10x30
OT630...800_P	OXp12X185	0HB125J12	M12x40

Manual switch-disconnectors OT160...4000, IEC

Ordering information



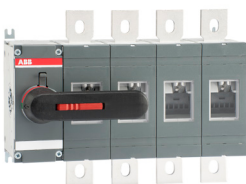
OT160EV03K
OT200...250E03K



OT315...400E03K



OT630...800E03K



OT630...800E04K

Front operated switch-disconnectors OT160...800, base mounting, IEC

Including a black Test-OFF-ON plastic direct mount handle and shaft as standard.
The handle is padlockable in the OFF-position.

Number of poles	Open air thermal current I_{th} [A]	Rated operat. currents AC22A/AC23A 400...415V [A/A]	Type	Order number	Weight/unit [kg]
3	200	200/160	OT160EV03K	1SCA120513R1001	1.5
4	200	200/160	OT160EV04K	1SCA120520R1001	1.9
3	200	200/200	OT200E03K	1SCA022763R4820	1.5
4	200	200/200	OT200E04K	1SCA022763R4910	1.9
3	250	250/250	OT250E03K	1SCA022763R5040	1.5
4	250	250/250	OT250E04K	1SCA022763R5210	1.9
3	315	315/315	OT315E03K	1SCA022763R5630	2.9
4	315	315/315	OT315E04K	1SCA022763R5710	3.5
3	400	400/400	OT400E03K	1SCA022763R5390	2.9
4	400	400/400	OT400E04K	1SCA022763R5550	3.5
3	630	630/630	OT630E03K	1SCA022779R4940	6.3
4	630	630/630	OT630E04K	1SCA022779R5080	7.5
3	800	800/800	OT800E03K	1SCA022779R5160	6.3
4	800	800/800	OT800E04K	1SCA022779R5240	7.5

Direct mount handles and terminal bolt kits included as standard

Suitable for switches	Handle	Terminal bolt kit
OT160EV...250_K	OTV250EK	M8x25
OT315...400_K	OTV400EK	M10x30
OT630...800_K	OTV800EK	M12x40

Manual switch-disconnectors OT160...4000, IEC

Ordering information



3 OT160EV04WP
OT200...250E04WP



OT160EV22WP
OT200...250E22WP

Front operated switch-disconnectors OT160...800 with wide phase distance, base mounting, IEC

The phase barriers are mounted as standard. Including a black ON-OFF plastic handle and shaft as standard. The handle is IP65 protected, padlockable in the OFF-position. The door is interlocked when the handle is in ON position and in OFF position when the handle is padlocked. The shaft can be adjusted to different installation depths, see mounting depths in page 127.

Number of poles	Open air thermal current I_{th} [A]	Rated operat. currents AC22A/AC23A 400...415V [A/A]	Type	Order number	Weight/unit [kg]
3	200	200/160	OT160EV03WP	1SCA120517R1001	1.8
4	200	200/160	OT160EV04WP	1SCA120523R1001	2.2
3	200	200/160	OT160EV12WP	1SCA120606R1001	1.8
4	200	200/160	OT160EV22WP	1SCA120539R1001	2.2
3	200	200/200	OT200E03WP	1SCA022744R2670	1.8
4	200	200/200	OT200E04WP	1SCA022744R3130	2.2
3	200	200/200	OT200E12WP	1SCA022744R2910	1.8
4	200	200/200	OT200E22WP	1SCA022744R3300	2.2
3	250	250/250	OT250E03WP	1SCA022744R3560	1.8
4	250	250/250	OT250E04WP	1SCA022744R3810	2.2
3	250	250/250	OT250E12WP	1SCA022745R0000	1.8
4	250	250/250	OT250E22WP	1SCA022745R0180	2.2
3	315	315/315	OT315E03WP	1SCA022809R8650	3.4
4	315	315/315	OT315E04WP	1SCA022809R8900	4.0
3	315	315/315	OT315E12WP	1SCA022809R9380	3.4
4	315	315/315	OT315E22WP	1SCA022810R0900	4.0
3	400	400/400	OT400E03WP	1SCA022809R8310	3.4
4	400	400/400	OT400E04WP	1SCA022809R8810	4.0
3	400	400/400	OT400E12WP	1SCA022809R9200	3.4
4	400	400/400	OT400E22WP	1SCA022810R0570	4.0

Shafts, pistol handles and terminal bolt kits included as standard

Suitable for switches	Shaft	Handle	Terminal bolt kit
OT200...250_P	OXp6X210	OHB65J6	M8x25
OT315...400_P	OXp12X185	OHB95J12	M10x30

Manual switch-disconnectors OT160...4000, IEC

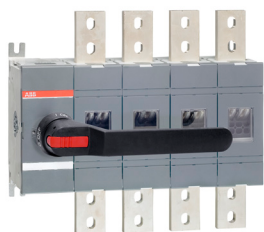
Ordering information



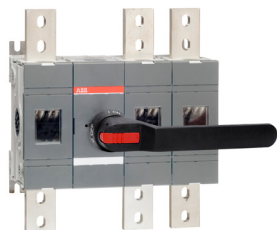
OT1000...1250E03P



OT1000...1250E22P



OT1600E04P



OT1600E12P

Front operated switch-disconnectors OT1000...4000, base mounting, IEC

Including terminal bolt kit, a black ON-OFF plastic pistol handle and shaft as standard.

The handle is IP65 protected and padlockable in the OFF position. The door is interlocked when the handle is in ON position and in OFF position when the handle is padlocked.

The shaft can be adjusted to different installation depths, see page 127.

Number of poles	Open air thermal current I_{th} [A]	Rated operat. currents AC22A/AC23A 400...415V [A/A]	Type	Order number	Weight/unit [kg]
3	1000	1000/1000	OT1000E03P	1SCA022860R5930	17.0
3+N ¹⁾	1000	1000/1000	OT1000E03N3P	1SCA100761R1001	17.9
4	1000	1000/1000	OT1000E04P	1SCA022860R6150	19.5
3	1000	1000/1000	OT1000E12P	1SCA022871R5520	17.0
4	1000	1000/1000	OT1000E22P	1SCA022871R5610	19.5
3	1250	1250/1250	OT1250E03P	1SCA022860R6230	17.0
3+N ¹⁾	1250	1250/1250	OT1250E03N3P	1SCA022865R7060	17.9
4	1250	1250/1250	OT1250E04P	1SCA022860R6310	19.5
3	1250	1250/1250	OT1250E12P	1SCA022871R5790	17.0
4	1250	1250/1250	OT1250E22P	1SCA022871R5870	19.5
3	1600	1600/1250	OT1600E03P	1SCA022860R6580	19.0
3+N ¹⁾	1600 ²⁾	1600/1250	OT1600E03N3P	1SCA022865R6920	19.9
4	1600	1600/1250	OT1600E04P	1SCA022860R6740	22.0
3	1600	1600/1250	OT1600E12P	1SCA022871R5950	19.0
4	1600	1600/1250	OT1600E22P	1SCA022871R6090	22.0

¹⁾ Include a detachable neutral link integrated into the mechanism.

²⁾ I_{th} for N-pole =1250A

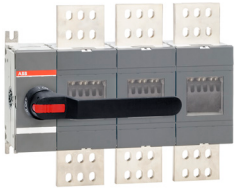
Shafts, pistol handles and terminal bolt kits included as standard

Suitable for switches	Shaft	Handle	Terminal bolt kit
OT1000...1250_P	OX P12X280	OHB274J12	M12x50
OT1600_P	OX P12X280	OHB274J12	M12x60

Manual switch-disconnectors OT160...4000, IEC

Ordering information

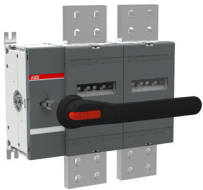
3



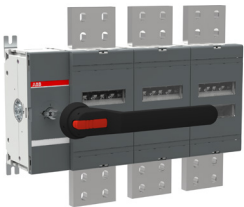
OT2000...2500E03P



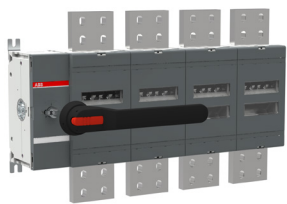
OT2500E12P



OT3200...4000E02P



OT3200...4000E03P



OT3200...4000E04P

Front operated switch-disconnectors OT1000...4000, base mounting, IEC

Including terminal bolt kit. In OT_P -types a black ON-OFF plastic handle and shaft as standard. The handle is IP65 protected and padlockable in the OFF position. The door is interlocked when the handle is in ON position and in OFF position when the handle is padlocked. The shaft can be adjusted to different installation depths, see page 127.

Number of poles	Open air thermal current I_{th} [A]	Rated operat. currents AC22B 400...415V [A/A]	Type	Order number	Weight/unit [kg]
Handle and shaft have to be ordered separately					
2	3200	3200	OT3200E02	1SCA128579R1001	22.3
3	3200	3200	OT3200E03	1SCA128480R1001	29.7
4	3200	3200	OT3200E04	1SCA128479R1001	37.1
3	3200	3200	OT3200E12	1SCA128483R1001	22.3
4	3200	3200	OT3200E13	1SCA128484R1001	29.7
4	3200	3200	OT3200E22	1SCA128485R1001	37.1
2	3800	3800	OT4000E02	1SCA128596R1001	25.4
3	3800	3800	OT4000E03	1SCA124847R1001	33.9
4	3800	3800	OT4000E04	1SCA124855R1001	42.7
3	3800	3800	OT4000E12	1SCA128872R1001	33.9
4	3800	3800	OT4000E13	1SCA124859R1001	42.7
4	3800	3800	OT4000E22	1SCA124865R1001	42.5
Handle and shaft are included (see table below)					
3	2000	2000	OT2000E03P	1SCA108036R1001	42.0
3+N ¹⁾	2000 ²⁾	2000	OT2000E03N3P	1SCA108037R1001	42.0
4	2000	2000	OT2000E04P	1SCA108038R1001	48.0
3	2000	2000	OT2000E12P	1SCA108039R1001	42.0
4	2000	2000	OT2000E22P	1SCA108041R1001	48.0
3	2500	2500	OT2500E03P	1SCA104972R1001	42.0
3+N ¹⁾	2500 ²⁾	2500	OT2500E03N3P	1SCA108035R1001	42.0
4	2500	2500	OT2500E04P	1SCA105140R1001	49.0
3	2500	2500	OT2500E12P	1SCA104978R1001	42.0
4	2500	2500	OT2500E22P	1SCA105156R1001	49.0
2	3200	3200	OT3200E02P	1SCA128581R1001	23.0
3	3200	3200	OT3200E03P	1SCA128481R1001	30.7
4	3200	3200	OT3200E04P	1SCA128482R1001	38.1
3	3200	3200	OT3200E12P	1SCA128486R1001	30.7
4	3200	3200	OT3200E13P	1SCA128487R1001	38.1
4	3200	3200	OT3200E22P	1SCA128488R1001	38.1
2	3800	3800	OT4000E02P	1SCA128595R1001	26.0
3	3800	3800	OT4000E03P	1SCA124848R1001	34.9
4	3800	3800	OT4000E04P	1SCA124856R1001	43.7
3	3800	3800	OT4000E12P	1SCA124852R1001	34.9
4	3800	3800	OT4000E13P	1SCA124861R1001	43.7
4	3800	3800	OT4000E22P	1SCA124869R1001	43.7

¹⁾ Include a detachable neutral link integrated into the mechanism.

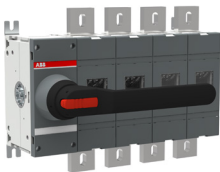
²⁾ I_{th} for N-pole =1250A

Recommended shafts, pistol handles and terminal bolt kits

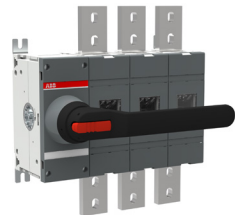
Suitable for switches	Shaft	Handle	Terminal bolt kits (included as standard)
OT2000...2500_P	OXF12X280	OHB274J12	M12x60
OT3200...4000E02...04	-	-	M12x60
OT3200...4000E02...04P	OXF12X280	OHB274J12	M12x60

Manual switch-disconnectors OT160...4000, IEC

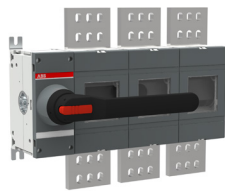
Ordering information



OT1250E04K



OT1600E03K



OT2500E03K

Front operated switch-disconnectors OT1000...4000, base mounting, IEC

Including a black Test-OFF-ON plastic direct mount handle and shaft as standard.
The handle is padlockable in the OFF-position.

Number of poles	Open air thermal current I_{th} [A]	Rated operat. currents AC22A/AC23A 400...415V [A/A]	Type	Order number	Weight/unit [kg]
3	1000	1000/1000	OT1000E03K	1SCA108353R1001	17.5
4	1000	1000/1000	OT1000E04K	1SCA108355R1001	21.5
3	1250	1250/1250	OT1250E03K	1SCA108356R1001	17.5
4	1250	1250/1250	OT1250E04K	1SCA108357R1001	21.5
3	1600	1600/1250	OT1600E03K	1SCA108352R1001	18.5
4	1600	1600/1250	OT1600E04K	1SCA108358R1001	21.5
3	2000	2000/-	OT2000E03K	1SCA108359R1001	42.3
4	2000	2000/-	OT2000E04K	1SCA108362R1001	47.8
3	2500	2500/-	OT2500E03K	1SCA108361R1001	42.3
4	2500	2500/-	OT2500E04K	1SCA108363R1001	48.8

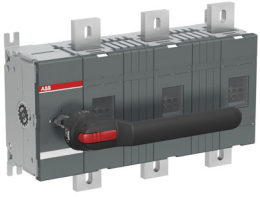
Direct mount handles and terminal bolt kits included as standard

Suitable for switches	Handle	Terminal bolt kit
OT1000...1250_K	OTV1000EK	M12x50
OT1600_K	OTV1000EK	M12x60
OT2000...2500_K	OTV1000EK	M12x60

Manual switch-disconnectors OT160...4000, IEC

Ordering information

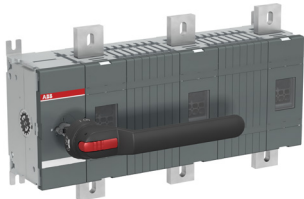
3



OT1000...1250E03W4P

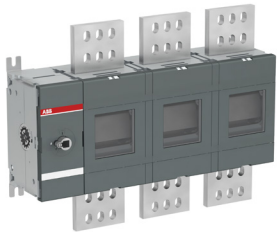
Front operated switch-disconnectors OT1000...4000 with wide phase distance, base mounting, IEC

Including a black ON-OFF plastic handle and shaft as standard. The handle is IP65 protected and padlockable in the OFF position. The door is interlocked when the handle is in ON position and in OFF position when the handle is padlocked. The shaft can be adjusted to different installation depths, see page 127.

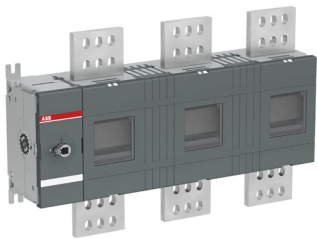


OT1000...1250E03W8P

W4 = Phase distance 140 mm, W8 = Phase distance 185 mm



OT2000...2500E03W4



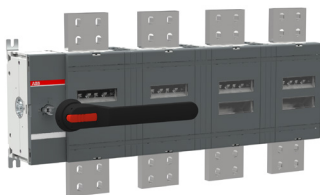
OT2000...2500E03W8

Number of poles	Open air thermal current I_{th} [A]	Rated operat. currents AC22A/AC23A 400...415V [A/A]	Type	Order number	Weight/unit [kg]
3	1000	1000/1000	OT1000E03W4P	1SCA022871R7310	19.8
4	1000	1000/1000	OT1000E04W4P	1SCA100762R1001	24.0
3	1000	1000/1000	OT1000E03W8P	1SCA022871R8110	22.0
3	1250	1250/1250	OT1250E03W4P	1SCA022866R1920	19.8
4	1250	1250/1250	OT1250E04W4P	1SCA022866R2220	24.0
3	1250	1250/1250	OT1250E03W8P	1SCA022871R8540	22.0
3	1600	1600/1250	OT1600E03W4P	1SCA022865R9860	22.0
4	1600	1600/1250	OT1600E04W4P	1SCA022866R1090	26.0
3	1600	1600/1250	OT1600E03W8P	1SCA022871R8970	24.0
3	2000	2000/*)	OT2000E03W4P	1SCA108042R1001	42.0
4	2000	2000/*)	OT2000E13W4P	1SCA109284R1001	48.0
3	2000	2000/*)	OT2000E03W8P	1SCA108045R1001	42.0
4	2000	2000/*)	OT2000E13W8P	1SCA109283R1001	48.0
3	2500	2500/*)	OT2500E03W4P	1SCA108047R1001	49.0
4	2500	2500/*)	OT2500E13W4P	1SCA109285R1001	49.0
3	2500	2500/*)	OT2500E03W8P	1SCA108049R1001	49.0
4	2500	2500/*)	OT2500E13W8P	1SCA109286R1001	49.0
3	3200	3200/*)	OT3200E03W8P	1SCA128599R1001	31.0
4	3200	3200/*)	OT3200E04W8P	1SCA128682R1001	39.0
3	3800	3800/*)	OT4000E03W8P	1SCA128687R1001	35.5
4	3800	3800/*)	OT4000E04W8P	1SCA128666R1001	44.0

*) AC22B

Shafts, pistol handles and terminal bolt kits included as standard

Suitable for switches	Shaft	Handle	Terminal bolt kit
OT1000...1250_P	OX P12X280	OHB274J12	M12X50
OT3200...4000E_	OX P12X280	OHB274J12	M12X60
OT3200...4000E_P	OX P12X280	OHB274J12	M12X60



OT3200...4000E03W8

Manual switch-disconnectors OT160...4000, IEC

Ordering information for side operated switch-disconnectors



OT160EVS04K
OT200...250ES04K



OT630...800ES03K



OT630...800ES04



OT630...800ES04K

Side operated switch-disconnectors, base mounting, IEC

Including terminal bolt kit. In OT_K -types a black ON-OFF direct mount handle as standard. The handle is padlockable in the OFF-position.

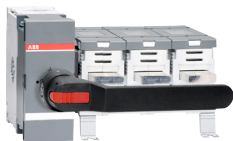
Number of poles	Open air thermal current I_{th} [A]	Rated operat. currents AC22A/AC23A 400...415V [A/A]	Type	Order number	Weight/unit [kg]
Handle has to be ordered separately					
3	200	200/160	OT160EVS03	1SCA120563R1001	1.8
4	200	200/160	OT160EVS04	1SCA120564R1001	2.2
3	200	200/200	OT200ES03	1SCA022860R0200	1.8
4	200	200/200	OT200ES04	1SCA022860R0540	2.2
3	250	250/250	OT250ES03	1SCA022860R0890	1.8
4	250	250/250	OT250ES04	1SCA022860R1010	2.2
3	315	315/315	OT315ES03	1SCA022860R1270	3.4
4	315	315/315	OT315ES04	1SCA022860R1510	4.0
3	400	400/400	OT400ES03	1SCA022860R1780	3.4
4	400	400/400	OT400ES04	1SCA022860R1940	4.0
3	630	630/630	OT630ES03	1SCA022860R2240	7.0
4	630	630/630	OT630ES04	1SCA022860R2410	8.2
3	800	800/800	OT800ES03	1SCA022860R2670	7.0
4	800	800/800	OT800ES04	1SCA022860R2830	8.2
Direct mount handle included					
3	200	200/160	OT160EVS03K	1SCA120570R1001	1.9
4	200	200/160	OT160EVS04K	1SCA120565R1001	2.3
3	200	200/200	OT200ES03K	1SCA022860R0620	1.9
4	200	200/200	OT200ES04K	1SCA022860R0710	2.3
3	250	250/250	OT250ES03K	1SCA022860R0970	1.9
4	250	250/250	OT250ES04K	1SCA022860R1190	2.3
3	315	315/315	OT315ES03K	1SCA022860R1350	3.5
4	315	315/315	OT315ES04K	1SCA022860R1600	4.1
3	400	400/400	OT400ES03K	1SCA022860R1860	3.5
4	400	400/400	OT400ES04K	1SCA022860R2080	4.1
3	630	630/630	OT630ES03K	1SCA022860R2320	7.0
4	630	630/630	OT630ES04K	1SCA022860R2590	8.4
3	800	800/800	OT800ES03K	1SCA022860R2750	7.2
4	800	800/800	OT800ES04K	1SCA022860R2910	8.4

Terminal bolt kits included as standard

Suitable for switches	Terminal bolt kit
OT160EV...250	M8x25
OT315...400	M10x30
OT630...800	M12x40

Manual switch-disconnectors OT160...4000, IEC

Ordering information for earthing switches



OT1000...1250EM03P

Front operated earthing switches, bottom mounted (EM), IEC

Including terminal bolt kit, a black OFF - \perp plastic handle and shaft as standard.

The handle is padlockable in OFF- and \perp -position.

The mechanism is turned 90 degrees for space saving.

I_{cw} = Rated short-time withstand current, I_{cm} = Rated short-circuit making capacity



OT2000...2500EM03P

Number of poles	$I_{cw} / 1\text{ s}$ [kA]	$I_{cw} / 0,25\text{ s}$ [kA]	$I_{cm\text{ peak}}$ [kA]	Type	Order number	Weight/unit [kg]
$I_{cw} / 1\text{ s} = 50\text{ kA}, I_{cm} = 110\text{ kA (peak)}$						
3	50	50	110	OT1000EM03P	1SCA118937R1001	17.5
4	50	50	92	OT1000EM04P	1SCA118950R1001	20.0
3	50	50	110	OT1250EM03P	1SCA115708R1001	17.5
4	50	50	92	OT1250EM04P	1SCA118949R1001	20.0
3	50	50	110	OT1600EM03P	1SCA115815R1001	19.5
4	50	50	92	OT1600EM04P	1SCA118948R1001	22.5
$I_{cw} / 1\text{ s} = 55\text{ kA}, I_{cw} / 0,25\text{ s} = 80\text{ kA}, I_{cm} = 176\text{ kA (peak)}$						
3	55	80	176	OT2000EM03P	1SCA118939R1001	42.5
4	55	80	176	OT2000EM04P	1SCA118947R1001	49.5
3	55	80	176	OT2500EM03P	1SCA115835R1001	42.5
4	55	80	176	OT2500EM04P	1SCA118946R1001	49.5

Front operated earthing switches with wide phase distance, bottom mounted (EM), IEC

Including terminal bolt kit, a black OFF - \perp plastic handle and shaft as standard.

The handle is padlockable in OFF- and \perp -position. W4=140mm, W8=185mm.

The mechanism is turned 90 degrees for space saving.

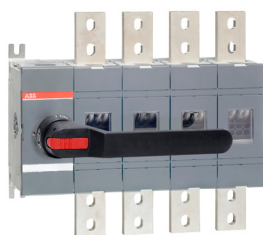
Number of poles	$I_{cw} / 1\text{ s}$ [kA]	$I_{cw} / 0,25\text{ s}$ [kA]	$I_{cm\text{ peak}}$ [kA]	Type	Order number	Weight/unit [kg]
$I_{cw} / 1\text{ s} = 50\text{ kA}, I_{cm} = 110\text{ kA (peak)}$						
3	50	50	110	OT1250EM03W4P	1SCA115805R1001	20.5
3	50	50	110	OT1250EM03W8P	1SCA115810R1001	22.5
4	50	50	92	OT1250EM04W4P	1SCA118940R1001	24.5
4	50	50	92	OT1250EM04W8P	1SCA118941R1001	26.5
3	50	50	110	OT1600EM03W4P	1SCA115822R1001	20.5
3	50	50	110	OT1600EM03W8P	1SCA115827R1001	22.5
4	50	50	92	OT1600EM04W4P	1SCA118942R1001	24.5
4	50	50	92	OT1600EM04W8P	1SCA118944R1001	26.5
$I_{cw} / 1\text{ s} = 55\text{ kA}, I_{cw} / 0,25\text{ s} = 80\text{ kA}, I_{cm} = 176\text{ kA (peak)}$						
3	55	80	176	OT2500EM03W4P	1SCA115840R1001	45.0
3	55	80	176	OT2500EM03W8P	1SCA115843R1001	47.0
4	55	80	176	OT2500EM04W4P	1SCA118943R1001	52.0
4	55	80	176	OT2500EM04W8P	1SCA118945R1001	54.0

Manual switch-disconnectors OT160...4000, IEC

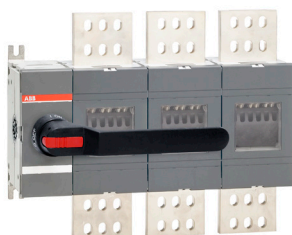
Ordering information for earthing switches



OT1000...1250EP03P



OT1600EP04P



OT2000...2500EP03P

Front operated earthing switches, base mounted (EP), IEC

Including terminal bolt kit, a black OFF - \perp plastic handle and shaft as standard.
The handle is padlockable in OFF- and \perp -position.

I_{cw} = Rated short-time withstand current, I_{cm} = Rated short-circuit making capacity

Number of poles	$I_{cw} / 1\text{ s}$ [kA]	$I_{cw} / 0,25\text{ s}$ [kA]	I_{cm} peak [kA]	Type	Order number	Weight/unit [kg]
$I_{cw} / 1\text{ s} = 50\text{ kA}, I_{cm} = 110\text{ kA (peak)}$						
3	50	50	110	OT1000EP03P	1SCA118451R1001	17.0
4	50	50	92	OT1000EP04P	1SCA118452R1001	19.5
3	50	50	110	OT1250EP03P	1SCA118453R1001	17.0
4	50	50	92	OT1250EP04P	1SCA118454R1001	19.5
3	50	50	110	OT1600EP03P	1SCA118455R1001	19.0
4	50	50	92	OT1600EP04P	1SCA118456R1001	22.0
$I_{cw} / 1\text{ s} = 55\text{ kA}, I_{cw} / 0,25\text{ s} = 80\text{ kA}, I_{cm} = 176\text{ kA (peak)}$						
3	55	80	176	OT2000EP03P	1SCA118457R1001	42.0
4	55	80	176	OT2000EP04P	1SCA118458R1001	49.0
3	55	80	176	OT2500EP03P	1SCA118459R1001	42.0
4	55	80	176	OT2500EP04P	1SCA118460R1001	49.0

Manual switch-disconnectors OT200...2000, UL

Ordering information for non-fusible disconnect switches



OT200U03P



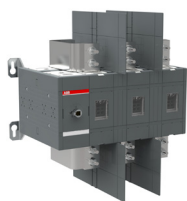
OT400U03P



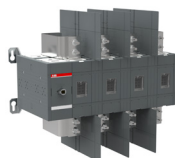
OT600U04P



OT800...1200U03P



OT1600...2000U03



OT1600...2000U04

Front operated non-fusible disconnect switches, base mounting, UL/CSA

Handle and shaft need to be ordered separately. Terminal bolts are included.

Number of poles	Ampere rating, 600 VAC [A]	Horsepower rating 3-phase [HP]			Type	Order number	Weight/unit	
		240VAC	480VAC	600VAC			[kg]	[lb]
Handle (NEMA 1, 3R, 12, IP65) and shaft have to be ordered separately								
3	200	75	150	200	OT200U03	1SCA022723R0220	1.6	3.5
4	200	75	150	200	OT200U04	1SCA022723R0490	2.0	4.4
3	200	75	150	200	OT200U12	1SCA022752R1890	1.6	3.5
4	200	75	150	200	OT200U22	1SCA022741R8960	2.0	4.4
3	400	125	250	350	OT400U03	1SCA022747R6490	3.0	6.6
4	400	125	250	350	OT400U04	1SCA022748R1060	3.6	7.9
3	400	125	250	350	OT400U12	1SCA022754R6450	3.0	6.6
4	400	125	250	350	OT400U22	1SCA022762R7110	3.6	7.9
3	600	200	450	500	OT600U03	1SCA022798R0730	6.2	13.7
4	600	200	450	500	OT600U04	1SCA022800R1750	7.5	16.5
3	600	200	450	500	OT600U12	1SCA022800R1830	6.2	13.7
4	600	200	450	500	OT600U22	1SCA022800R2130	7.5	16.5
3	800	250	500	500	OT800U03	1SCA105635R1001	18	39.7
4	800	250	500	500	OT800U04	1SCA105636R1001	21	46.3
3	800	250	500	500	OT800U12	1SCA105637R1001	18	39.7
4	800	250	500	500	OT800U22	1SCA105639R1001	21	46.3
3	1200	-	-	-	OT1200U03	1SCA022860R6820	18	39.7
4	1200	-	-	-	OT1200U04	1SCA022860R7040	21	46.3
3	1200	-	-	-	OT1200U12	1SCA105659R1001	18	39.7
4	1200	-	-	-	OT1200U22	1SCA105663R1001	21	46.3
2	1600				OT1600U02	1SCA144197R1001	37	81.6
3	1600				OT1600U03	1SCA144198R1001	52	114.6
4	1600				OT1600U04	1SCA144199R1001	69	152.1
3	1600				OT1600U12	1SCA144200R1001	52	114.6
4	1600				OT1600U13	1SCA144201R1001	69	152.1
4	1600				OT1600U22	1SCA144202R1001	69	152.1
2	2000				OT2000U02	1SCA144203R1001	37	81.6
3	2000				OT2000U03	1SCA117313R1001	52	114.6
4	2000				OT2000U04	1SCA117316R1001	69	152.1
3	2000				OT2000U12	1SCA117332R1001	52	114.6
4	2000				OT2000U13	1SCA117336R1001	69	152.1
4	2000				OT2000U22	1SCA117334R1001	69	152.1

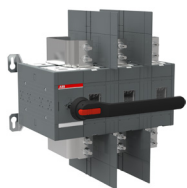
Approvals:
UL 98, CSA 22-2 No. 4
IEC 60947-3
CCC, EAC

Recommended shafts and handles

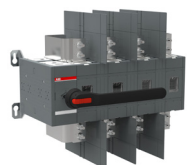
Suitable for switches	Shaft	Handle	Terminal bolt kits included
OT200U_	OXp6X210	0HB65J6	M8x25
OT400U_	OXp12X185	0HB95J12	M10x30
OT600U_	OXp12X185	0HB125J12	M12x40
OT800...2000U_	OXp12X280	0HB274J12	M12X60

Manual switch-disconnectors OT200...2000, UL

Ordering information for non-fusible disconnect switches



OT1600...2000U03P



OT1600...2000U04P

Front operated non-fusible disconnect switches, base mounting, UL/CSA

Including terminal bolts, handle and shaft as standard.

Number of poles	Ampere rating, 600 V AC [A]	Type	Order number	Weight/unit	
				[kg]	[lb]
Switch with handle and shaft					
2	1600	OT1600U02P	1SCA144206R1001	38	83.8
3	1600	OT1600U03P	1SCA144207R1001	53	116.9
4	1600	OT1600U04P	1SCA144208R1001	70	154.3
3	1600	OT1600U12P	1SCA144209R1001	53	116.9
4	1600	OT1600U13P	1SCA144210R1001	70	154.3
4	1600	OT1600U22P	1SCA144211R1001	70	154.3
2	2000	OT2000U02P	1SCA144212R1001	38	83.8
3	2000	OT2000U03P	1SCA117314R1001	53	116.9
4	2000	OT2000U04P	1SCA117317R1001	70	154.3
3	2000	OT2000U12P	1SCA117333R1001	53	116.9
4	2000	OT2000U13P	1SCA117337R1001	70	154.3
4	2000	OT2000U22P	1SCA117335R1001	70	154.3

Shafts, pistol handles and terminal bolt kits included as standard

Suitable for switches	Shaft	Handle	Terminal bolt kits
OT1600...2000_P	OXp12X280	OHb274J12	M12X60

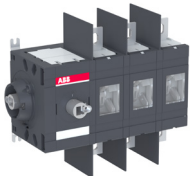
Manual switch-disconnectors OT200...2000, UL

Ordering information for side operated non-fusible disconnect switches

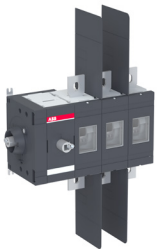
3



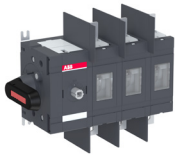
OT200US03



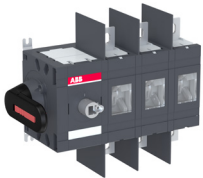
OT400US03



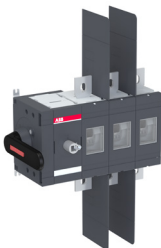
OT600US03



OT200US03K



OT400US03K



OT600US03K

Side operated non-fusible disconnect switches, base mounting, UL/CSA

Including terminal bolt kit. In OT_K -types a black ON-OFF direct mount handle as standard. The handle is padlockable in the OFF-position.

Number of poles	Ampere rating [A]	Horsepower rating 3-phase [HP]			Type	Order number	Weight/unit	
		240VAC	480VAC	600VAC			[kg]	[lb]
Handle and shaft have to be ordered separately								
3	200	75	150	200	OT200US03	1SCA022870R6290	1.755	3.86
4	200	75	150	200	OT200US04	1SCA022870R6370	2.155	4.74
3	400	125	250	350	OT400US03	1SCA022870R6610	3.06	6.73
4	400	125	250	350	OT400US04	1SCA022870R6700	3.56	7.83
3	600	200	400	500	OT600US03	1SCA022870R7000	6.2	13.64
4	600	200	400	500	OT600US04	1SCA022870R7260	6.2	13.64
Direct mount handle included								
3	200	75	150	200	OT200US03K	1SCA022870R6450	1.855	4.08
4	200	75	150	200	OT200US04K	1SCA022870R6530	2.255	4.96
3	400	125	250	350	OT400US03K	1SCA022870R6880	3.16	6.95
4	400	125	250	350	OT400US04K	1SCA022870R6960	3.66	8.05
3	600	200	400	500	OT600US03K	1SCA022870R7340	6.2	13.64
4	600	200	400	500	OT600US04K	1SCA022870R7420	6.2	13.64

Approvals:
 - OT200, 400, 600: UL 98, CSA 22-2 No. 4
 - IEC 60947-3

Recommended shafts and handles

Suitable for switches	Shaft	Handle	Terminal bolts included as standard
OT200U_	OXP6X210	OHB65J6E00S	M8x25
OT400U_	OXP12X185	OHB145J12E00S	M10x30



Manual switch-disconnectors OT160...4000

Dimensional drawings

3

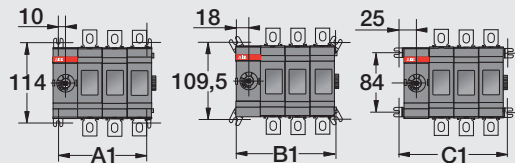
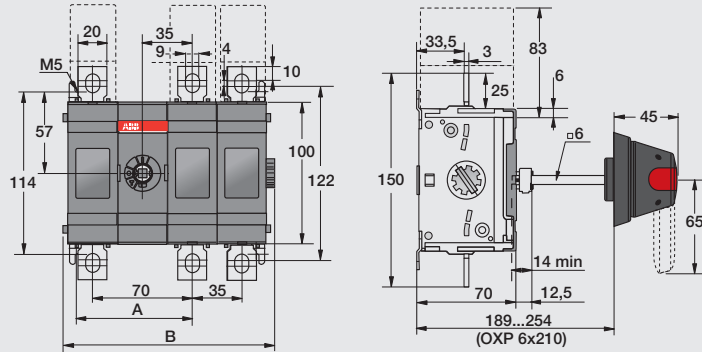
Front operated switch-disconnectors OT160...800, base mounting, IEC

OT160EV_P, OT200_P and OT250_P

Mechanism at the end of the switch or between the poles
mm

OT160EV_/200E_/250E_				
[mm]	E01	E02	E03	E04
A	75,5	110,5	145,5	180,5
A1	55	90	125	160
B1	71	106	141	176
C1	85	120	155	190

M00011/S01843 OT200_250E01_04 F

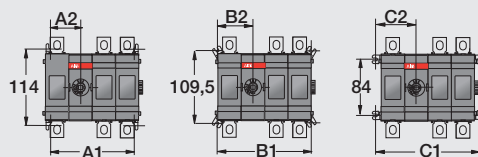
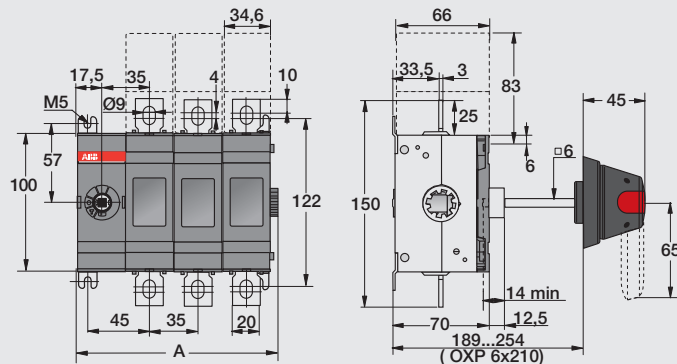


OT160EV_P, OT200_P and OT250_P

Mechanism at the end of the switch or between the poles
mm

OT160EV_/200E_/250E_				
[mm]	E11	E12	E13	E22
A	80	80	80	115
B	115,5	160,5	185,5	185,5
A1	90	125	160	160
A2	45	45	45	80
B1	106	141	141	176
B2	53	53	53	88
C1	120	155	190	190
C2	60	60	60	95

M00017/OT200_250E11_22 F



Manual switch-disconnectors OT160...4000

Dimensional drawings

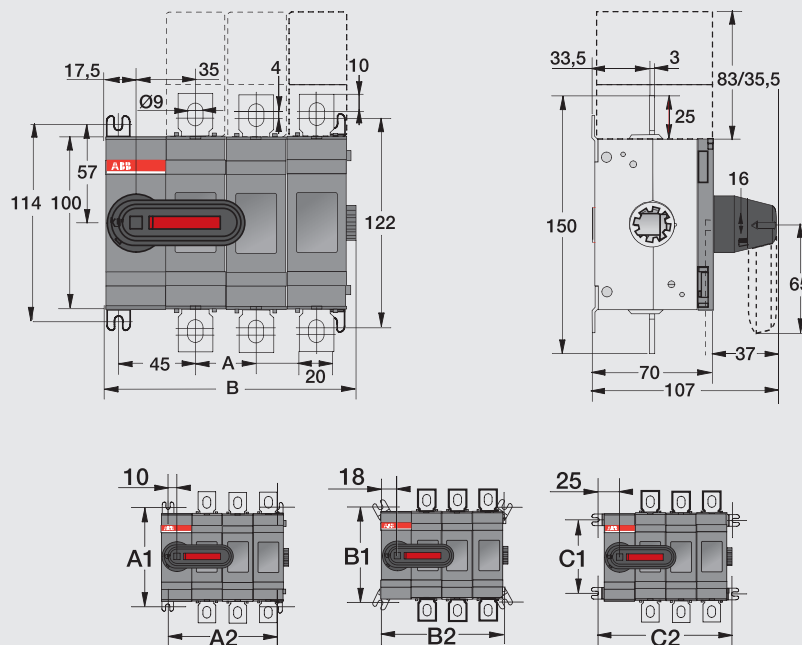
Front operated switch-disconnectors OT160...800, base mounting, IEC

OT160EV_K, OT200_K and OT250_K

mm

OT160EV_K/200E_K/250E_K				
[mm]	E01K	E02K	E03K	E04K
A	-	35	35	35
B	75,5	110,5	145,5	180,5
A1	114	114	114	114
A2	55	90	125	160
B1	109,5	109,5	109,5	109,5
B2	71	106	141	176
C1	84	84	84	84
C2	85	120	155	190

M00078/OT200_250E01_04K A



Manual switch-disconnectors OT160...4000

Dimensional drawings

3

Front operated switch-disconnectors OT160...800 with wide phase distance, base mounting, IEC

OT160EV_WP, OT200_WP and OT250_WP

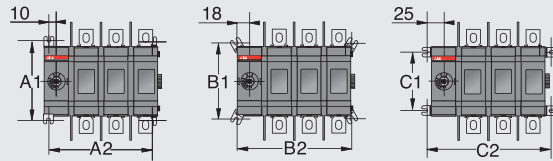
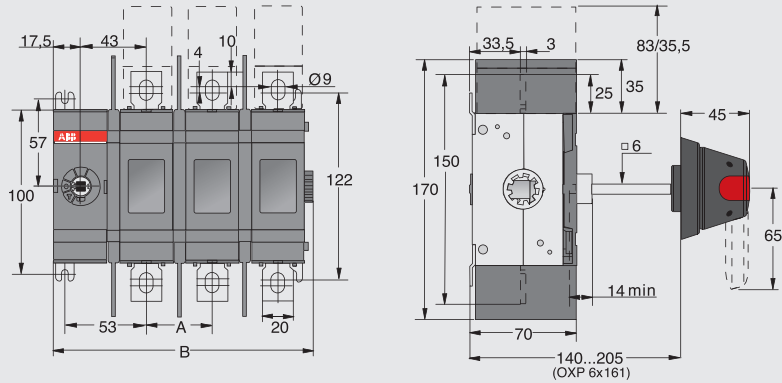
Mechanism at the end of the switch

mm

OT160EV /200E /250E

[mm]	E01W	E02W	E03W	E04W
A	-	43	43	43
B	83,5	126,5	169,5	212,5
A1	114	114	114	114
A2	63	106	149	192
B1	109,5	109,5	109,5	109,5
B2	79	122	165	208
C1	84	84	84	84
C2	93	136	179	222

M00073/OT200E01_04W A



OT160EV_WP, OT200_WP and OT250_WP

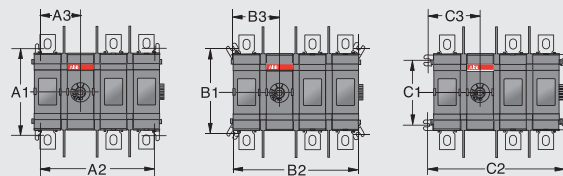
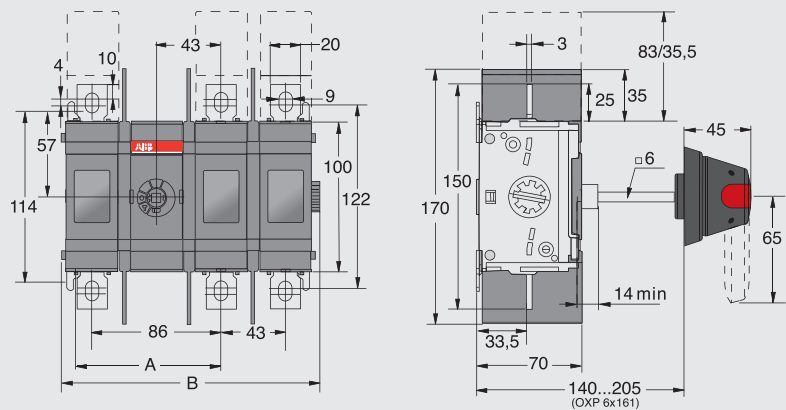
Mechanism between the poles

mm

OT160EV /200E /250E

[mm]	E11W	E12W	E13W	E22W
A	96	96	96	139
B	131,5	174,5	217,5	217,5
A1	114	114	114	114
A2	106	149	192	192
A3	53	53	53	96
B1	109,5	109,5	109,5	109,5
B2	122	165	208	208
B3	61	61	61	104
C1	84	84	84	84
C2	136	179	222	222
C3	68	68	68	111

M00074/OT200E11_22W A



Manual switch-disconnectors OT160...4000

Dimensional drawings

Front operated switch-disconnectors OT160...800, base mounting, IEC

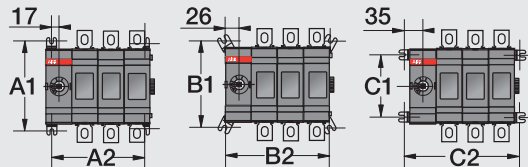
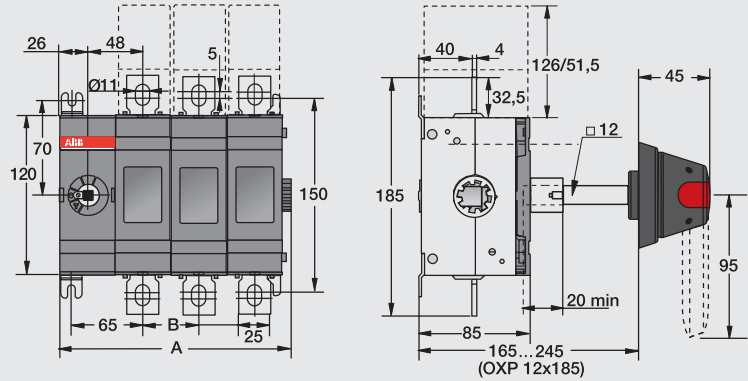
OT315_P and OT400_P

Mechanism at the end of the switch or between the poles

mm

OT315...OT400				
[mm]	E01	E02	E03	E04
A	103	147	191	235
B	-	44	44	44
A1	140	140	140	140
A2	78	122	166	210
B1	135	135	135	135
B2	96	140	184	228
C1	104	104	104	104
C2	114	158	202	246

M00012_ES/OT315_400E01_04 E



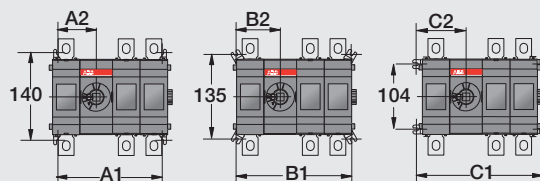
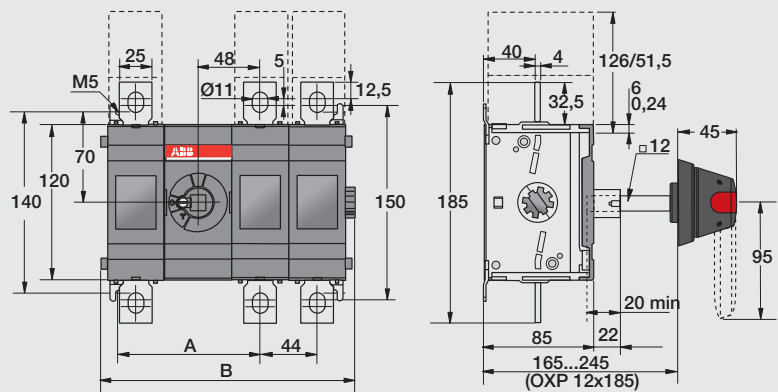
OT315_P and OT400_P

Mechanism at the end of the switch or between the poles

mm

OT315/400				
[mm]	E11	E12	E13	E22
A	109	109	109	153
B	152	196	240	240
A1	122	166	210	210
A2	61	61	61	105
B1	140	184	228	228
B2	70	70	70	114
C1	158	202	246	246
C2	79	79	79	123

M00018/OT315_400E11_22 E



Manual switch-disconnectors OT160...4000

Dimensional drawings

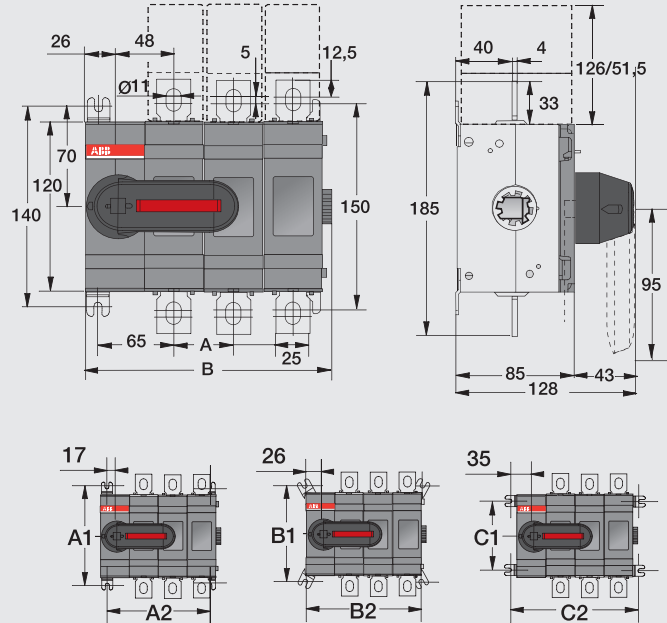
Front operated switch-disconnectors OT160...800, base mounting, IEC

OT315_K and OT400_K

mm

OT315...OT400				
[mm]	E01K	E02K	E03K	E04K
A	-	44	44	44
B	103	147	191	235
A1	140	140	140	140
A2	78	122	166	210
B1	135	135	135	135
B2	96	140	184	228
C1	104	104	104	104
C2	114	158	202	246

M00079/OT315_400E01_04K A



Manual switch-disconnectors OT160...4000

Dimensional drawings

Front operated switch-disconnectors OT160...800 with wide phase distance, base mounting, IEC

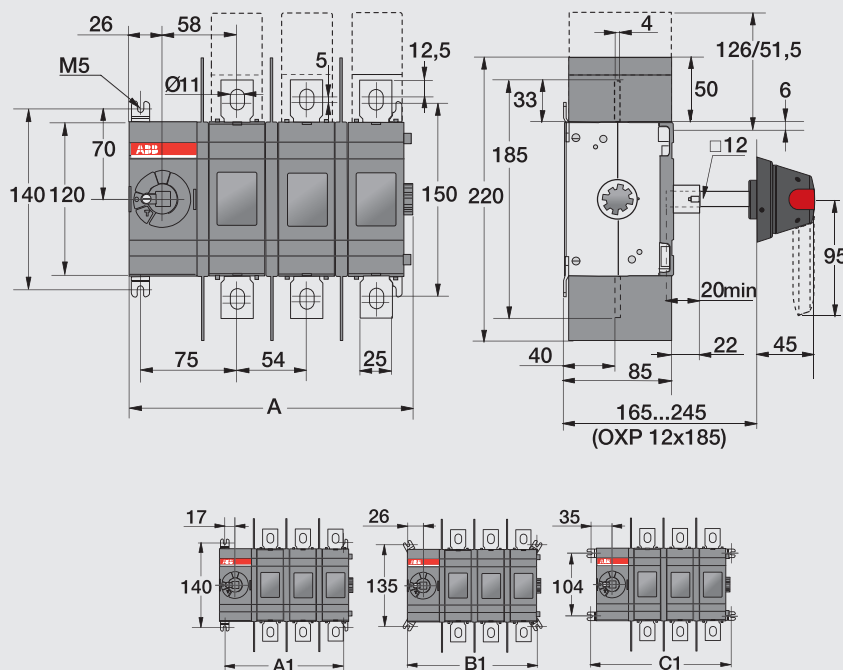
OT315_WP and OT400_WP

mm

OT315/400				
[mm]	E01W	E02W	E03W	E04W
A	113	167	221	275
A1	88	142	196	250
B1	106	160	214	268
C1	124	178	232	286

M00019/OT400U/E01_04W/ES G

Remark: Dimension drawings for types OT1000_W_P...OT1600_W_P, see page 98 and OT2000...2500_W_P, see page 101.



Manual switch-disconnectors OT160...4000

Dimensional drawings

Front operated switch-disconnectors OT160...800, base mounting, IEC

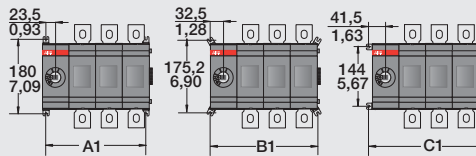
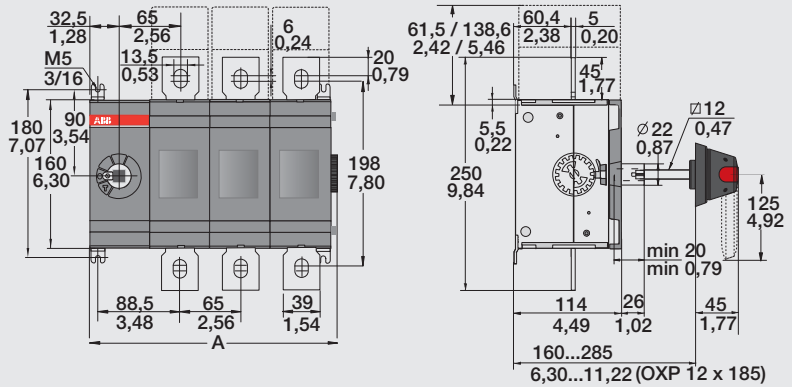
OT630_P and OT800_P

Mechanism at the end of the switch or between the poles

mm/in

OT630/800				
[mm/in]	E01	E02	E03	E04
A	136/5,35	201/7,91	266/10,47	331/13,03
A1	112/4,41	177/6,97	242/9,53	307/12,09
B1	130/5,12	195/7,68	260/10,24	325/12,80
C1	148/5,83	213/8,39	278/10,95	343/13,50

C00013_/13OT630_800_01_04 B /ES



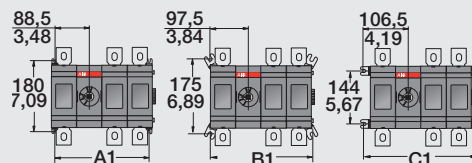
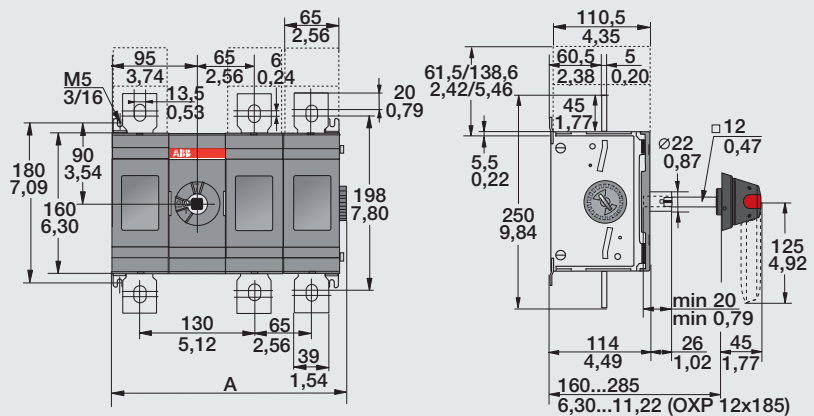
OT630_P and OT800_P

Mechanism at the end of the switch or between the poles

mm/in

OT630/800				
[mm/in]	E11	E12	E13	E22
A	201/7,91	266/10,47	331/13,03	331/13,03
A1	177/6,97	242/9,53	307/12,09	307/12,09
B1	195/7,68	260/10,24	325/12,80	325/12,80
C1	213/8,39	278/10,95	343/13,50	343/13,50

M00082/OT630-800_11_22 C /ES



Manual switch-disconnectors OT160...4000

Dimensional drawings

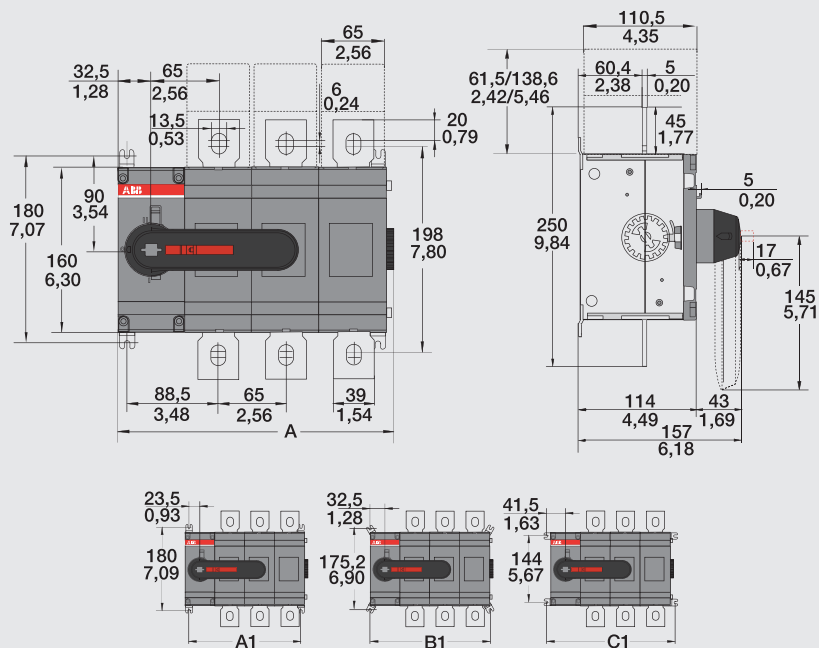
Front operated switch-disconnectors OT160...800, base mounting, IEC

OT630_K and OT800_K

mm/in

OT630/800				
[mm/in]	E01K	E02K	E03K	E04K
A	136/5,35	201/7,91	266/10,47	331/13,03
A1	112/4,41	177/6,97	242/9,53	307/12,09
B1	130/5,12	195/7,68	260/10,24	325/12,80
C1	148/5,83	213/8,39	278/10,95	343/13,50

M00096/13*OT630-800_01-04K/ES A



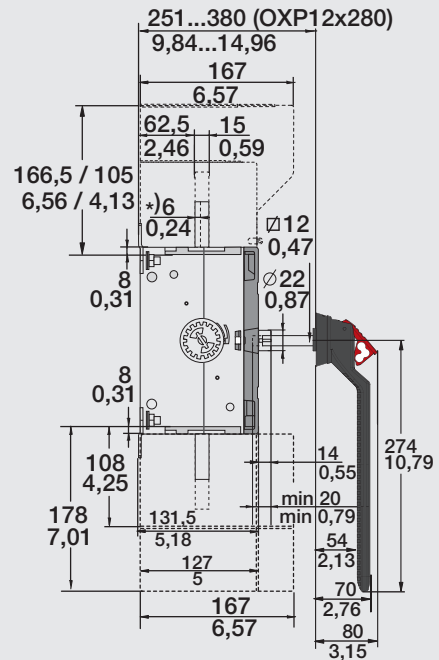
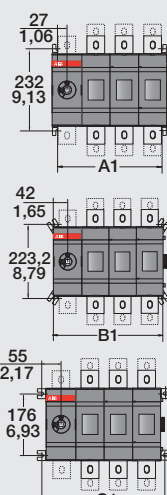
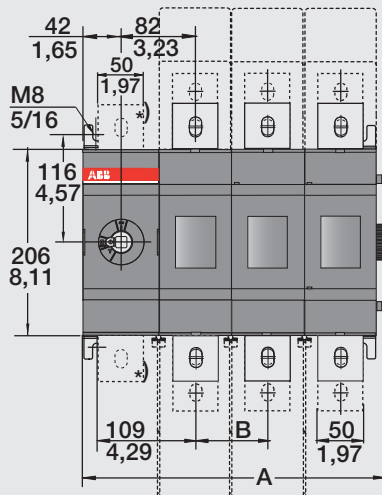
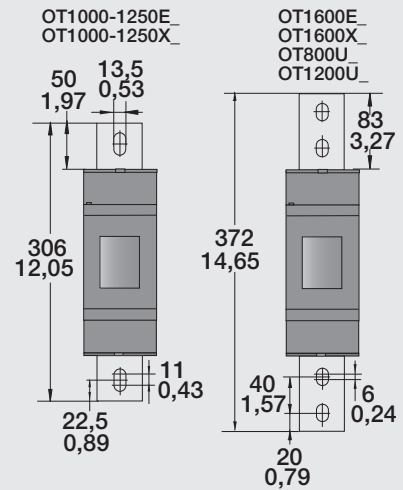
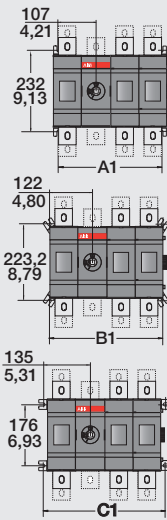
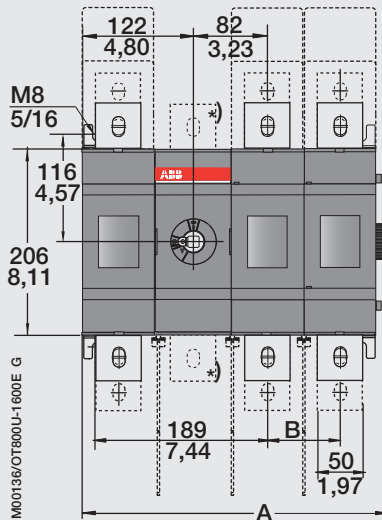
Manual switch-disconnectors OT160...4000

Dimensional drawings

Front operated switch-disconnectors OT1000...4000, base mounting, IEC

OT1000_P, OT1250_P and OT1600_P

mm/in



*) N3 types

OT1000/1250/1600E

[mm/in]	03W4	04W4	03W8	04W8
A	454,50/17,89	594,50/23,41	544,50/21,44	729,50/28,72
B	140/5,51	140/5,51	185/7,28	185/7,28
A1	414/16,30	554/21,81	504/19,84	689/27,13
B1	444/17,48	584/22,99	534/21,02	719/28,31
C1	470/18,50	610/24,02	560/22,05	745/29,33

M00135/OT800U-1600E G

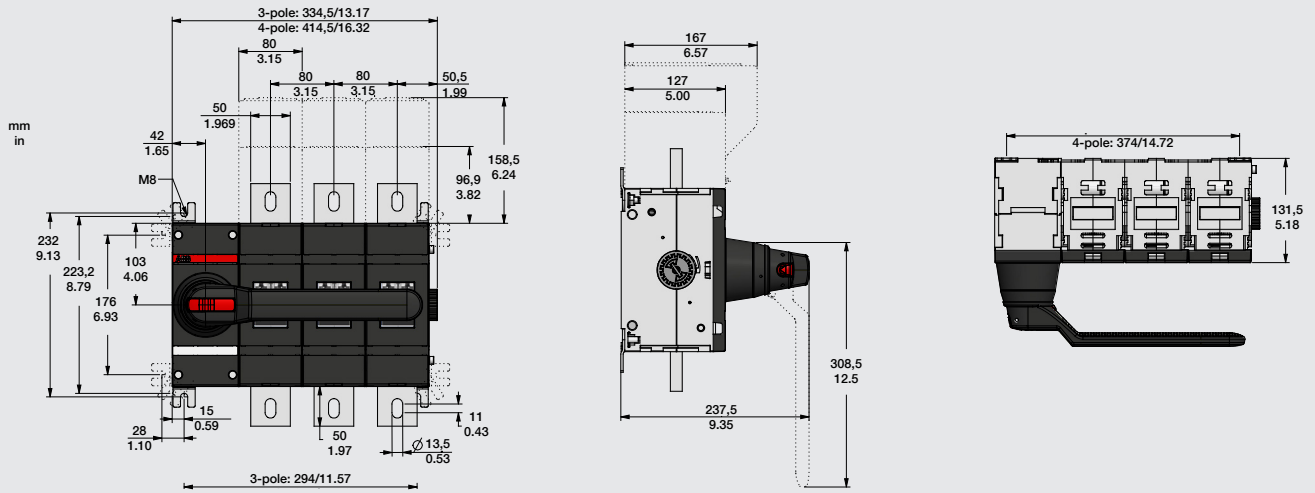
Manual switch-disconnectors OT160...4000

Dimensional drawings

OT1000...1250

Mechanism at the end of the switch

mm/in

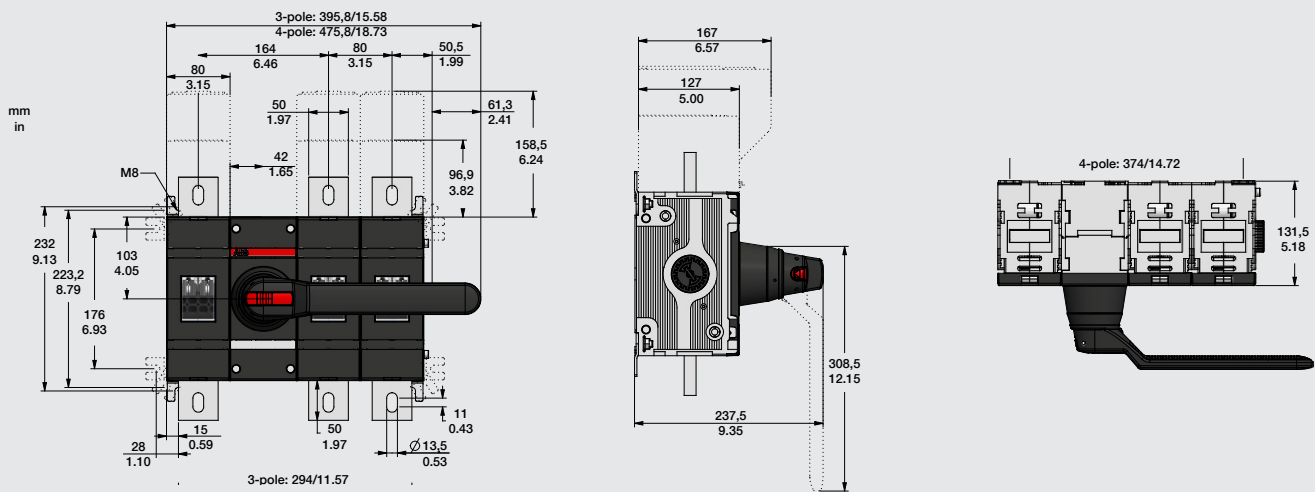


M00508/OT1000-1250E0_A

OT1000...1250

Mechanism between the poles

mm/in



M00509/OT1000-1250E_2 A

Manual switch-disconnectors OT160...4000

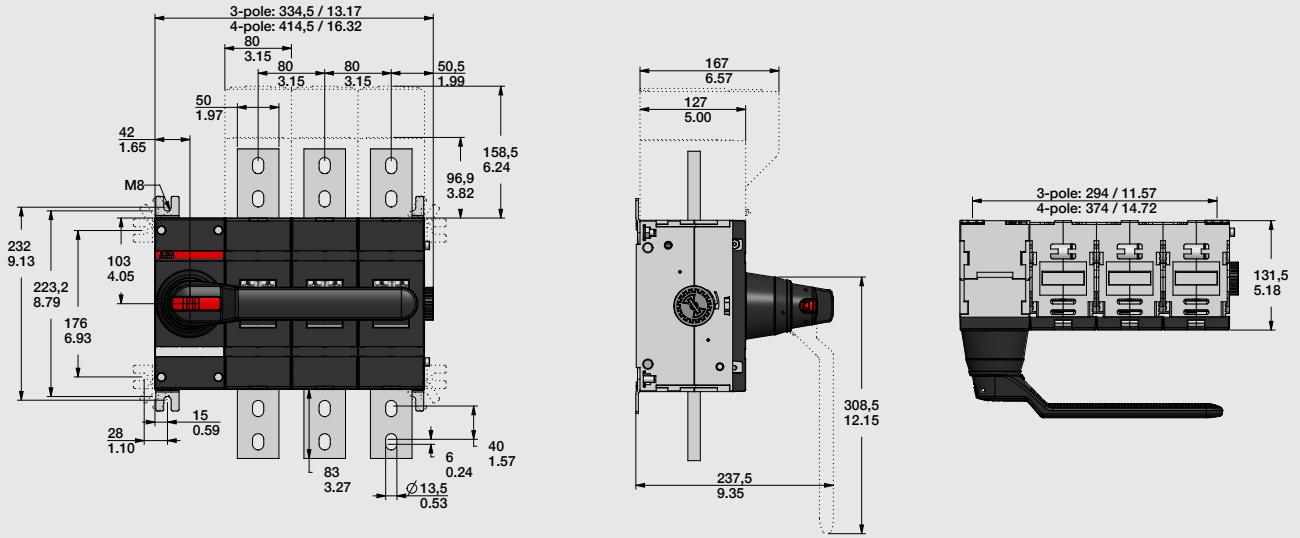
Dimensional drawings

3

OT1600

Mechanism at the end of the switch

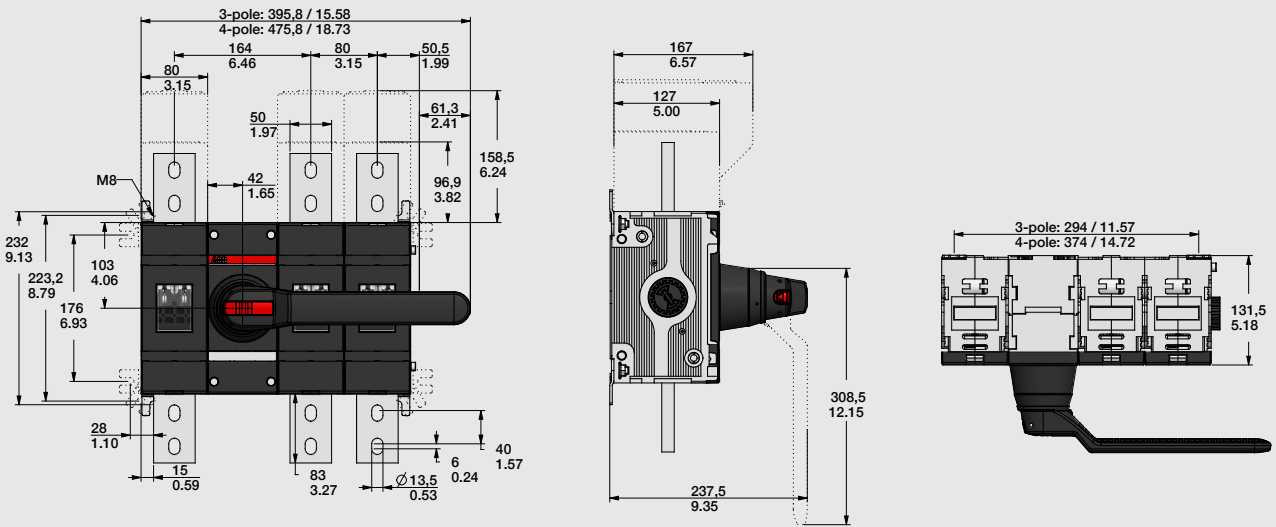
mm/in



OT1600

Mechanism between the poles

mm/in



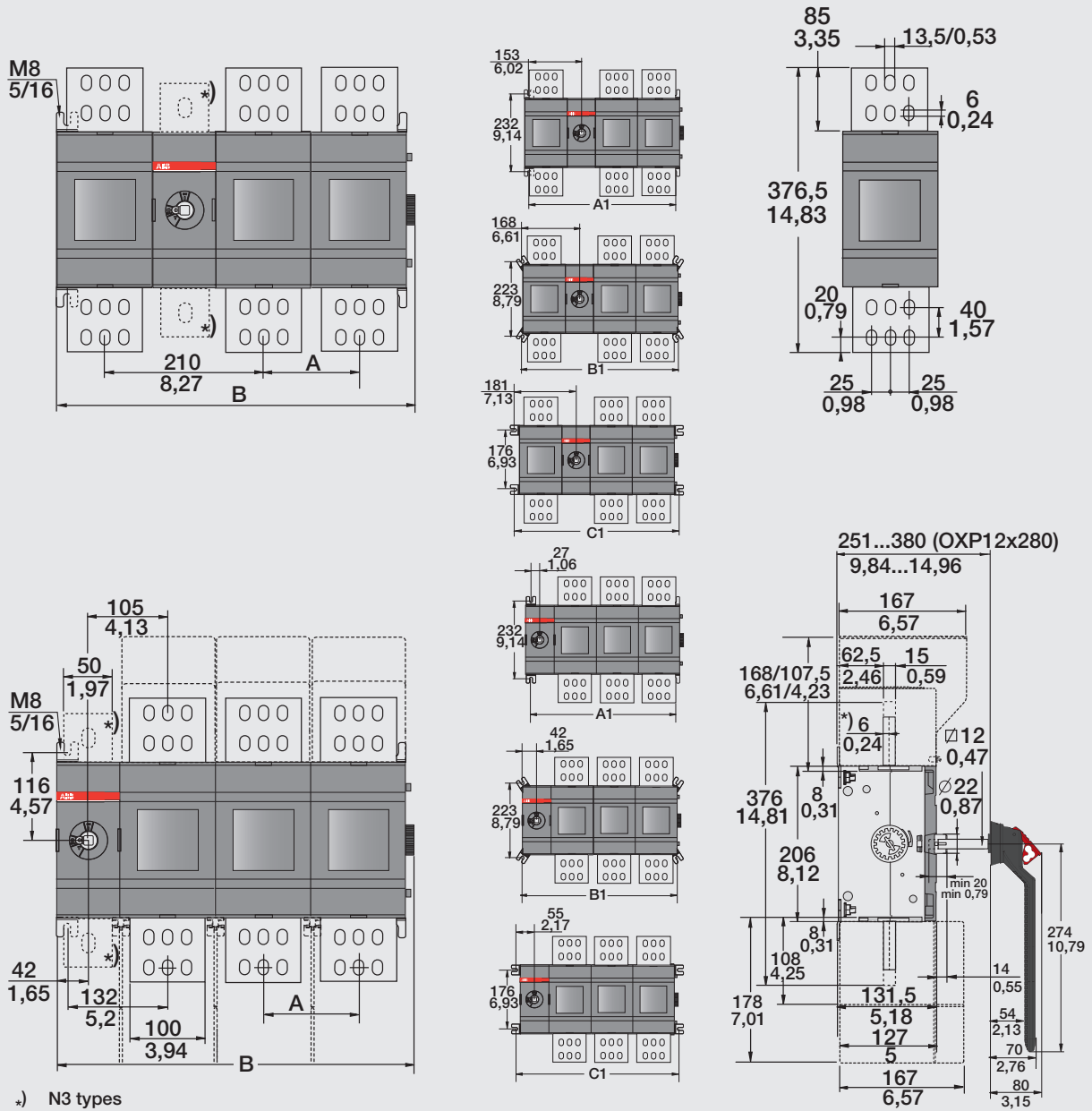
Manual switch-disconnectors OT160...4000

Dimensional drawings

Front operated switch-disconnectors OT1000...4000, base mounting, IEC

OT2000_P and OT2500_P

mm/in



OT2000/2500E

[mm/in]	01	02	03	04	11	12	13	22	03W4	04W4	03W8	04W8
A		126/4,96	126/4,96	126/4,96		126/4,96	126/4,96	126/4,96	140/5,51	140/5,51	185/7,28	185/7,28
B	220,5/8,68	346,5/13,64	472,5/18,60	598,5/23,56	346,5/13,64	472,5/18,60	598,5/23,56	598,5/23,56	500,5/19,70	640,5/25,22	590,5/23,25	775,5/30,53
A1	180/7,09	306/12,05	432/17,01	558/21,97	306/12,05	432/17,01	558/21,97	558/21,97	460/18,11	600/23,62	550/21,65	735/28,94
B1	210/8,27	336/13,23	462/18,19	588/23,15	336/13,23	462/18,19	588/23,15	588/23,15	490/19,29	630/24,80	580/22,83	765/30,12
C1	236/9,29	362/14,25	488/19,21	614/24,17	362/14,25	488/19,21	614/24,17	614/24,17	516/20,31	656/25,83	606/23,86	791/31,14

M00137/ OT2000_2500E01-04 D

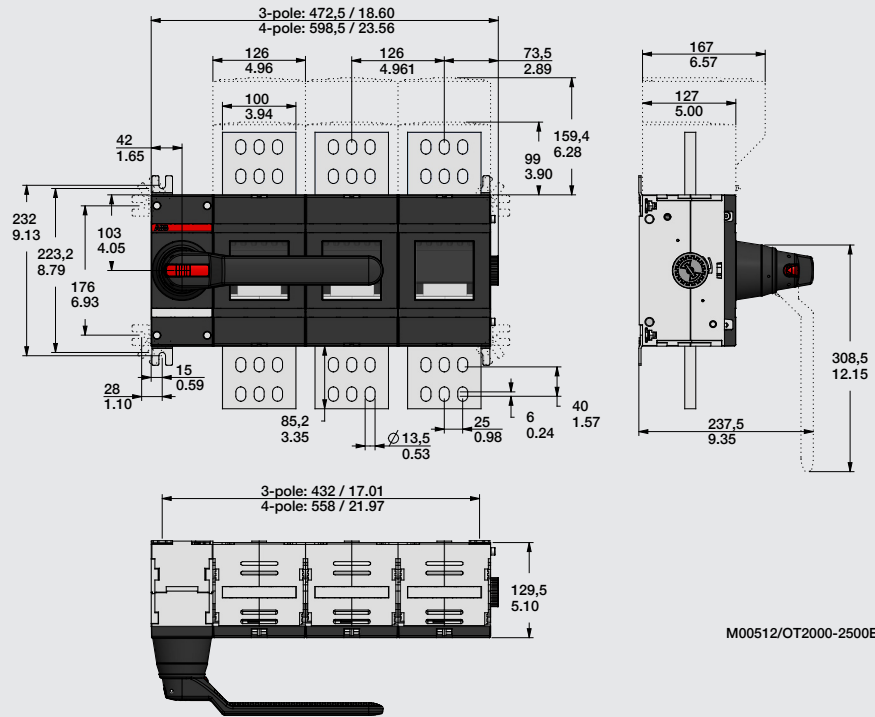
Manual switch-disconnectors OT160...4000

Dimensional drawings

3

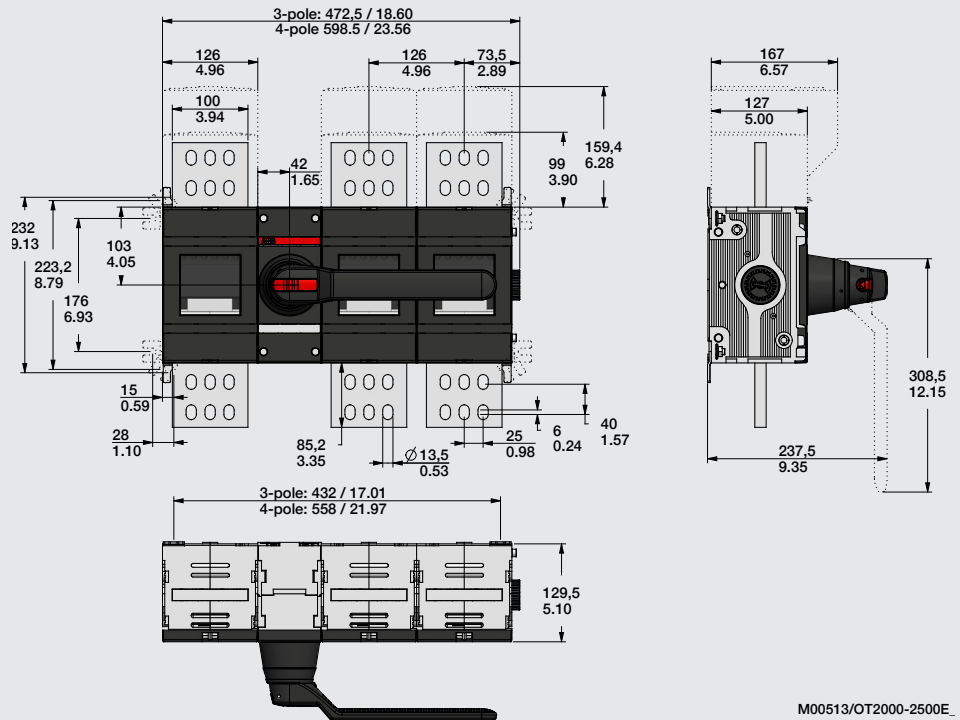
OT2000...2500

Mechanism at the end of the switch
mm/in



OT2000...2500

Mechanism between the poles
mm/in



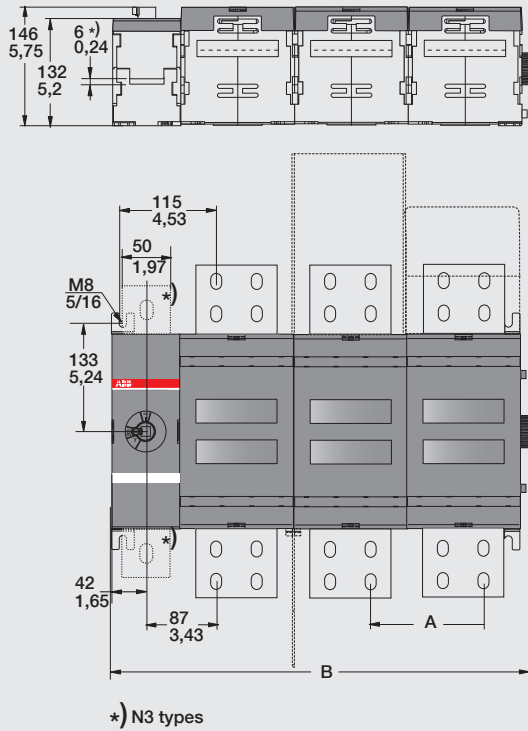
Manual switch-disconnectors OT160...4000

Dimensional drawings

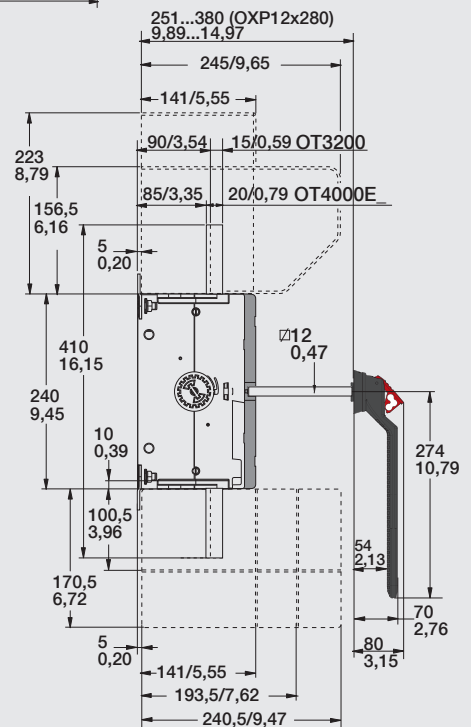
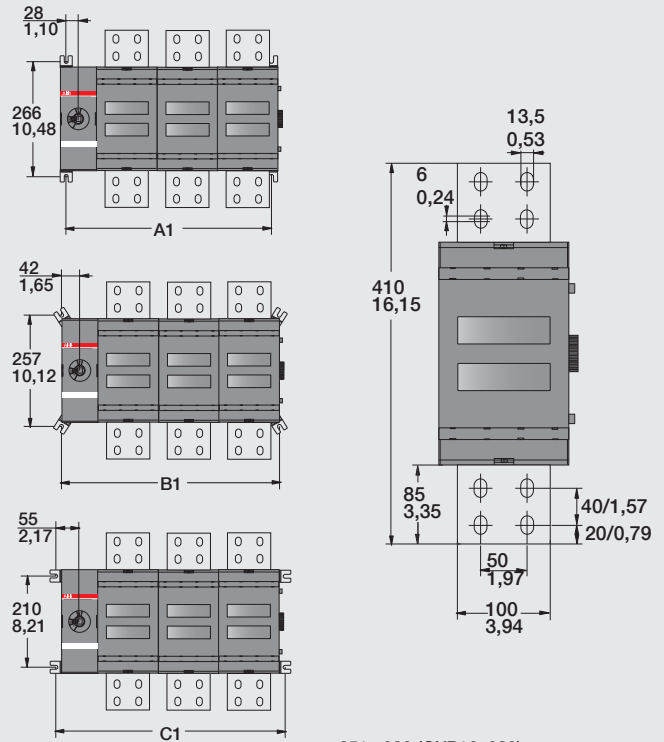
Front operated switch-disconnectors OT1000...4000, base mounting, IEC

OT3200...4000E_

mm/in



*) N3 types



OT3200E_, 4000E_						
[mm/in]	01	02	03	04	03W8	04W8
A	140/5,51	140/5,51	140/5,51	185/7,28	185/7,28	185/7,28
B	234/9,21	374/14,72	514/20,24	654/25,75	604/23,78	789/31,06
A1	195/7,68	335/13,19	475/18,70	615/24,21	565/22,24	750/29,53
B1	224/8,82	364/14,33	504/19,84	644/25,35	594/23,39	779/30,67
C1	250/9,84	390/15,35	530/20,87	670/26,38	805/31,69	619/24,37

M00421/OT3200_4000E01-04 E

Manual switch-disconnectors OT160...4000

Dimensional drawings

Side operated switch-disconnectors OT160...800, base mounting, IEC

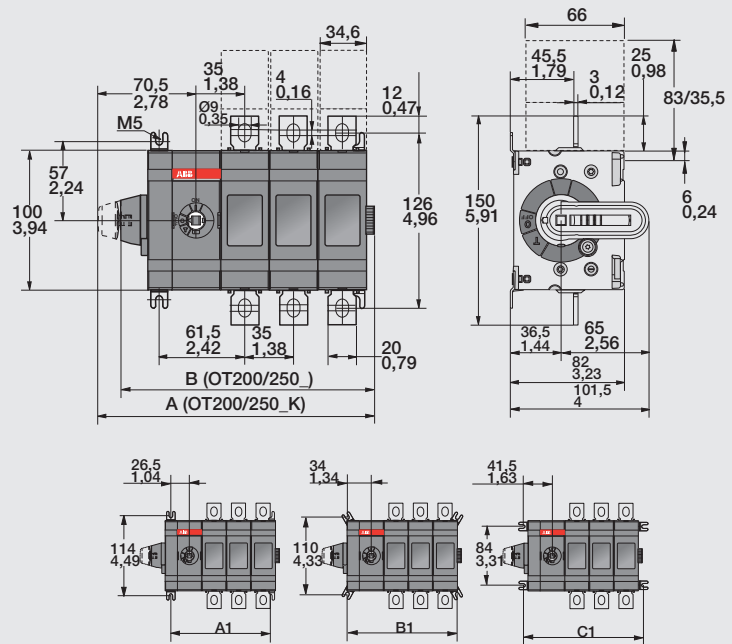
OT160EVs, OT200ES_ and OT250ES_

mm/in

OT160EV_/200E_/250E_, OT160EV_/200E/250E_K

[mm/in]	ES01	ES02	ES03	ES04
A	128,5/5,06	163,5/6,44	198,5/7,82	233,5/9,2
B	111,5/4,39	146,5/5,77	181,5/7,15	216,5/8,53
A1	71,5/2,81	106,5/4,2	141,5/5,57	176,5/6,95
B1	86,5/3,41	121,5/4,79	156,5/6,16	191,5/7,54
C1	101,5/4	136,5/5,38	171,5/6,75	206,5/8,14

M00144/OT200-250ES01_-04_ A



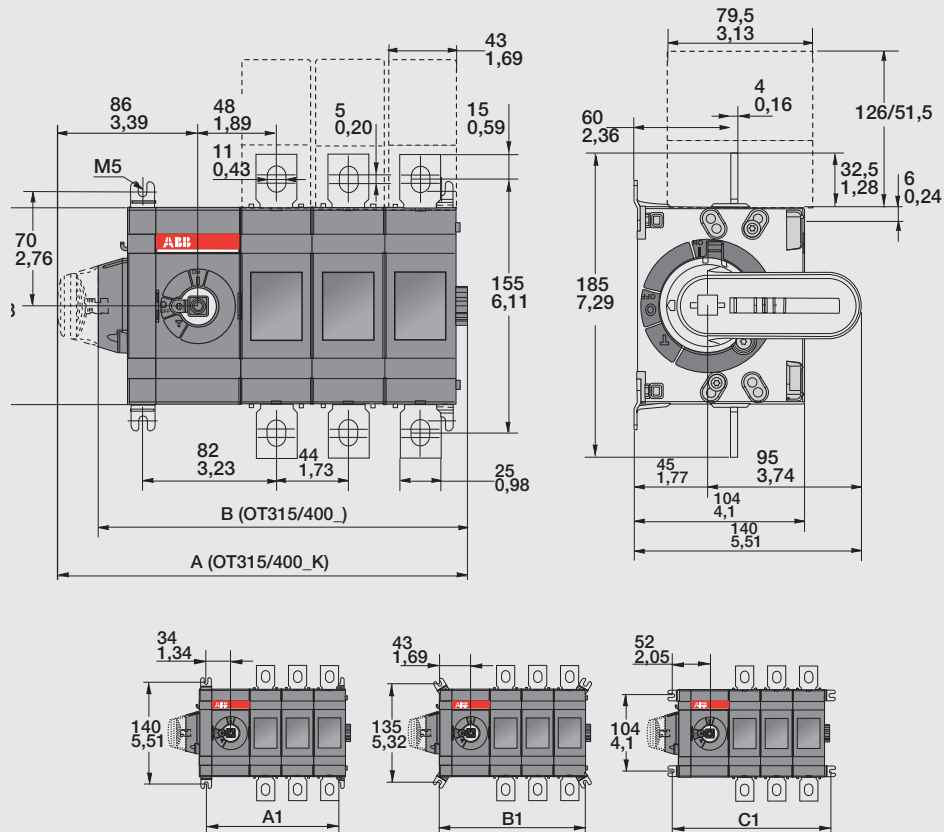
Manual switch-disconnectors OT160...4000

Dimensional drawings

Side operated switch-disconnectors OT160...800, base mounting, IEC

OT315ES_ and OT400ES_

mm/in



OT315/400_ OT315/400_K

[mm/in]	ES01	ES02	ES03	ES04
A	163/6,42	207/8,16	251/9,89	295/11,62
B	138/5,44	182/7,17	226/8,9	270/10,64
A1	95/3,74	139/5,48	183/7,21	227/8,94
B1	113/4,45	157/6,18	201/7,92	245/9,65
C1	131/5,16	175/6,89	219/8,63	263/10,36

M00145/OT315-400ES01_-04_ A

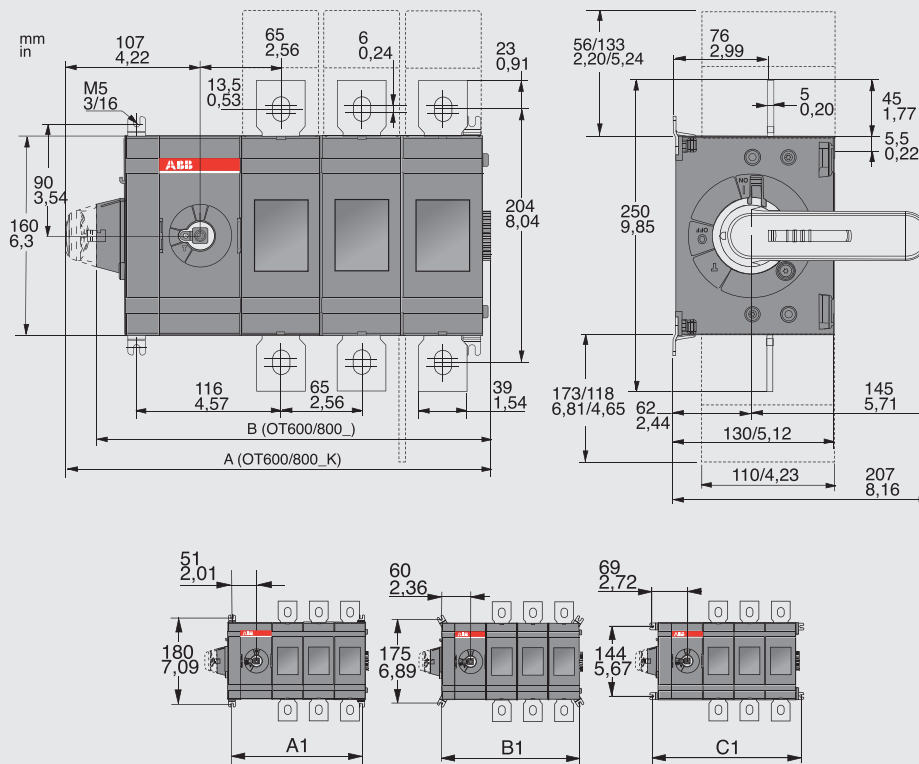
Manual switch-disconnectors OT160...4000

Dimensional drawings

Side operated switch-disconnectors OT160...800, base mounting, IEC

OT630ES_ and OT800ES_

mm/in



OT600/630/800_ OT600/630/800_K

[mm/in]	ES01/US01	ES02/US02	ES03/US03	ES04/US04
A	211/8,31	276/10,87	341/13,43	406/16
B	186/7,33	251/9,89	316/12,45	381/15,01
A1	140/5,51	205/8,08	270/10,64	335/13,2
B1	158/6,22	223/8,79	288/11,34	353/13,91
C1	176/6,93	241/9,49	306/12,06	371/14,62

M00147/OT600-800ES01_04 C

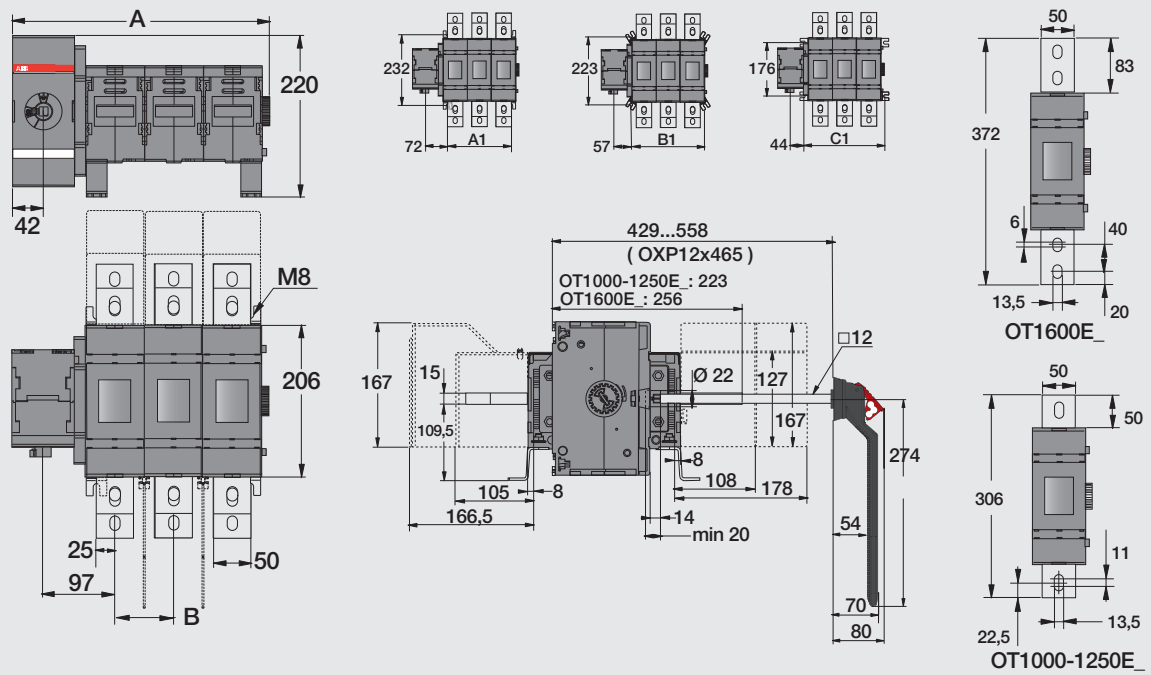
Manual switch-disconnectors OT160...4000

Dimensional drawings

Front operated earthing switches OT1000...2500, bottom mounted, IEC

OT1000...1600EM_

mm/in



OT1000/1250/1600EM_

[mm/in]	01	02	03	04	03W4	04W4	03W8	04W8
A	189,5/7,46	269,5/10,61	349,5/13,76	429,5/16,91	469,5/18,48	609,5/24,00	559,5/22,03	744,5/29,31
B	80/3,15	80/3,15	80/3,15	80/3,15	140/5,51	140/5,51	185/7,28	185/7,28
A1	50/1,97	130/5,12	210/8,27	290/11,42	330/12,99	470/18,50	420/16,54	605/23,82
B1	80/3,15	160/6,30	240/9,45	320/12,60	360/14,17	500/19,69	450/17,72	635/25,00
C1	106/4,17	186/7,32	266/10,47	346/13,62	386/15,20	526/20,71	476/18,74	661/26,02

M07012/M00348/OT1600EM03 B

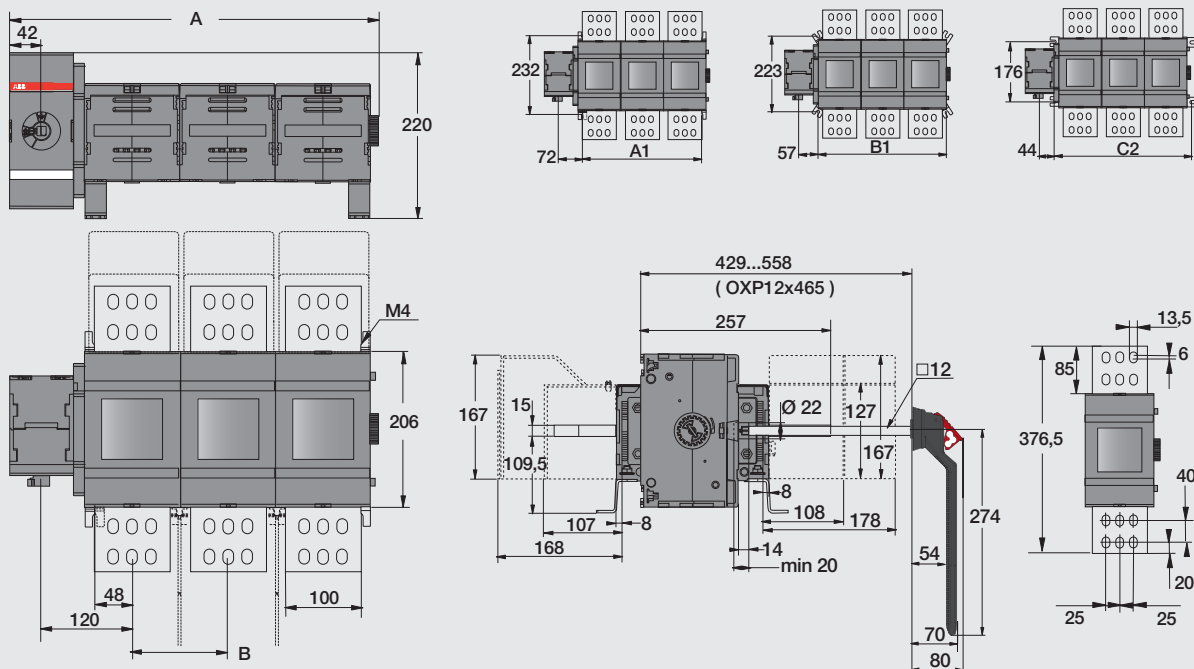
Manual switch-disconnectors OT160...4000

Dimensional drawings

Front operated earthing switches OT1000...2500, with wide phase distance, bottom mounted, IEC

OT2000...2500EM_

mm/in



OT2000/2500EM_

[mm/in]	01	02	03	04	03W4	04W4	03W8	04W8
A	235,5/9,27	361,5/14,23	487,5/19,19	613,5/24,15	515,5/20,30	655,5/25,81	605,5/23,84	790,5/31,12
B		126/4,96	126/4,96	126/4,96	140/5,51	140/5,51	185/7,28	185/7,28
A1	96/3,78	222/8,74	348/13,70	474/18,66	376/14,80	516/20,31	466/18,35	651/25,63
B1	126/4,96	252/9,92	378/14,88	504/19,84	406/15,98	546/21,50	496/19,53	681/26,81
C1	152/5,98	278/10,94	404/15,91	530/20,87	432/17,01	572/22,52	522/20,55	707/27,83

M07013/M00349/OT2500EM03 B

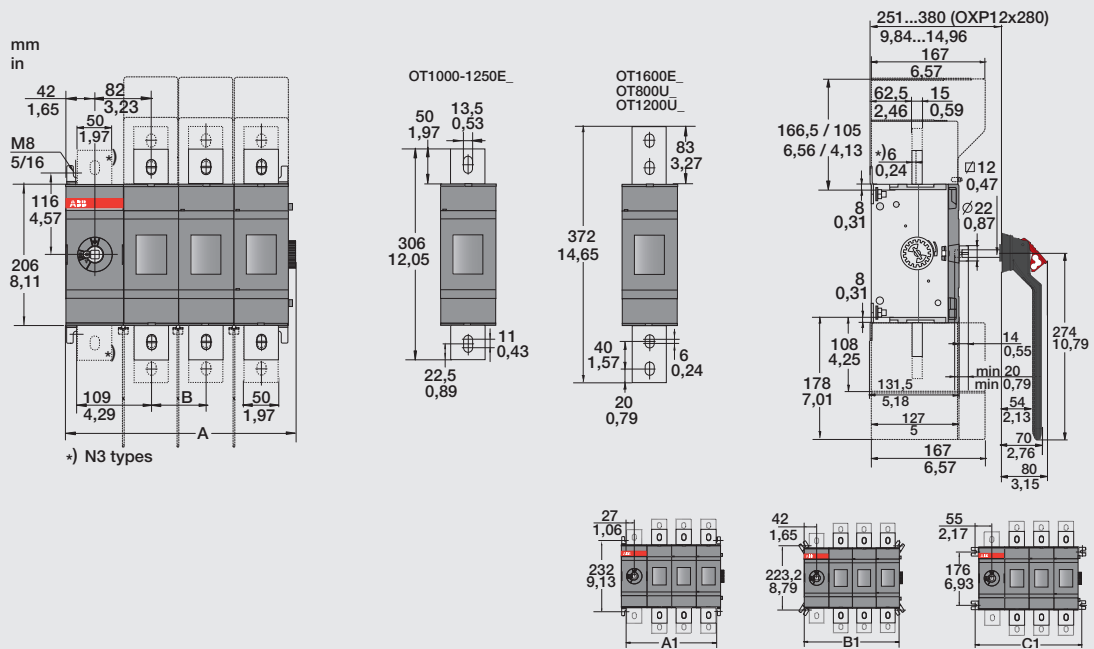
Manual switch-disconnectors OT160...4000

Dimensional drawings

Front operated earthing switches OT1000...2500, base mounted, IEC

OT1000...1600EP_

mm/in



OT1000/1250/1600EP_				
[mm/in]	01	02	03	04
A	174,50/6,87	254,50/10,02	334,50/13,17	
B		80/3,15	80/3,15	
A1	134/5,28	214/8,43	294/11,57	374/14,72
B1	164/6,46	244/9,61	324/12,76	404/15,91
C1	190/7,48	270/10,63	350/13,78	430/16,93

M07010_OT1000_1600EP A

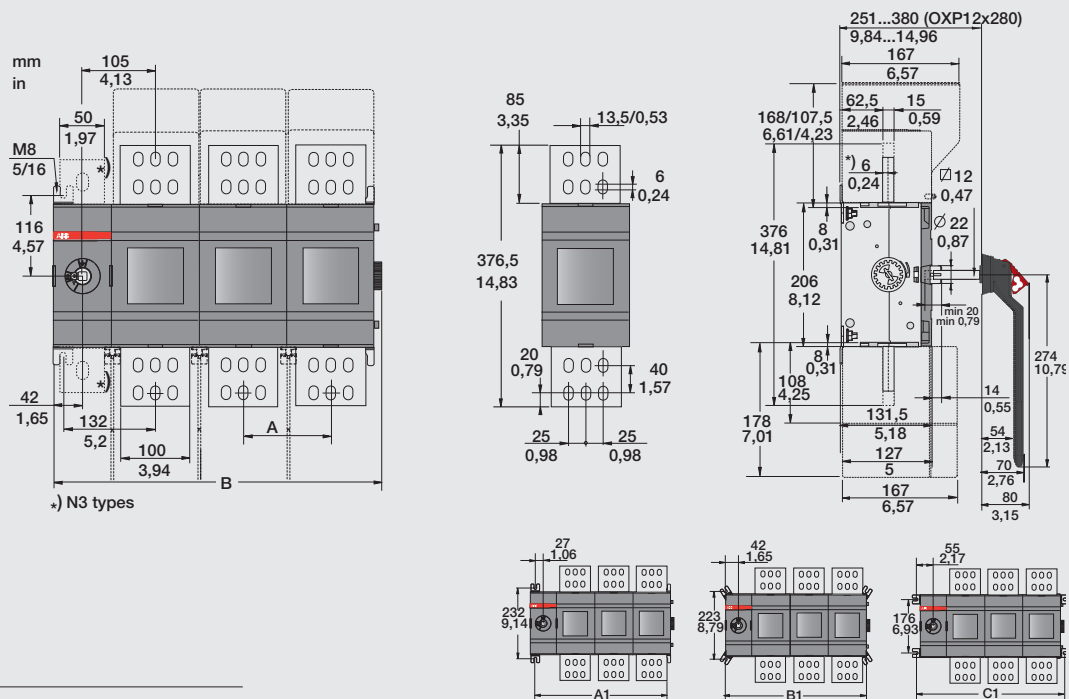
Manual switch-disconnectors OT160...4000

Dimensional drawings

Front operated earthing switches OT1000...2500, base mounted, IEC

OT2000...2500EP_

mm/in



OT2000/2500EP_

[mm/in]	01	02	03	04
A	126/4,96	126/4,96	126/4,96	126/4,96
B	220,5/8,68	346,5/13,64	472,5/18,60	598,5/23,56
A1	180/7,09	306/12,05	432/17,01	558/21,97
B1	210/8,27	336/13,23	462/18,19	588/23,15
C1	236/9,29	362/14,25	488/19,21	614/24,17

M07011_OT2000_2500EP A

Manual switch-disconnectors OT160...4000

Dimensional drawings

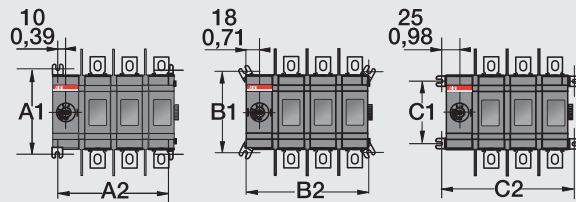
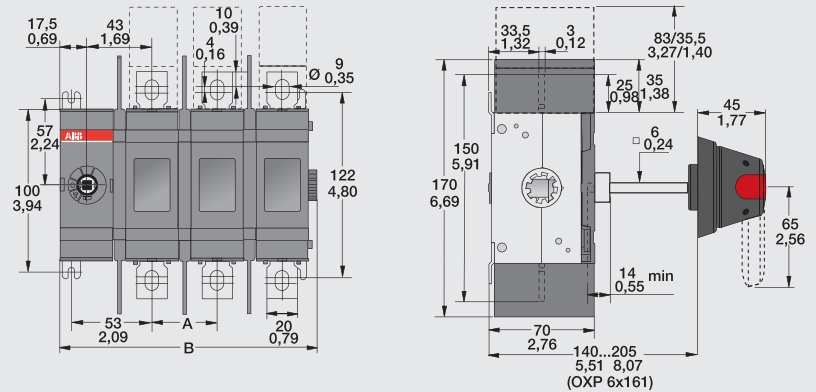
Front operated non-fusible disconnect switches OT200...2000, base mounting, UL/CSA

OT200U_

mm/in

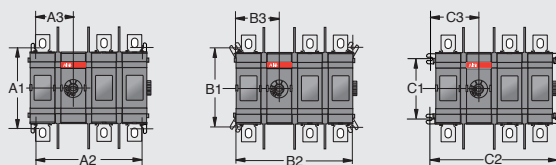
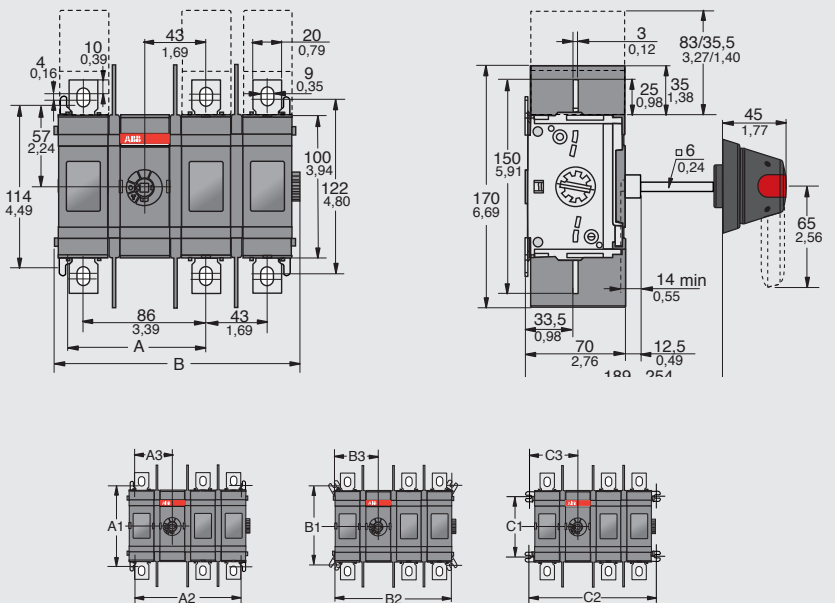
OT200				
[mm/in]	U01	U02	U03	U04
A	-	43/1,69	43/1,69	43/1,69
B	83,5/3,24	126,5/4,98	169,5/6,67	212,5/8,37
A1	114/4,49	114/4,49	114/4,49	114/4,49
A2	63/2,48	106/4,17	149/5,87	192/7,56
B1	109,5/4,31	109,5/4,31	109,5/4,31	109,5/4,31
B2	79/3,11	122/4,80	165/6,50	208/8,19
C1	84/3,31	84/3,31	84/3,31	84/3,31
C2	93/3,66	136/5,35	179/7,05	222/8,74

M00009/OT200U01_04 E



OT200				
[mm/in]	U11	U12	U13	U22
A	96/3,78	96/3,78	96/3,78	139/5,47
B	131,5/5,18	174,5/6,87	217,5/8,56	217,5/8,56
A1	114/4,49	114/4,49	114/4,49	114/4,49
A2	106/4,17	149/5,87	192/7,56	192/7,56
A3	53/2,09	53/2,09	53/2,09	96/3,78
B1	109,5/4,31	109,5/4,31	109,5/4,31	109,5/4,31
B2	122/4,80	165/6,50	208/8,19	208/8,19
B3	61/2,40	61/2,40	61/2,40	104/4,09
C1	84/3,31	84/3,31	84/3,31	84/3,31
C2	136/5,35	179/7,05	222/8,74	222/8,74
C3	68/2,68	68/2,68	68/2,68	111/4,37

M00016/OT200U11_22 F



Manual switch-disconnectors OT160...4000

Dimensional drawings

Front operated non-fusible disconnect switches OT200...2000, base mounting, UL/CSA

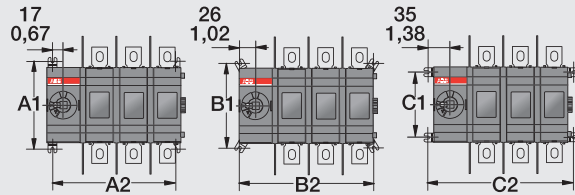
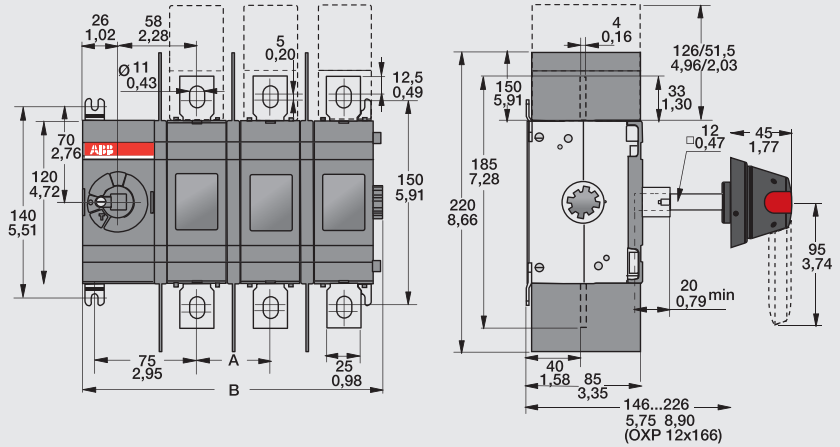
OT400U_

mm/in

3

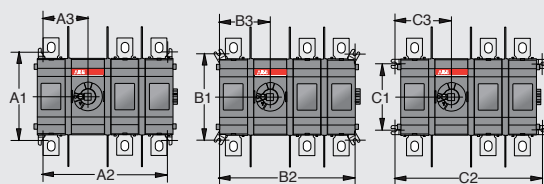
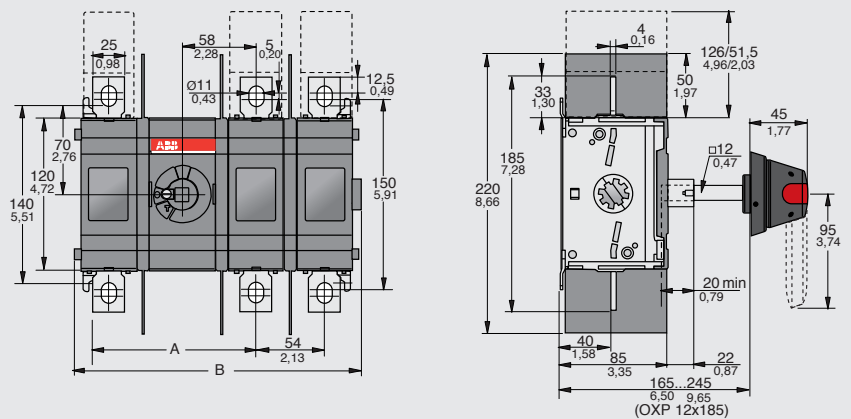
OT400				
[mm/in]	U01	U02	U03	U04
A	-	54/2,13	54/2,13	54/2,13
B	113/4,45	167/6,58	221/8,70	275/10,83
A1	140/5,51	140/5,51	140/5,51	140/5,51
A2	88/3,47	142/5,59	196/7,72	250/9,84
B1	135/5,32	135/5,32	135/5,32	135/5,32
B2	106/4,17	160/4,17	214/8,43	268/10,55
C1	104/4,09	104/4,09	104/4,09	104/4,09
C2	124/4,88	178/7,01	232/9,13	286/11,27

M00019/OT400U01_04 E



OT400				
[mm/in]	U11	U12	U13	U22
A	129/5,08	129/5,08	129/5,08	183/7,21
B	172/6,77	226/8,90	280/11,02	280/11,02
A1	140/5,51	140/5,51	140/5,51	140/5,51
A2	142/5,59	196/7,72	250/9,84	250/9,84
A3	71/2,80	71/2,80	71/2,80	125/4,92
B1	135/5,32	135/5,32	135/5,32	135/5,32
B2	160/6,30	214/8,43	268/10,55	268/10,55
B3	80/3,15	80/3,15	80/3,15	134/5,28
C1	104/4,09	104/4,09	104/4,09	104/4,09
C2	178/7,01	232/9,13	286/11,26	286/11,27
C3	89/3,50	89/3,50	89/3,50	143/5,63

M00020/OT400U11_22 F



Manual switch-disconnectors OT160...4000

Dimensional drawings

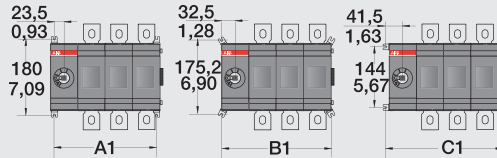
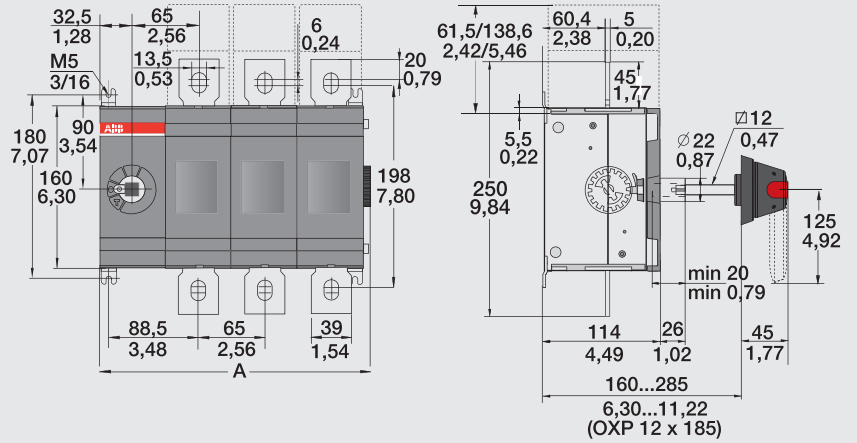
Front operated non-fusible disconnect switches OT200...2000, base mounting, UL/CSA

OT600U_

mm/in

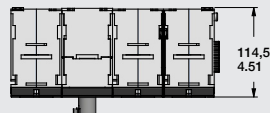
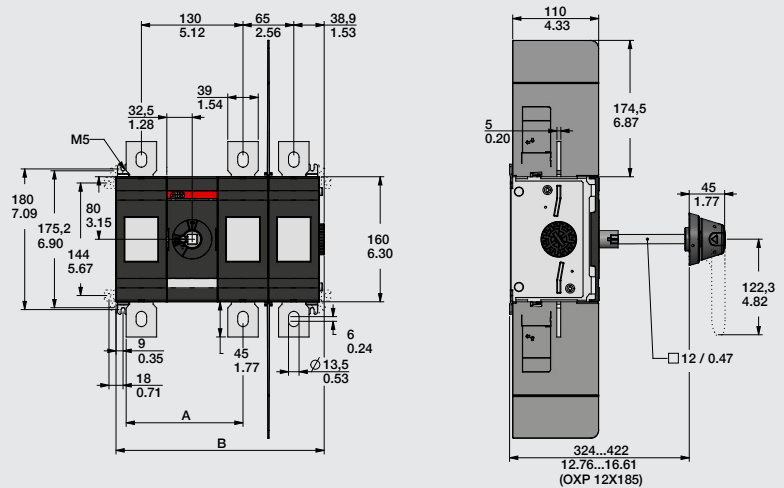
OT600	U01	U02	U03	U04
A	136/5,35	201/7,91	266/10,47	331/13,03
A1	112/4,41	177/6,97	242/9,53	307/12,09
B1	130/5,12	195/7,68	260/10,24	325/12,80
C1	148/5,83	213/8,39	278/10,95	343/13,50

C00013_/13OT630_800_01_04 B



OT600	U11	U12	U13	U22
A	156,3/6.15	156,3/6.15	156,3/6.15	221,3/8.71
B	201,4/7.93	266,4/10.49	331,4/13.05	331,4/13.05

M00527/OT600U_A



Manual switch-disconnectors OT160...4000

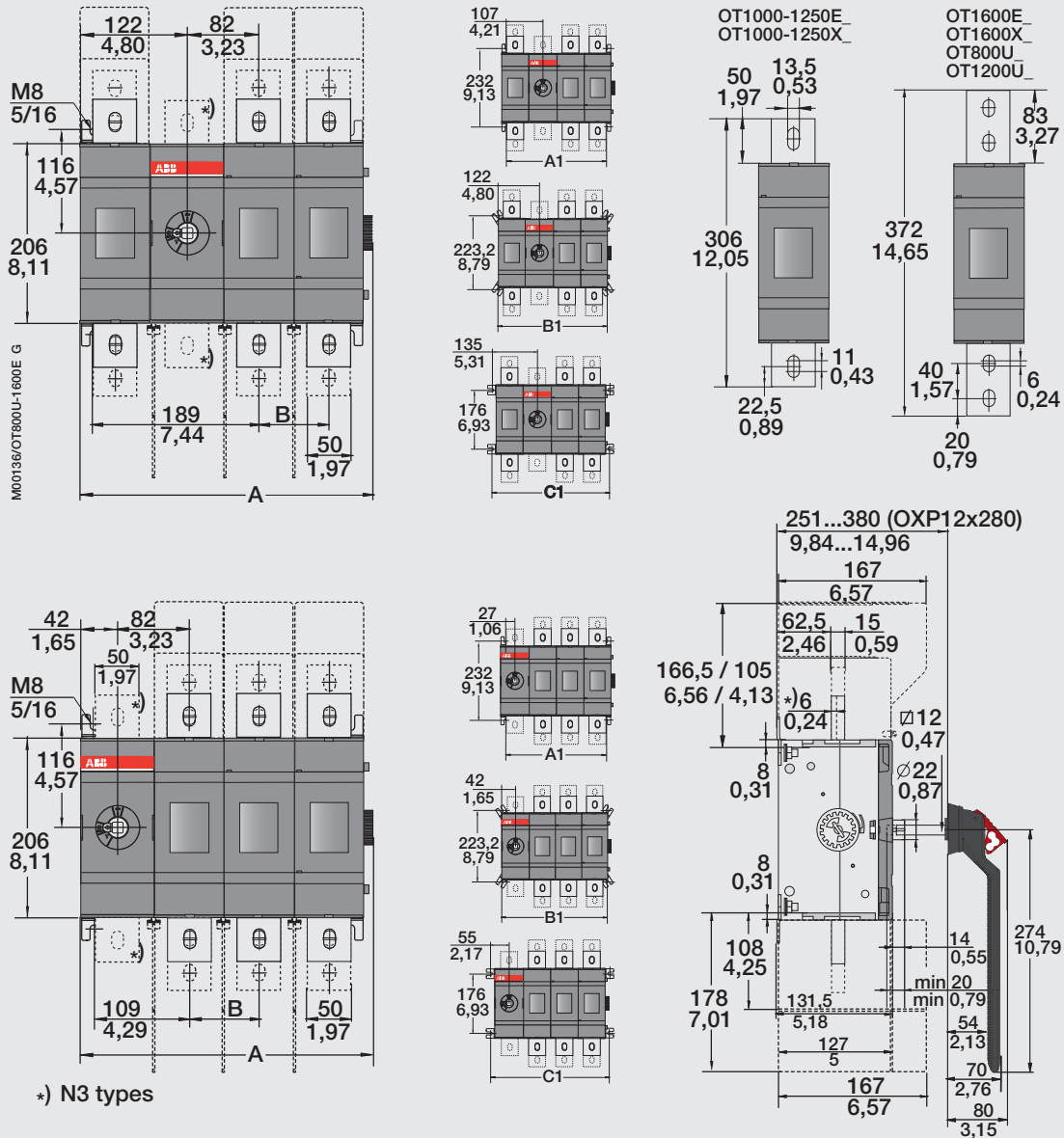
Dimensional drawings

Front operated non-fusible disconnect switches OT200...2000, base mounting, UL/CSA

OT800U_P and OT1200U_P

mm/in

3



OT800/1200 U_P

[mm/in]	01	02	03	04	11	12	13	22
A	174,50/6,87	254,50/10,02	334,50/13,17	414,50/16,32	254,50/10,02	334,50/13,17	414,50/16,32	414,50/16,32
B		80/3,15	80/3,15	80/3,15		80/3,15	80/3,15	80/3,15
A1	134/5,28	214/8,43	294/11,57	374/14,72	214/8,43	294/11,57	374/14,72	374/14,72
B1	164/6,46	244/9,61	324/12,76	404/15,91	244/9,61	324/12,76	404/15,91	404/15,91
C1	190/7,48	270/10,63	350/13,78	430/16,93	270/10,63	350/13,78	430/16,93	430/16,93

M00135/OT800U-1600E G

Manual switch-disconnectors OT160...4000

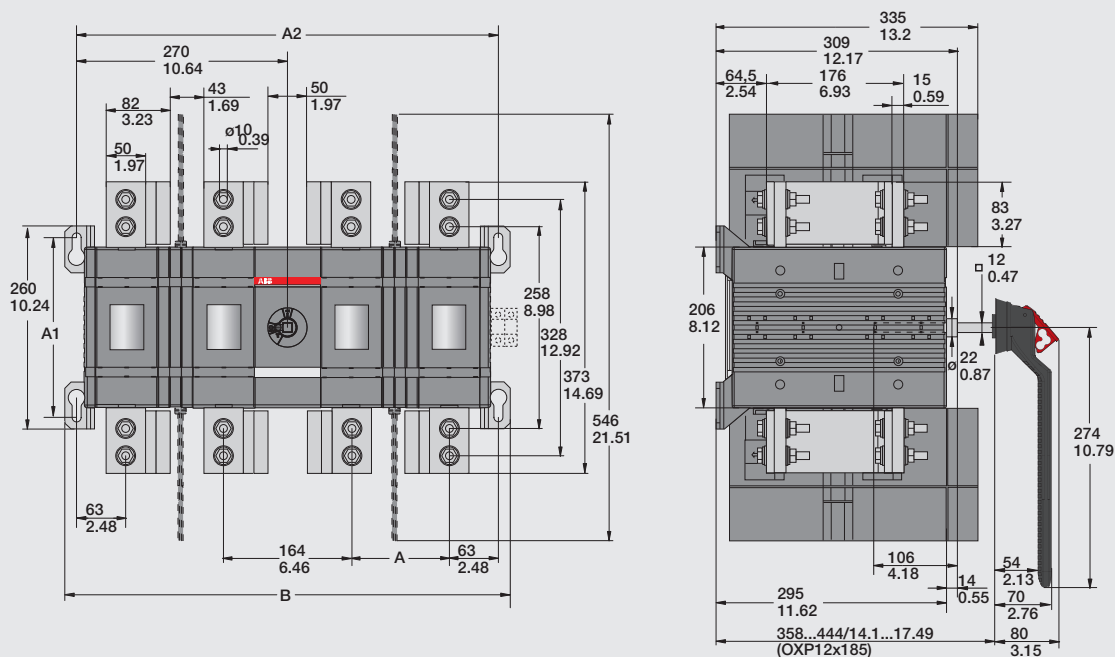
Dimensional drawings

Front operated non-fusible disconnect switches OT200...2000, base mounting, UL/CSA

OT1600...2000U

Mechanism between the poles

mm/in



OT 1600-2000U_			
[mm/in]	12	13	22
A	125/4.92	125/4.92	125/4.92
A1	230/9.06	230/9.06	230/9.06
A2	415/16.35	540/21.27	540/21.27
B	445/17.53	570/22.46	570/22.46

M00496/OT2000U12-22 A

Manual switch-disconnectors OT160...4000

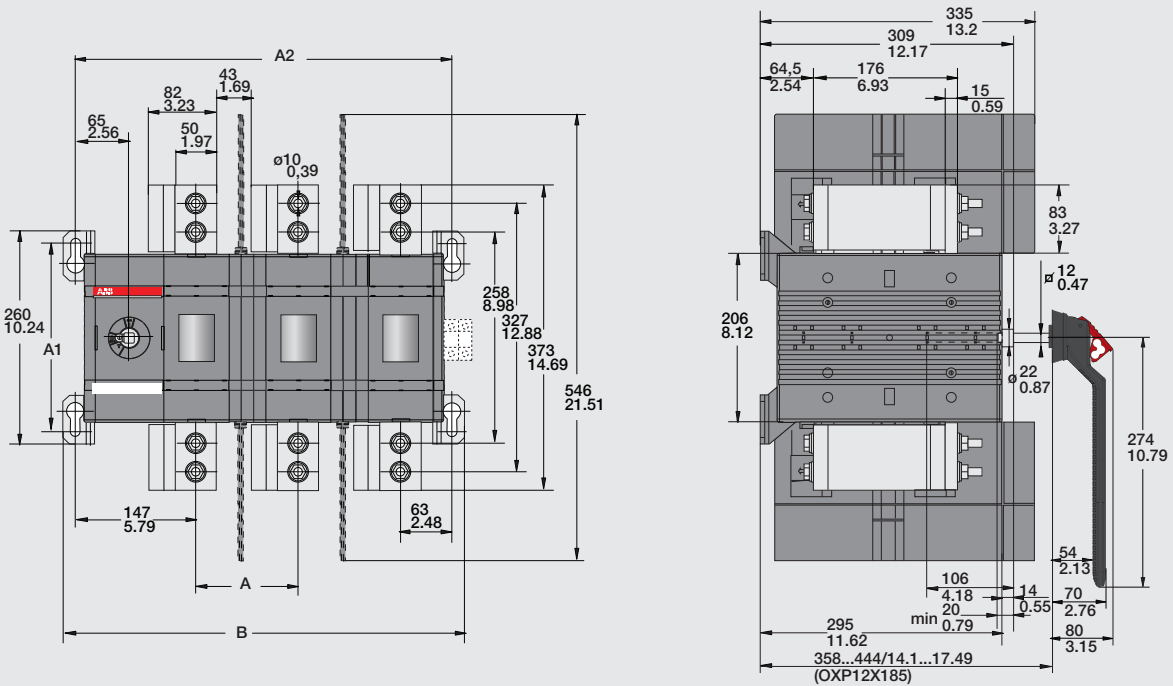
Dimensional drawings

Front operated non-fusible disconnect switches OT200...2000, base mounting, UL/CSA

OT1600...2000U

Mechanism at the end of the switch

mm/in



OT 1600-2000U

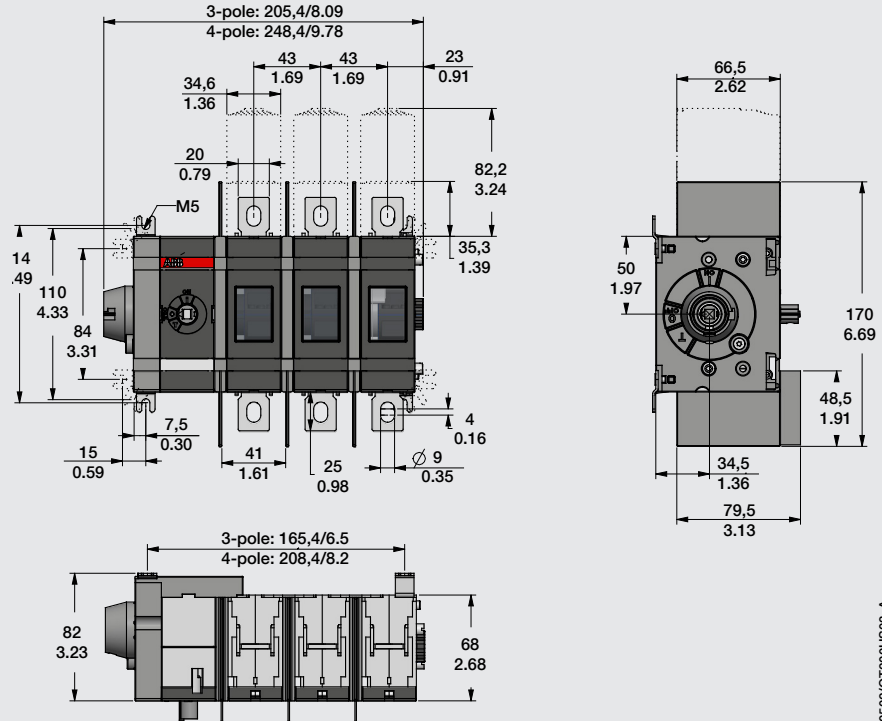
[mm/in]	02	03	04
A	125/4.92	125/4.92	125/4.92
A1	230/9.06	230/9.06	230/9.06
A2	335/13.2	460/18.12	585/23.05
B	365/14.38	490/19.3	615/24.23

Manual switch-disconnectors OT160...4000

Dimensional drawings

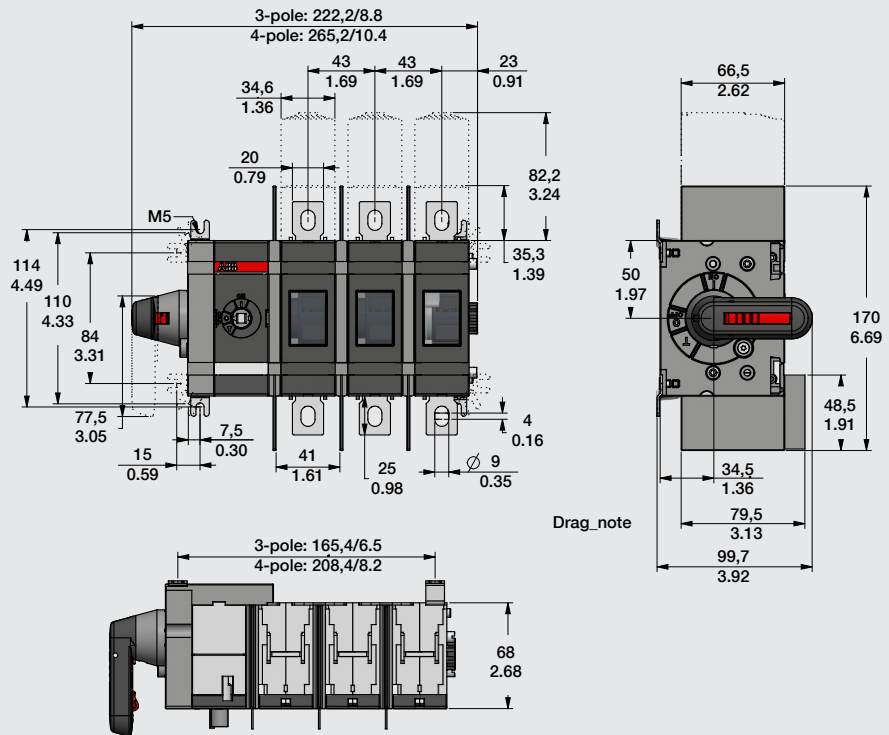
OT200US

Without handle
mm/in



OT200US

With direct mount handle
mm/in

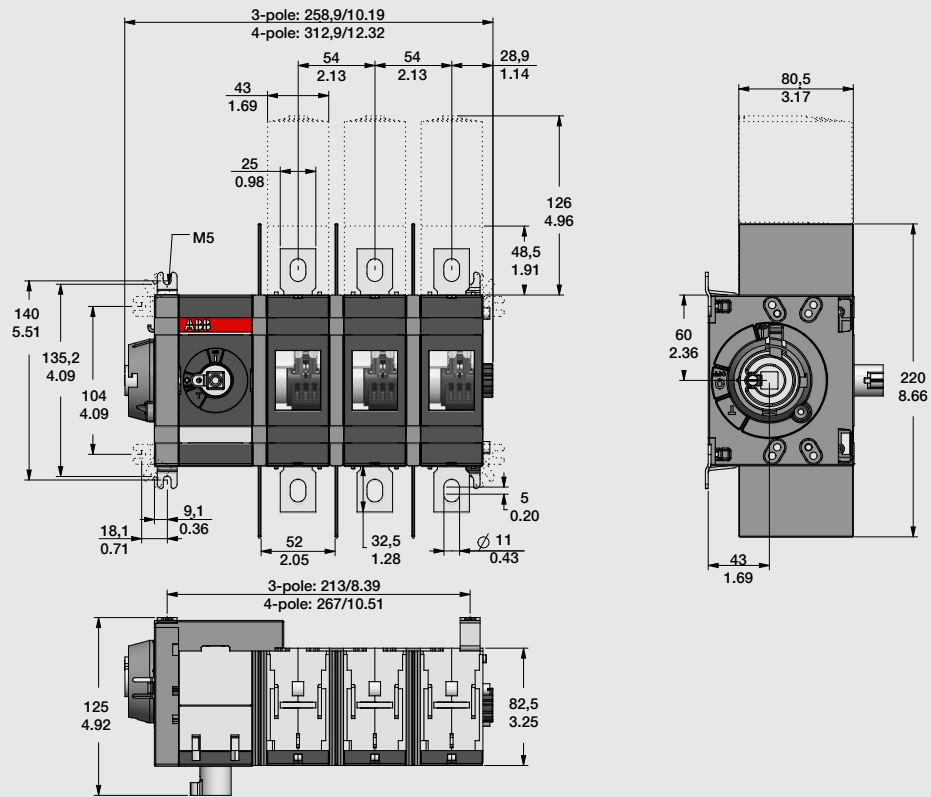


Manual switch-disconnectors OT160...4000

Dimensional drawings

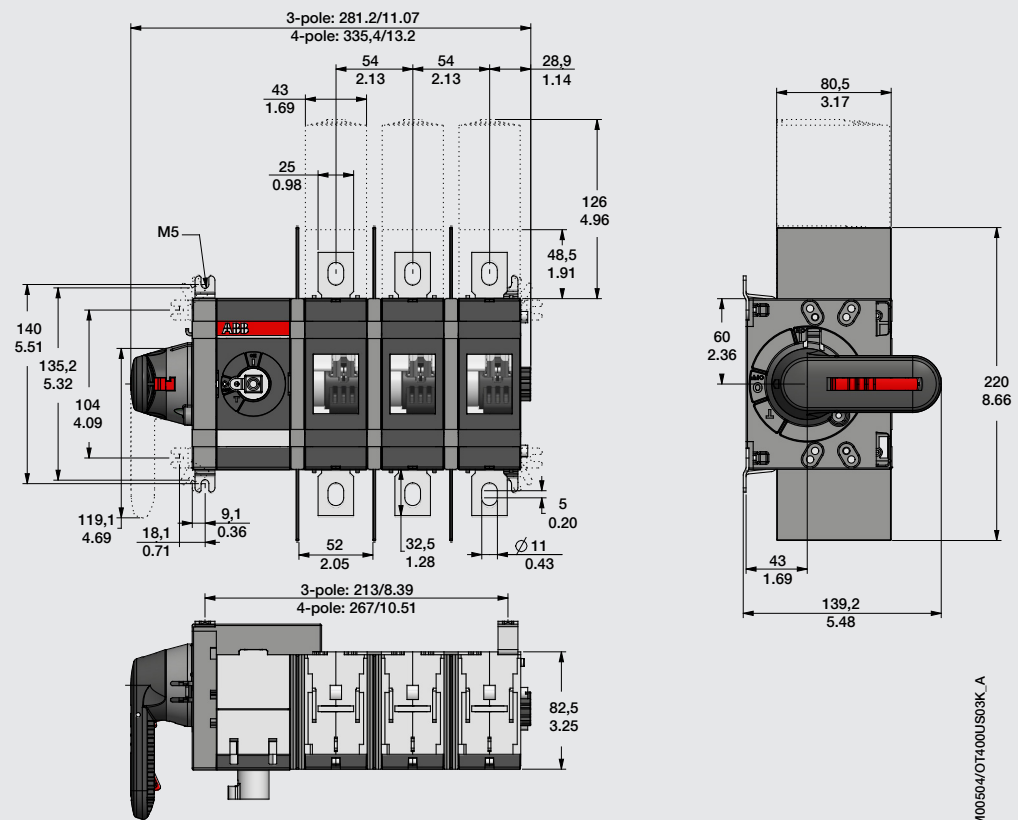
3

OT400US
Without handle
mm/in



M00505/OT400US03_A

OT400US
With direct mount handle
mm/in



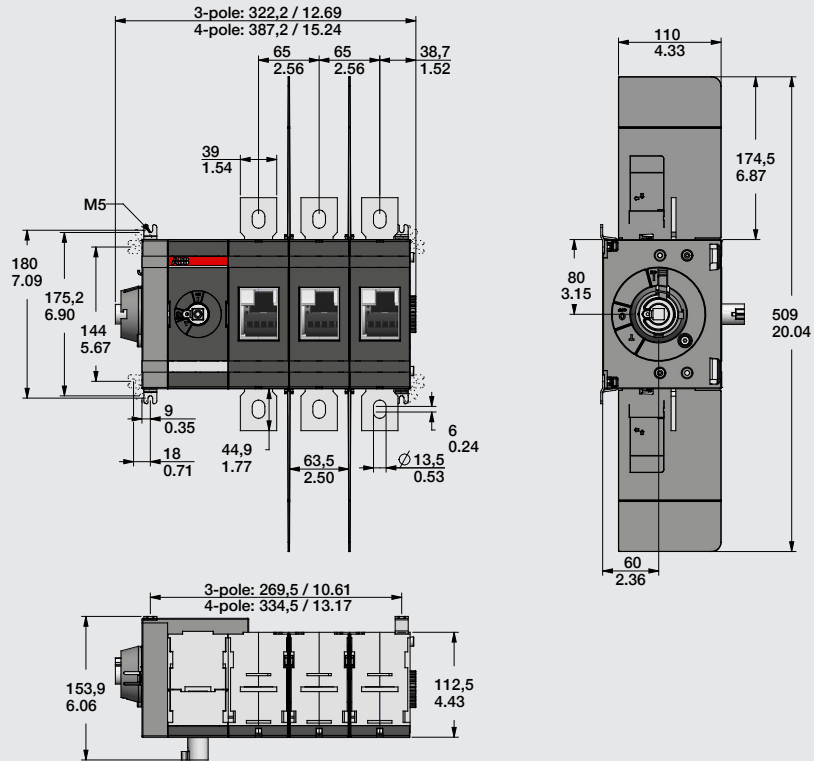
M00504/OT400US03K_A

Manual switch-disconnectors OT160...4000

Dimensional drawings

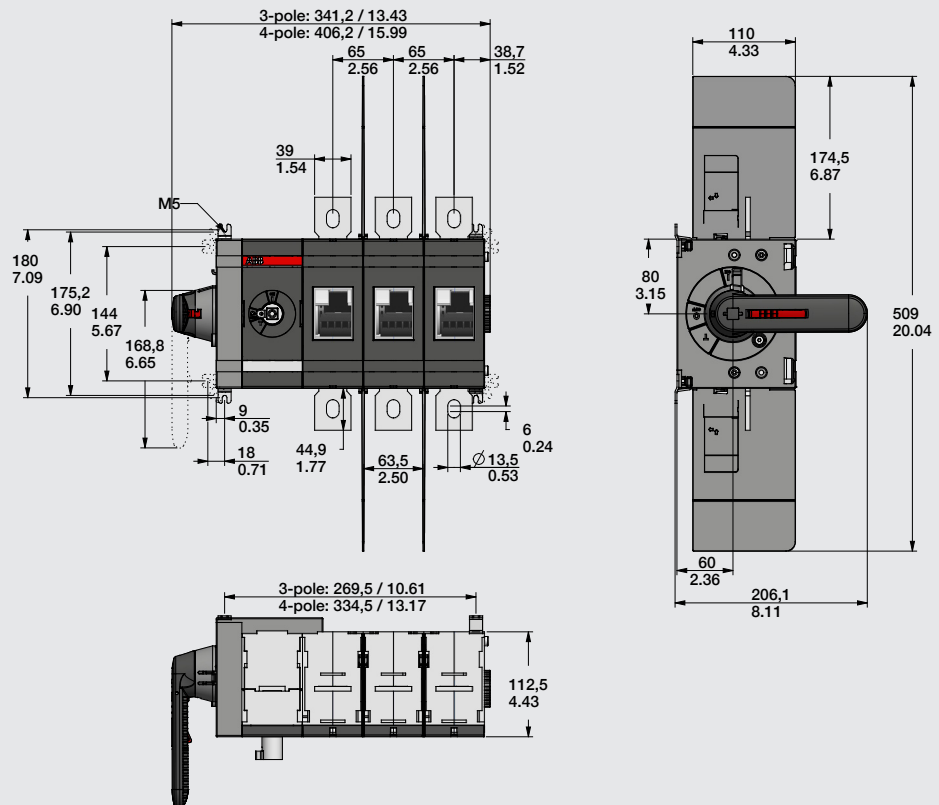
OT600US

Without handle
mm/in



OT600US

With direct mount handle
mm/in





Accessories for manual switch-disconnectors OT160...4000

Ordering information for handles



OHY_



OHB_



OHG125J12

Pistol handles for base and DIN-rail mounted switches

IP65, NEMA 1, 3R, 12, padlockable with three padlocks in OFF-position, door interlock in ON-position. Screw fixing from the back side of the handle. No screws on the front ensures double insulation.

Suitable for switches	Colour	Handle length [mm]	Indication	Type	Order number	Weight/unit [kg]
Suitable for shaft diameter 6 mm						
OT160EV...250E, OT200U	Black	65	I-O, ON-OFF	OHB65J6	1SCA022380R9660	0.12
	Red-yellow	65	I-O, ON-OFF	OHY65J6	1SCA022380R9820	0.12
	Grey	65	I-O	OHG65J6	1SCA022380R9740	0.12
	Black	80	I-O, ON-OFF	OHB80J6	1SCA022381R0240	0.14
	Red-yellow	80	I-O, ON-OFF	OHY80J6	1SCA022381R0410	0.14
	Grey	80	I-O	OHG80J6	1SCA022381R0320	0.14
	Black	65	Test-OFF-ON/Test-0-I	OHB65J6T	1SCA022399R8110	0.12
	Red-yellow	65	Test-OFF-ON/Test-0-I	OHY65J6T	1SCA022456R9540	0.12
Suitable for shaft diameter 12 mm						
OT315...400E, OT400U	Black	95	I-O, ON-OFF	OHB95J12	1SCA022381R0830	0.16
	Red-yellow	95	I-O, ON-OFF	OHY95J12	1SCA022381R1050	0.16
	Grey	95	I-O	OHG95J12	1SCA022381R0910	0.16
	Black	95	Test-OFF-ON/Test-0-I	OHB95J12T	1SCA022736R1750	0.16
	Red-yellow	95	Test-OFF-ON/Test-0-I	OHY95J12T	1SCA022736R1910	0.16
OT630...800E, OT600U	Black	125	I-O, ON-OFF	OHB125J12	1SCA022381R1560	0.17
	Red-yellow	125	I-O, ON-OFF	OHY125J12	1SCA022381R1720	0.17
	Grey	125	I-O	OHG125J12	1SCA022381R1640	0.17
	Black	145	I-O, ON-OFF	OHB145J12	1SCA022381R2110	0.17
	Red-yellow	145	I-O, ON-OFF	OHY145J12	1SCA022381R2370	0.17
	Grey	145	I-O	OHG145J12	1SCA132709R1001	0.17
	Black	125	Test-OFF-ON/Test-0-I	OHB125J12T	1SCA022652R2220	0.17

- Door interlocking in ON-position means that the door can not be opened, when the handle is in ON-position. The door interlocking can be defeated in IP65 types to allow authorized personnel access for inspection. The door is interlocked when the non-defeatable handle is padlocked.
- Consult us for NEMA4/4X versions.

Accessories for manual switch-disconnectors OT160...4000

Ordering information for handles



OHB150/200J12P



OHB274/330J12



OHY200J12P



OHY175J12

Pistol handles

Padlockable with three padlocks in OFF-position, door interlock in ON-position. Screw fixing from the back side of the handle. No screws on the front ensures double insulation.

Suitable for switches	Colour	Handle length [mm]	Indication	Type	Order number	Weight/unit [kg]
Suitable for shaft diameter 12 mm						
IP65, NEMA 1, 3R, 12, double grip						
OT1000...2500E, OT800...1200U	Black	2x150	I-0, ON-OFF	OHB150J12P	1SCA022865R9430	0.17
	Red-yellow	2x150	I-0, ON-OFF	OHY150J12P	1SCA101586R1001	0.17
OT1000...4000E, OT800...2000U	Black	2x200	I-0, ON-OFF	OHB200J12P	1SCA022865R9510	0.40
	Red-yellow	2x200	I-0, ON-OFF	OHY200J12P	1SCA101587R1001	0.40
	Black	2x200	Test-OFF-ON/Test-0-I	OHB200J12PT	1SCA106510R1001	0.40
	Red-yellow	2x200	Test-OFF-ON/Test-0-I	OHY200J12PT	1SCA111512R1001	0.04
	NEMA 4X, double grip					
OT1000...2500E, OT800...1200U	Black	2x200	I-0, ON-OFF	OHB200L12P	1SCA111564R1001	0.40
	Red-yellow	2x200	I-0, ON-OFF	OHY200L12P	1SCA111569R1001	0.40
P65, NEMA 1, 3R, 12						
OT1000...4000E, OT800...2000U	Black	274	I-0, ON-OFF	OHB274J12	1SCA115920R1001	0.54
	Red-yellow	274	I-0, ON-OFF	OHY274J12	1SCA115919R1001	0.54
	Black	330	I-0, ON-OFF	OHB330J12	1SCA115922R1001	0.58
	Red-yellow	330	I-0, ON-OFF	OHY330J12	1SCA115921R1001	0.58
	Black	274	Test-OFF-ON/Test-0-I	OHB274J12T	1SCA120250R1001	0.54
	Black	330	Test-OFF-ON/Test-0-I	OHB330J12T	1SCA120252R1001	0.58

- Door interlocking in ON-position means that the door can not be opened, when the handle is in ON-position. The door interlocking can be defeated in IP65 types to allow authorized personnel access for inspection. The door is interlocked when the non-defeatable handle is padlocked.
- NEMA 4, 4x pistol handles available on request.
- Handles padlockable in ON and OFF positions available on request.



OHM65L6



OHM200L12P

Stainless steel pistol handles

IP66 (NEMA 4X). Material: AISI 316. Padlockable with 3 padlocks in the OFF-position, door interlock in the ON-position.

Colour	Handle length [mm]	Indication	Type	Order number	Weight/unit [kg]
Suitable for shaft diameter 6 mm					
Grey	65	I-0/ON-OFF	OHM65L6	1SCA022739R1070	0.73
Suitable for shaft diameter 12 mm					
Grey	125	I-0/ON-OFF	OHM125L12	1SCA022739R1150	0.76
Grey	175	I-0/ON-OFF	OHM175L12	1SCA022739R1230	0.83
Grey	275	I-0/ON-OFF	OHM275L12	1SCA022832R4840	0.96
Grey	2x200	I-0/ON-OFF	OHM200L12P	1SCA104439R1001	2.00

- Door interlocking in ON-position means that the door can not be opened, when the handle is in ON-position. The door interlocking can be defeated in IP65 types to allow authorized personnel access for inspection. The door is interlocked when the non-defeatable handle is padlocked.

Accessories for manual switch-disconnectors OT160...4000

Ordering information for handles



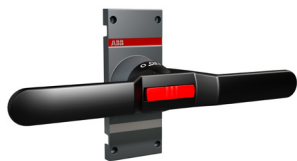
OTV400EK



OTV1000EK



OTVY400EK



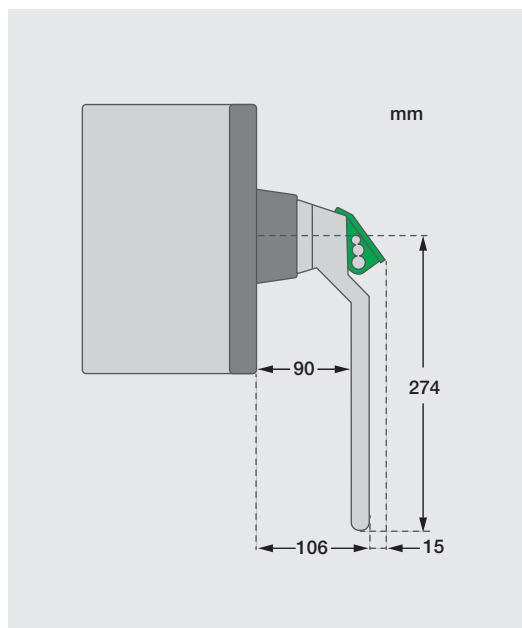
OTV1000EPK

Direct mount handles

Includes a shaft and a mechanism cover. Indication Test-OFF-ON/Test-O-I. Padlockable with three padlocks in OFF-position.

Suitable for switches	Colour	Handle length [mm]	Type	Order number	Weight/unit [kg]
OT160EV...250E, OT200U	Black	65	OTV250EK	1SCA022763R2700	0.10
	Red-yellow	65	OTVY250EK	1SCA022772R7910	0.10
OT315...400E, OT400U	Black	95	OTV400EK	1SCA022763R2960	0.20
	Red-yellow	95	OTVY400EK	1SCA022772R7830	0.20
OT630...800E, OT600U	Black	145	OTV800EK	1SCA022804R6340	0.30
	Red-yellow	145	OTVY800EK	1SCA022810R2780	0.30
OT1000...2500, OT800...2000U	Black	274	OTV1000EK	1SCA106608R1001	0.75
OT1000...2500, OT800...2000U	Black	2x200	OTV1000EPK	1SCA121085R1001	0.90
	Black	274	OTV3200EK	1SCA144572R1001	0.75

OTV1000EK dimensions



Accessories for manual switch-disconnectors OT160...4000

Dimensional drawings for handles



OHB65J6E00S

3



OHY65J6E00S

Handles for side operated switch-disconnectors

IP65, Nema type 1, 3R, 12. Plastic handles. For mounting on the side of the enclosure. Padlockable with three padlocks in the OFF-position, door interlock in the ON-position when the handle is mounted on the door. The position indications are rotated 90°.

Colour	Handle length [mm]	Indication	Type	Order number	Weight/unit [kg]
Suitable for shaft diameter 6 mm					
Black	65	I-O/ON-OFF	OHB65J6E00S	1SCA022382R9850	0.12
Red-yellow	65	I-O/ON-OFF	OHY65J6E00S	1SCA022382R9930	0.12
Grey	65	I-O	OHG65J6E00S	1SCA022383R4510	0.12
Black	65	Test/I-O/ON-OFF	OHB65J6TE00S	1SCA109016R1001	0.12
Red-yellow	65	Test/I-O/ON-OFF	OHY65J6TE00S	1SCA022688R0140	0.12
Grey	65	Test/I-O	OHG65J6TE00S	1SCA109014R1001	0.12
Suitable for shaft diameter 12 mm					
Black	145	I-O/ON-OFF	OHB145J12E00S	1SCA022679R9700	0.17

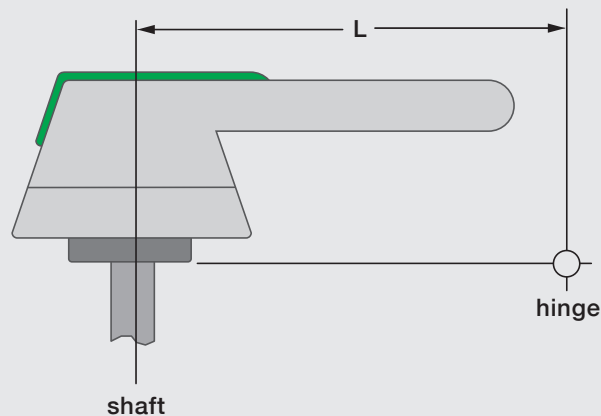
- Door interlocking in ON-position means that the door on which the handle is mounted can not be opened, when the handle is in ON-position. The door interlocking can be defeated to allow authorized personnel access for inspection. The door is interlocked when the non-defeatable handle is padlocked.

Accessories for manual switch-disconnectors OT160...4000

Dimensional drawings for pistol handles

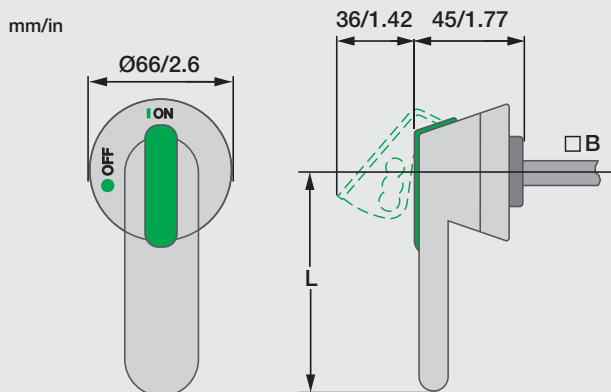
Minimum distance L between the hinge and the rotating shaft

Sizes [A]	Length L [mm]	Length L [in]	Handle type
OT160...250_P	80	2,36	OH_65J
OT315...400_P	95	3,74	OH_95J
OT630...800_P	150	5,91	OH_125J
OT1000...4000_P	274	10,79	OH_274J
OT1000...4000_P	330	12,99	OH_330J

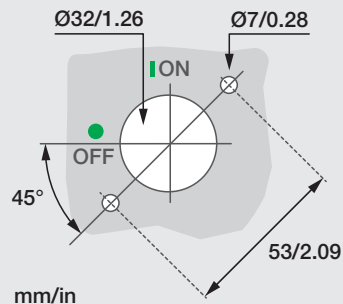


Plastic handles, type OH

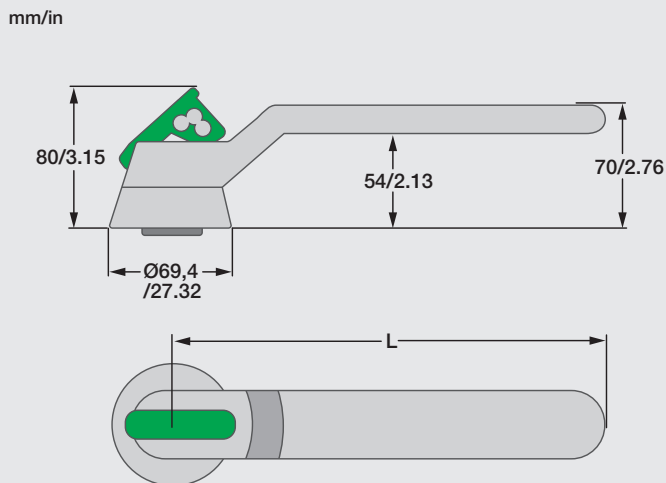
Handle type	Shaft diameter B	Length L [mm]	Length L [in]
OH_65J6	6	65	2,56
OH_80J6	6	80	3,15
OH_95J12	12	95	3,74
OH_125J12	12	125	4,92
OH_145J12	12	145	5,71
OH_175J12	12	175	6,89
OH_275J12	12	275	10,83



Door drilling for OH_ handles:



Handle type	Length L [mm]	Length L [in]
OH_274J12	274	10,79
OH_330J12	330	12,99



Accessories for manual switch-disconnectors OT160...4000

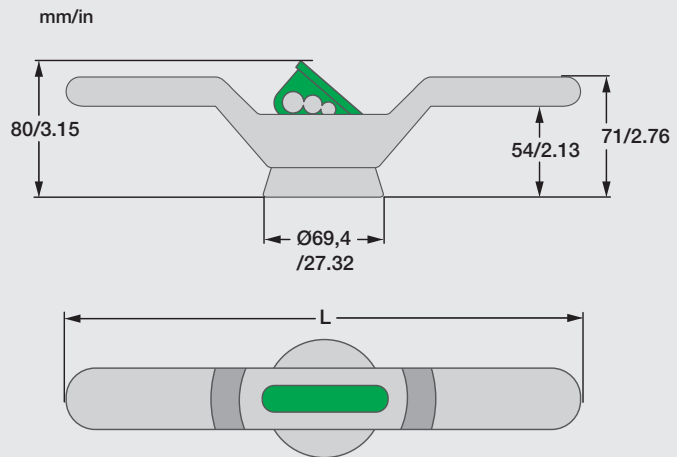
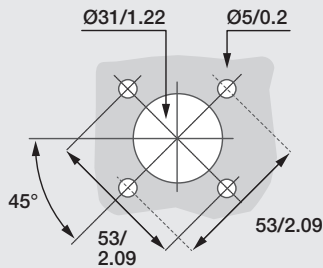
Dimensional drawings for pistol handles

3

Plastic handles, type OHB

Handle type	Length L [mm]	Length L [in]
OHB150J12P	300	11,81
OHB200J12P	400	15,75

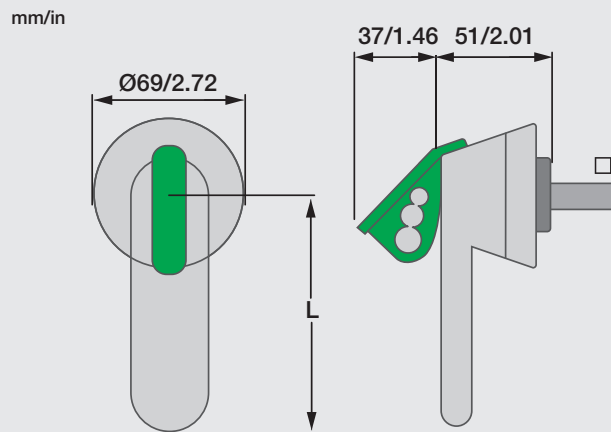
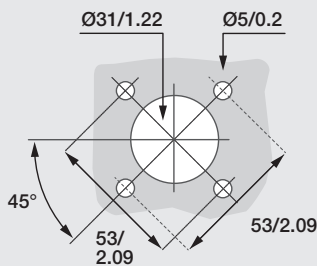
Door drilling for OHB_ handles:



Stainless steel handles

Handle type [mm]	Shaft diameter B	Length L [mm]	Length L [in]
OHM65L6	6	65	2,56
OHM125L12	12	125	4,92
OHM175L12	12	175	6,89
OHM275L12	12	275	10,83

Door drilling for OHM_ handles:

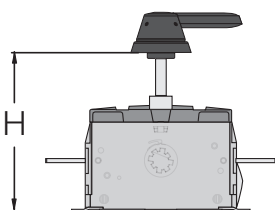


Accessories for manual switch-disconnectors OT160...4000

Ordering information for shafts



OXF6X_



OXF_X_

Shafts for pistol handles

For switches	Shaft length [mm]	Mounting depth H [mm]	Type	Order number	Weight/unit [kg]
Shaft diameter 6 mm					
OT160EV...250E, OT200U ¹⁾	130	109...174	OXF6X130	1SCA022057R0570	0.04
	150	129...194	OXF6X150	1SCA022295R5600	0.05
	161	140...205	OXF6X161	1SCA022067R1760	0.05
	210	189...254	OXF6X210	1SCA022295R6080	0.06
	290	269...334	OXF6X290	1SCA022042R6370	0.08
Shaft diameter 12 mm					
OT315...400E, OT400U	166	146...226	OXF12X166	1SCA022325R7100	0.20
	185	165...245	OXF12X185	1SCA022325R6710	0.20
	250	230...310	OXF12X250	1SCA022325R6980	0.28
	280	260...340	OXF12X280	1SCA022137R5140	0.30
	325	305...385	OXF12X325	1SCA022042R5810	0.36
	395	375...455	OXF12X395	1SCA022042R5990	0.43
	465	445...525	OXF12X465	1SCA022042R6020	0.51
	535	515...595	OXF12X535	1SCA022042R6110	0.59
Shaft diameter 12 mm					
OT630...800E, OT600U	185	165...245	OXF12X185	1SCA022325R6710	0.20
	250	230...345	OXF12X250	1SCA022325R6980	0.28
	280	260...375	OXF12X280	1SCA022137R5140	0.30
	325	305...420	OXF12X325	1SCA022042R5810	0.36
	395	375...490	OXF12X395	1SCA022042R5990	0.43
	465	445...560	OXF12X465	1SCA022042R6020	0.51
	535	515...630	OXF12X535	1SCA022042R6110	0.59
Shaft diameter 12 mm					
OT1000...2500E, OT800...1200U ¹⁾	250	221...350	OXF12X250	1SCA022325R6980	0.28
	280	251...380	OXF12X280	1SCA022137R5140	0.30
	325	296...425	OXF12X325	1SCA022042R5810	0.36
	395	366...495	OXF12X395	1SCA022042R5990	0.43
	465	436...565	OXF12X465	1SCA022042R6020	0.51
	535	506...635	OXF12X535	1SCA022042R6110	0.59
Shaft diameter 12 mm					
OT3200...4000E, OT1600...200U	280	251...380	OXF12X280	1SCA022137R5140	0.30
	325	296...425	OXF12X325	1SCA022042R5810	0.36
	395	366...495	OXF12X395	1SCA022042R5990	0.43
	465	436...565	OXF12X465	1SCA022042R6020	0.51
	535	506...635	OXF12X535	1SCA022042R6110	0.59

¹⁾ Longer shafts on request

¹⁾ Wide versions OT1000-2500W_: with shafts over 280 mm, shaft tube OXF20X210X must be used, see page 129.

Accessories for manual switch-disconnectors OT160...4000

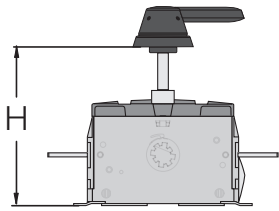
Ordering information for shafts



OXP6X_-45



OXP12X_-45



OXP_X_

Twisted shafts for pistol handles

Twisted shafts for pistol handles. Shaft is rotated 45 degrees.

For switches	Shaft length [mm]	Mounting depth H [mm]	Type	Order number	Weight/unit [kg]
Shaft diameter 6 mm					
OT160EV...250E, OT200U	130	109...174	OXP6X130-45	1SCA022355R9110	0.04
	150	129...194	OXP6X150-45	1SCA022294R4400	0.05
	210	189...254	OXP6X210-45	1SCA022294R4230	0.06
	290	269...334	OXP6X290-45	1SCA022304R4290	0.08
Shaft diameter 12 mm					
OT315...800E, OT400...600U	250	230...310	OXP12X250-45	1SCA022293R9400	0.28
	280	260...340	OXP12X280-45	1SCA022382R0800	0.30
	325	305...385	OXP12X325-45	1SCA022304R4450	0.36
	395	445...525	OXP12X395-45	1SCA022749R0640	0.43
	465	439...519	OXP12X465-45	1SCA022423R1770	0.51
	535	515...595	OXP12X535-45	1SCA022723R2940	0.59
Shaft diameter 12 mm					
OT1000...2500E, OT800...1200U	250	226...355	OXP12X250-45	1SCA022293R9400	0.28
	280	256...385	OXP12X280-45	1SCA022382R0800	0.30
	325	301...430	OXP12X325-45	1SCA022304R4450	0.36
	395	371...500	OXP12X395-45	1SCA022749R0640	0.43
	465	441...570	OXP12X465-45	1SCA022423R1770	0.51
	535	511...640	OXP12X535-45	1SCA022723R2940	0.59
Shaft diameter 12 mm					
OT3200...4000E, OT1600...200U	280	256...385	OXP12X280-45	1SCA022382R0800	0.30
	325	301...430	OXP12X325-45	1SCA022304R4450	0.36
	395	371...500	OXP12X395-45	1SCA022749R0640	0.43
	465	441...570	OXP12X465-45	1SCA022423R1770	0.51
	535	511...640	OXP12X535-45	1SCA022723R2940	0.59

Shaft support for long shafts

Supporting 12 mm shafts longer than 280 mm.

Suitable for switches	Type	Order number	Weight/unit [kg]
OT16...125	OETLZX58	1SCA022068R8220	0.10

Accessories for manual switch-disconnectors OT160...4000

Ordering information for shaft accessories



OHZX10

Shaft alignment ring

Improves the alignment between handle and shaft.

Suitable for handle	Colour	Type	Order number	Weight/unit [kg]
For pistol handles OH_65...275J6...12	Black	OHZX10	1SCA022661R3610	0.23



OXT20X210X

Extension ring for pistol handles

Improves the alignment between handle and panel.

Suitable for handle	Colour	Type	Order number	Weight/unit [kg]
OHB_	Black	OHZX14	1SCA022851R6590	0.06

Shaft support for long shafts

Supporting 12 mm shafts longer than 280 mm.

Suitable for switches	Type	Order number	Weight/unit [kg]
OT1000...4000	OXT20X210X	1SCA103684R1001	1.50

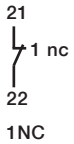
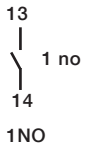
Accessories for manual switch-disconnectors OT160...4000

Ordering information for auxiliary contacts



OA1G10, OA3G01

3



OEA28

Auxiliary contact blocks for OT160EV...4000, IP20

Contact numbering according to EN 50013. Early break type auxiliary contacts means that in the switches, the NO aux.contacts break before the main contacts open.

In types with auxiliary contacts mountable under the mechanism cover, the "test" contacts operate in ON- and OFF-positions as well as when the handle is turned to TEST-position (45° over the OFF-position). The "test indication" contacts operate only when the handle is turned to TEST-position. The OA1G10 (N.O.) or OA3G01 (N.C.) auxiliary contact blocks can be used as standard auxiliary contacts, "test" or "test indication" contacts. The desired functions are achieved when an auxiliary contact block is installed in a specific place (see mounting instructions). In order to activate the "test" and "test indication" features a handle with test function is required. The test contacts can be used as standard auxiliary contacts as well.

➔ See next pages for performance data, functions and contact timing.

Suitable for switches	Function	Type	Order number	Weight/unit [kg]
Mounting on the left side of the switch				
Max. 8 auxiliary contact blocks with the OEA28 module.				
OT160EV...4000, OT200...2000U	1NO	OA1G10	1SCA022353R4970	0.03
	1NO	OA1G10AU ¹⁾	1SCA022436R7910	0.03
	1NC	OA3G01	1SCA022456R7410	0.03
	1NC	OA3G01AU ¹⁾	1SCA022819R5260	0.03
Mounting under the mechanism cover				
Max. 4 test contacts or 2 test contacts + 2 test indication contacts				
OT160EV...250E, OT200U	1NO, early break	OA1G10	1SCA022353R4970	0.03
	1NO, early break	OA1G10AU ¹⁾	1SCA022436R7910	0.03
	1NC, early make	OA3G01	1SCA022456R7410	0.03
	1NC, early make	OA3G01AU ¹⁾	1SCA022819R5260	0.03
Max. 4 test contacts + 4 test indication contacts Switches with _K handle: 2+4 auxiliary contacts with _P handle: 4+4 auxiliary contacts ²⁾				
OT315...800E, OT400...600U	1NO, early break	OA1G10	1SCA022353R4970	0.03
	1NO, early break	OA1G10AU ¹⁾	1SCA022436R7910	0.03
	1NC, early make	OA3G01	1SCA022456R7410	0.03
	1NC, early make	OA3G01AU ¹⁾	1SCA022819R5260	0.03
Max 4 test indication contacts + 6 test contacts + 2 early operation test contacts				
OT1000...4000E, OT800...2000U	1NO, early break	OA1G10	1SCA022353R4970	0.03
	1NO, early break	OA1G10AU ¹⁾	1SCA022436R7910	0.03
	1NC, early make	OA3G01	1SCA022456R7410	0.03
	1NC, early make	OA3G01AU ¹⁾	1SCA022819R5260	0.03

¹⁾ Types _AU are gold plated for extremely difficult circumstances and low voltages.

²⁾ See optional handles in page 121-124.

Module for auxiliary contacts with OT160EV...4000

Screw mounting to the left side of the switch.

Suitable for switches	Type	Order number	Weight/unit [kg]
OT160EV...4000	OEA28	1SCA022714R8810	0.04

- Does not fit side operated switches.

Accessories for manual switch-disconnectors OT160...4000

Technical data for auxiliary contacts

Performance data of auxiliary contacts according to IEC 60947-5-1

For OA1G_, OA3G_						
AC15		DC12			DC13	
U_e [VAC]	I_e [A]	U_e [VDC]	I_e [A]	P [W]	I_e [A]	P [W]
230	6	24	10	240	2	50
400	4	72	4	290	0.8	60
415	4	125	2	250	0.55	70
690	2	250	0.55	140	0.27	70
		440	0.1	44		

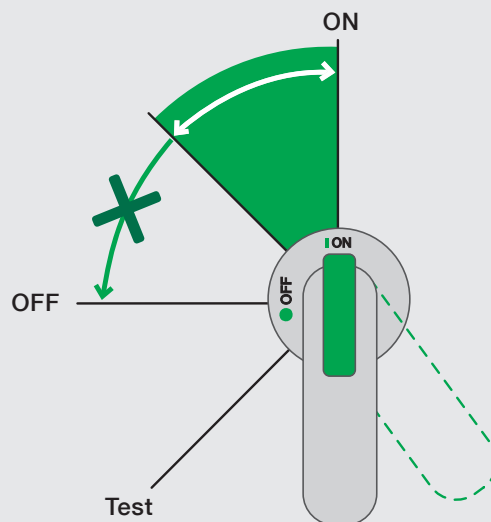
For OA1G_, OA3G_	
U_e [V]	690
U_{imp} [kV]	4
Pollution degree	3
I_{th} [A]	16
Cable size	1...2 x 0.75...2.5 mm ²
Maximum fuse	16A / gG
NEMA	A600, R300, wire size: 18 - 14 AWG, 1(2)

Function table of auxiliary contacts

Handle position	Main contacts	Aux./Test contacts N.O.	Test indication contact N.O.
Test	open	closed	closed
0	open	open	open
I	closed	closed	open

Handle indications and functions

- The handle indicates the position of the main contacts of the switch with complete reliability in all situations. If the contacts are welded together, the handle does not reach the OFF-position but remains between ON and OFF, maintaining the door interlock and preventing padlocking.
- When operating the switch to the Test-position with a test handle, the test auxiliary contacts change position. The main contacts remain open.

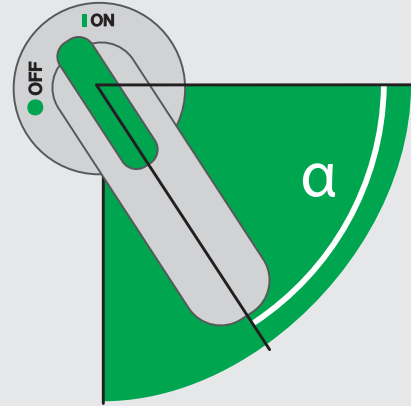
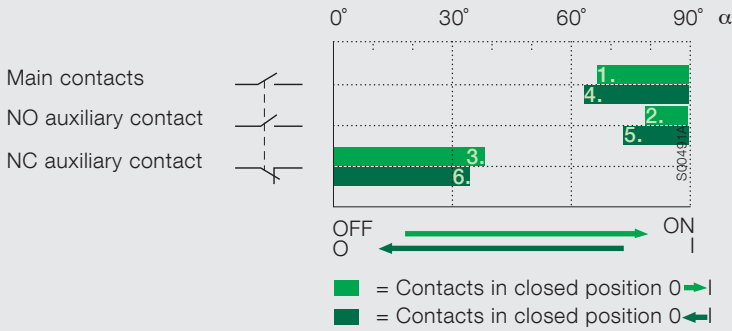


Accessories for manual switch-disconnectors OT160...4000

Technical data for auxiliary contacts

3

ON and OFF-functions of main and auxiliary contacts



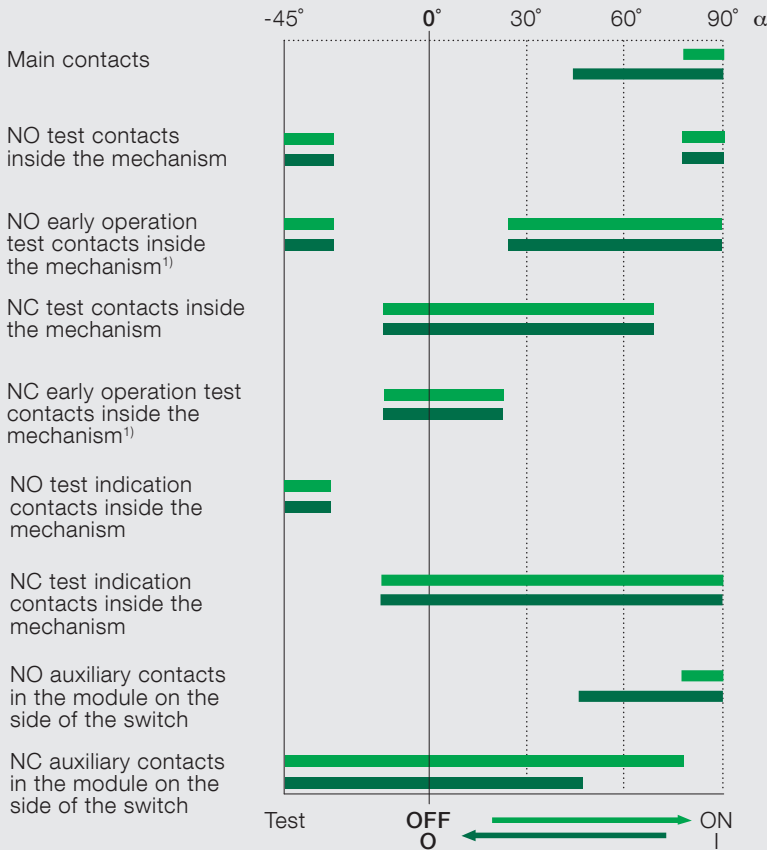
Closing:

1. Main contacts close
2. NO auxiliary contacts close
3. NC auxiliary contacts open

Opening:

4. Main contacts open
5. NO auxiliary contacts open
6. NC auxiliary contacts close

ON and OFF-functions of main and auxiliary contacts OT160EV...4000



Contact	Contact configuration
OA1G10	1NO
OA3G01	1NC

¹⁾ OT1000...4000 only

Accessories for manual switch-disconnectors OT160...4000

Ordering information for fourth poles and neutral terminals



OTZ400E



OTZ800E



OTZ1250E



OTZ1600E



OTZ2500E



OTZ4000E



OXN250



OXN400



OXN1250T

Fourth poles, simultaneous function with the main contacts

Mountable on the side of the 3-pole switch without wide phase distances.

Suitable for switches IEC	Type	Order number	Weight/unit [kg]
OT160EV...250E	OTZ250E	1SCA022735R9420	0.35
OT315...400E	OTZ400E	1SCA022749R1960	0.59
OT630...800E	OTZ800E	1SCA022807R5100	1.70
OT1000...1250	OTZ1250E	1SCA103765R1001	4.30
OT1600E	OTZ1600E	1SCA100431R1001	4.54
OT2000...2500E	OTZ2500E	1SCA107931R1001	4.30
OT3200...4000E	OTZ4000E	1SCA128807R1001	8.40

Suitable for switches UL, including phase barrier	Type	Order number	Weight/unit [kg]
OT200U	OTZ200U	1SCA151734R1001	0.35
OT400U	OTZ400U	1SCA151735R1001	0.59
OT600U	OTZ600U	1SCA151736R1001	1.70
OT800...1200U	OTZ1200U	1SCA151733R1001	4.54

Neutral links

Detachable, mountable separately to the base plate.

Suitable for switches	I_n [A]	Type	Order number	Weight/unit [kg]
OT160EV...250E, OT200U	250	OXN250	1SCA022752R9950	0.26
OT315...400E, OT400U	400	OXN400	1SCA022770R3060	0.70
OT630...800E, OT600U	800	OXN800T	1SCA022829R0840	0.96
OT1000...4000E	1250	OXN1250T	1SCA104162R1001	2.20

Accessories for manual switch-disconnectors OT160...4000

Ordering information for terminal shrouds



OTS400G1S

Terminal shrouds for OT switches, snap-on mounting, grey

Pack of single pole shrouds, IP3X. Transparent shrouds available on request.



OTS800G1S



OTS1600G1L



OTS1600G1S



OTS2500G1L



OTS2500G1S



OTS4000G1S/3



OTS4000G1S/4

Suitable for switches	Dimension Height [mm]	Type	Order number	Units/ type [pcs]	Weight/ type [kg]
For 3-pole OT switches					
OT160EV...250E, OT200U	83	OTS250G1L/3 ¹⁾	1SCA022731R8150	3	0.09
	35.5	OTS250G1S/3 ¹⁾	1SCA022731R8310	3	0.06
OT315...400E, OT400U	12.6	OTS400G1L/3 ¹⁾	1SCA022736R8840	3	0.15
	51.5	OTS400G1S/3 ¹⁾	1SCA022736R9060	3	0.09
OT630...800E, OT600U	138.6	OTS800G1L/3 ¹⁾	1SCA022776R7890	3	0.32
	61.5	OTS800G1S/3 ¹⁾	1SCA022776R8190	3	0.17
OT1000...1600E, OT800...1200U	158.5	OTS1600G1L/3 ¹⁾	1SCA022871R9510	3	0.60
	96.9	OTS1600G1S/3 ¹⁾	1SCA022871R9600	3	0.40
OT2000...2500E	168	OTS2500G1L/3 ¹⁾	1SCA107261R1001	3	1.00
	107.5	OTS2500G1S/3 ¹⁾	1SCA107260R1001	3	0.50
OT3200...4000E	233	OTS4000G1L/3 ¹⁾	1SCA129042R1001	3	1.20
	156.5	OTS4000G1S/3 ¹⁾	1SCA129044R1001	3	1.00
For 4-pole OT switches					
OT160EV...250E, OT200U	83	OTS250G1L/4 ¹⁾	1SCA022731R8230	4	0.12
	35.5	OTS250G1S/4 ¹⁾	1SCA022731R8400	4	0.08
OT315...400E, OT400U	12.6	OTS400G1L/4 ¹⁾	1SCA022736R9490	4	0.20
	51.5	OTS400G1S/4 ¹⁾	1SCA022736R9650	4	0.12
OT630...800E, OT600U	138.6	OTS800G1L/4 ¹⁾	1SCA022776R7970	4	0.42
	61.5	OTS800G1S/4 ¹⁾	1SCA022776R8270	4	0.26
OT1000...1600E, OT800...1200U	158.5	OTS1600G1L/4 ¹⁾	1SCA022871R9780	4	0.80
	96.9	OTS1600G1S/4 ¹⁾	1SCA022871R9860	4	0.50
OT2000...2500E	168	OTS2500G1L/4 ¹⁾	1SCA107262R1001	4	1.30
	107.5	OTS2500G1S/4 ¹⁾	1SCA107271R1001	4	0.70
OT3200...4000E	233	OTS4000G1L/4 ¹⁾	1SCA129043R1001	4	1.40
	156.5	OTS4000G1S/4 ¹⁾	1SCA129045R1001	4	1.60

¹⁾ L= long type, S= short type

Shrouds for terminal clamps

Snap-on mounting, transparent plastic, IP2X.

Suitable for terminal clamps	Type	Order number	Units/ type [pcs]	Weight/ unit [kg]
OZXB2, 2L	OZXB2K	1SCA022264R0010	3	0.05
OZXB3, 4	OZXB3K	1SCA022264R0440	3	0.20
OZXB5, 6	OZXB4K	1SCA022199R2850	3	0.24
OZXB7, 7L	OZXB5K	1SCA022283R8040	3	0.13

Accessories for manual switch-disconnectors OT160...4000

Ordering information for mounting accessories



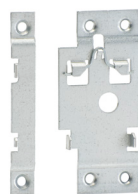
OTB_



PB200 HIGH



PB100 LOW



OSGZD1

Phase separators

Grey plastic plate for maintaining 1 in/25.44 mm clearance between the phases without terminal shrouds. Snap-on mounting.

Suitable for switches	Type	Order number	Units/ type [pcs]	Weight/ type [kg]
OT600U, OT630...800E, 3- and 4-pole	OTB800/6	1SCA022821R7760	6	0.35
OT1000...2500, 3- and 4-pole	OTB1600/6	1SCA100768R1001	6	0.50
OT3200...4000, 3- and 4-pole	OTB4000/6	1SCA129040R1001	6	0.80

Phase barriers

The phase barriers designed for ABB Tmax T4-T5 MCCB's can also be used for OT200...800 switch disconnectors. 3-pole switch disconnectors need 4 barriers and 4-pole switch disconnectors need 6 barriers for full protection.

Suitable for switches	Number of poles	Height h [mm]	Cutting width w of the phase barrier [mm]	Type	Order number	Units/ type [pcs]	Weight/ type [kg]
OT160EV...250	3	100	55	PB100 low	1SDA054970R1	4	
	3	200	55	PB200 high	1SDA054972R1	4	
	4	100	55	PB100 low	1SDA054971R1	6	
	4	200	55	PB200 high	1SDA054973R1	6	
OT315...400	3	100	67	PB100 low	1SDA054970R1	4	
	3	200	67	PB200 high	1SDA054972R1	4	
	4	100	67	PB100 low	1SDA054971R1	6	
	4	200	67	PB200 high	1SDA054973R1	6	
OT600...800	3	100	90	PB100 low	1SDA054970R1	4	
	3	200	90	PB200 high	1SDA054972R1	4	
	4	100	90	PB100 low	1SDA054971R1	6	
	4	200	90	PB200 high	1SDA054973R1	6	

DIN-rail mounting kit

For mounting a switch fuse into 35 mm DIN-rail

Suitable for switches	Type	Order number	Units/ type [pcs]	Weight/ type [kg]
OT160EV...250E	OSGZD1	1SCA115688R1001	1	0.20

Accessories for manual switch-disconnectors OT160...4000

Ordering information for terminal clamps

3



OZXB1L



OZXB2



OZXB2L



OZXB3



OZXB4



OZXB7



OZXB8



OZXB9



OZXB5



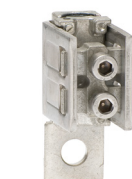
OZXB6

Terminal clamp sets for Al- and Cu-cables

Suitable for switches	Cable cross section [mm ²]	Suitable shroud type	Terminal clamp type	Order number	Units/type [pcs]	Weight/unit [kg]	
OZXB type Al/Cu connectors made of stainless steel							
OT160EV...250E, OT200U	10...70	OTS250_L	OZXB1L	1SCA022169R2030	3	0.15	
	10...70	OTS250_L	OZXB1L/1	1SCA022194R0030	1	0.05	
	25...120	OZXB2K	OZXB2	1SCA022119R7610	3	0.34	
	25...120	OZXB2K	OZXB2/1	1SCA022194R0200	1	0.12	
	25...120	OZXB2K	OZXB2L	1SCA022158R7750	3	0.43	
	25...120	OZXB2K	OZXB2L/1	1SCA022194R0460	1	0.15	
	95...185	OTS250_L	OZXB8	1SCA022744R1510	3	0.50	
	95...185	OTS250_L	OZXB8/1	1SCA022744R1600	1	0.15	
	95...240	OTS250_L	OZXB9	1SCA022750R3210	3	0.50	
	95...240	OTS250_L	OZXB9/1	1SCA022750R3300	1	0.14	
OT315...400E, OT400U	25...120	OZXB2K	OZXB2L	1SCA022158R7750	3	0.43	
	25...120	OZXB2K	OZXB2L/1	1SCA022194R0460	1	0.15	
	95...185	OZXB3K	OZXB3	1SCA022136R8100	3	1.28	
	95...185	OZXB3K	OZXB3/1	1SCA022194R0620	1	0.13	
	2x(95...185)	OZXB3K	OZXB4	1SCA022137R4760	3	1.71	
	2x(95...185)	OZXB3K	OZXB4/1	1SCA022194R0890	1	0.60	
	120...240	OZXB5K	OZXB7	1SCA022185R0040	3	1.00	
	120...240	OZXB5K	OZXB7/1	1SCA022194R1430	1	0.34	
	120...240	OZXB5K	OZXB7L	1SCA022185R7130	3	1.20	
	120...240	OZXB5K	OZXB7L/1	1SCA022194R1600	1	0.39	
OT630...800E, OT600U	95...185	OTS400_L	OZXB8	1SCA022744R1510	3	0.50	
	95...185	OTS400_L	OZXB8/1	1SCA022744R1600	1	0.15	
	95...240	OTS400_L	OZXB9	1SCA022750R3210	3	0.50	
	95...240	OTS400_L	OZXB9/1	1SCA022750R3300	1	0.14	
	120...300	OZXB4K	OZXB5	1SCA022137R2470	3	2.22	
	120...300	OZXB4K	OZXB5/1	1SCA022194R1010	1	0.80	
	2x(120...300)	OZXB4K	OZXB6	1SCA022137R4920	3	3.03	
	2x(120...300)	OZXB4K	OZXB6/1	1SCA022194R1270	1	1.00	
	OT1000...1600E, OT800...1200U	95...185	OTS1600_L	OZXB3	1SCA022136R8100	3	1.28
		95...185	OTS1600_L	OZXB3/1	1SCA022194R0620	1	0.13
2x(95...185)		OTS1600_L	OZXB4	1SCA022137R4760	3	1.71	
2x(95...185)		OTS1600_L	OZXB4/1	1SCA022194R0890	1	0.60	
120...300		OTS1600_L	OZXB5	1SCA022137R2470	3	2.22	
120...300		OTS1600_L	OZXB5/1	1SCA022194R1010	1	0.80	
2x(120...300)		OTS1600_L	OZXB6	1SCA022137R4920	3	3.03	
2x(120...300)		OTS1600_L	OZXB6/1	1SCA022194R1270	1	1.00	
120...240		OTS1600_L	OZXB7L	1SCA022185R7130	3	1.20	
120...240		OTS1600_L	OZXB7L/1	1SCA022194R1600	1	0.39	

Accessories for manual switch-disconnectors OT160...4000

Ordering information for terminal clamps



OZXB3



OZXB4



OZXR95



OZXR2X185



OZXR2X300



OZXR185



OZXR240



OZXR300

Terminal clamp sets for Al- and Cu-cables for IEC versions

Suitable for switches	Cable cross section [mm ²]	Suitable shroud type	Terminal clamp type	Order number	Units/type [pcs]	Weight/unit [kg]
OZXB type Al/Cu connectors made of stainless steel						
OT2000...2500E	95...185	OTS2500_L	OZXB3	1SCA022136R8100	3	1.28
	95...185	OTS2500_L	OZXB3/1	1SCA022194R0620	1	0.13
	2x(95...185)	OTS2500_L	OZXB4	1SCA022137R4760	3	1.71
	2x(95...185)	OTS2500_L	OZXB4/1	1SCA022194R0890	1	0.60
	120...300	OTS2500_L	OZXB5	1SCA022137R2470	3	2.22
	120...300	OTS2500_L	OZXB5/1	1SCA022194R1010	1	0.80
	2x(120...300)	OTS2500_L	OZXB6	1SCA022137R4920	3	3.03
	2x(120...300)	OTS2500_L	OZXB6/1	1SCA022194R1270	1	1.00
	120...240	OTS2500_L	OZXB7L	1SCA022185R7130	3	1.20
	120...240	OTS2500_L	OZXB7L/1	1SCA022194R1600	1	0.39
OT3200...4000E, OT1600...2000U	95...185	OTS4000_L	OZXB3	1SCA022136R8100	3	1.28
	95...185	OTS4000_L	OZXB3/1	1SCA022194R0620	1	0.13
	2x(95...185)	OTS4000_L	OZXB4	1SCA022137R4760	3	0.43
	2x(95...185)	OTS4000_L	OZXB4/1	1SCA022194R0890	1	0.60
	120...300	OTS4000_L	OZXB5	1SCA022137R2470	3	2.22
	120...300	OTS4000_L	OZXB5/1	1SCA022194R1010	1	0.80
	2x(120...300)	OTS4000_L	OZXB6	1SCA022137R4920	3	3.03
	2x(120...300)	OTS4000_L	OZXB6/1	1SCA022194R1270	1	1.00
	120...240	OTS4000_L	OZXB7L	1SCA022185R7130	3	1.20
	120...240	OTS4000_L	OZXB7L/1	1SCA022194R1600	1	0.39
OZXR type Al/Cu connectors made of stainless steel and copper						
OT160EV...250E, OT200U	25...95	OTS250_L	OZXR95	1SCA115530R1001	3	0.21
OT160200...250E, OT200U	95...185	OTS250_L	OZXR185	1SCA115531R1001	3	0.45
OT315...400E, OT400U	2x(95...185)	-	OZXR2X185	1SCA115534R1001	3	0.66
	185...300	-	OZXR300	1SCA115533R1001	3	0.87
OT630...800E, OT600U	2x(185...300)	-	OZXR2X300	1SCA115535R1001	3	1.59
OT315...400E, OT400U	95...240	OTS400_L	OZXR240	1SCA115532R1001	3	0.42
OZXP type Al/Cu connectors made of tin plated aluminium profile						
OT160EV...250E, OT200U	6...95	OTS250_L	OZXP95	1SCA115539R1001	3	0.03
OT315...400E, OT400U	35...240	OTS400_L	OZXP240	1SCA115542R1001	3	0.27
OT630...800E, OT600U	2x(70...240)	OTS800_L	OZXP2X240	1SCA115544R1001	3	1.38

Accessories for manual switch-disconnectors OT160...4000

Ordering information for terminal lugs



OZXA200



OZXA400



OZXA800



OZXA1200

Terminal lug kits for Al- and Cu-cables for UL/CSA disconnect switches

One kit includes 6 pcs.

Suitable for switches	Cable cross section [mm ²]	Type	Tightening torque [lb.in/Nm]	Weight/unit [kg]	Weight/unit [in]
OT200U_	AWG 4-300MCM	OZXA-200	275/31.1	0.04	0.09
OT400U_	AWG 2-600MCM	OZXA-400	375/42.4	0.05	0.12
OT600...800U_	2 X AWG 2-600MCM	OZXA-800	500/56.5	0.21	0.45
OT1200...2000U_	4 X AWG 2-600MCM	OZXA-1200	500/56.5	0.45	0.98

For ordering, please consult us.

Technical data for terminal lugs

Description	
UL approval file	E6207
Temperature Rating, °C	75
Wire tightening Type of tool	Allen (Hex) wrench
Lug mounting	Bolt & nut mounting
AWG (American Wire Gauge) wire class	B.C

Accessories for manual switch-disconnectors OT160...4000

Ordering information for conversion kits



OESAZW2

6 and 8-pole switch mechanism

Attachment levers for connecting two 3- or 4-pole switches provided with holes, enabling different shaft distances. The combination switches can be mounted either horizontally or vertically.

Suitable for switches	Shaft distance [mm]	Type	Order number	Weight/unit [kg]
OT160EV...250E, OT200U	45+(0...13)x15	OESAZW2	1SCA022078R1600	0.80
OT315...800E, OT400...600U	60+(0...19)x20	OETLZW9	1SCA022061R3300	1.10



OTZW25

Change-over switch mechanism

Attachment levers. Two switches connected with a mechanism operating into I-O-II -positions. Two 3 or 4-pole switches needed.

Suitable for switches	Shaft distance [mm]	Type	Order number	Weight/unit [kg]
OT160G, OT160EV...250E, OT200U	210+(0...18)x20	OTZW25	1SCA022778R6920	2.80
OT315...400E, OT400U	210+(0...11)x20	OETLZW11	1SCA022078R0030	3.00
OT630...800E, OT600U	210+(0...20)x20	OETLZW12	1SCA022078R0200	4.60

See the table of the handles and shafts included in the conversion kits on next spread.



OTZW26

By-pass switch mechanism

A combination of two switches in parallel with a third switch for change-over operation to by-pass, for example, a breaker for maintenance. Three 3 or 4-pole switches needed.

Suitable for switches	Shaft distance [mm]	Type	Order number	Weight/unit [kg]
OT160EV...250E, OT200U	Between 1 and 2: 210+(0...9)x20 Between 1 and 3: 250+(0...9)x20	OTZW26	1SCA022778R7060	3.30
OT315...800E, OT400...800U	Between 1 and 2: 210+(0...18)x20 Between 1 and 3: 250+(0...18)x20	OETLZW13	1SCA022078R0460	4.00

Mechanical interlock mechanism

Prevents one switch from moving to ON-position, if the other is not in OFF-position. When mounted upside down, prevents one switch from moving to OFF-position, if the other is not in ON-position. (UPS-usage, make-before-break).



OETLZW14

Suitable for switches	Shaft distance [mm]	Type	Order number	Weight/unit [kg]
OT160EV...250E, OT200U	190	OTZW10	1SCA022431R5280	0.40
OT315...400E, OT400U	250	OETLZW14	1SCA022077R3410	0.70
OT315...800E, OT400...800U	300	OETLZW3	1SCA022049R0380	0.80
OT315...4000E, OT1600...2000U	500	OETLZW15	1SCA022081R9340	1.24

See the table of the handles and shafts included in the conversion kits on next spread.

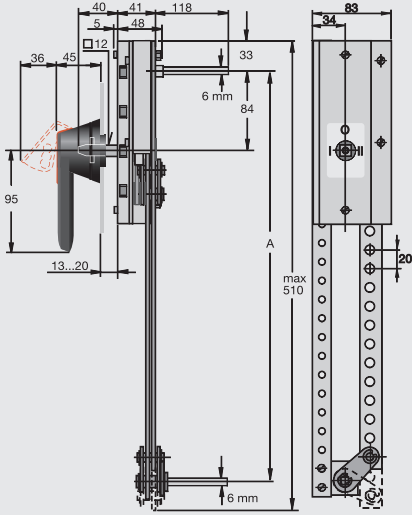
Accessories for manual switch-disconnectors OT160...4000

Dimensional drawings for conversion kits

3

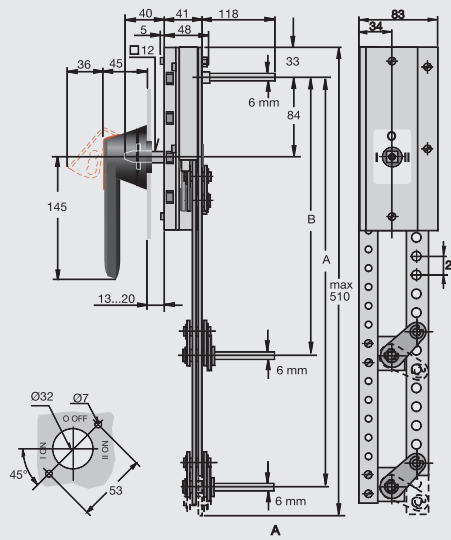
Change-over and by-pass switches

OTZW25



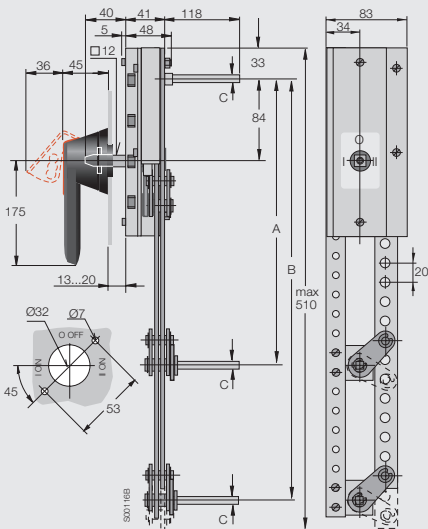
OTZW25	
A	210+(0...18)x20mm
A00213_B	

OTZW26



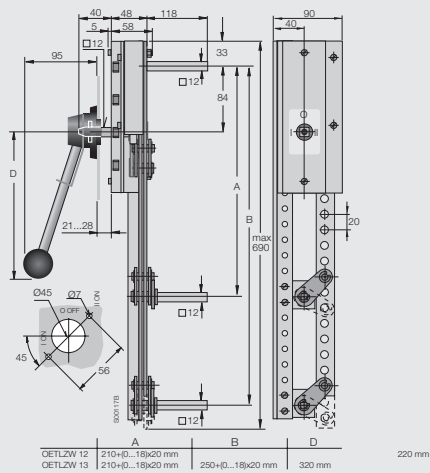
OTZW26	
A	210+(0...18)x20mm
B	210+(0...18)x20mm
S00213A	

OETLZW11



OETLZW11	
A	210+(0...11)x20mm
A00116B	

OETLZW12, OETLZW13



OETLZW 12	210+(0...18)x20 mm	250+(0...18)x20 mm	320 mm	220 mm
OETLZW 13	210+(0...18)x20 mm	250+(0...18)x20 mm	320 mm	

OETLZW12, OETLZW13		
	OETLZW12	OETLZW13
A	210+(0...18)x20mm	210+(0...18)x20mm
B		250+(0...18)x20mm
C	220 mm	320 mm

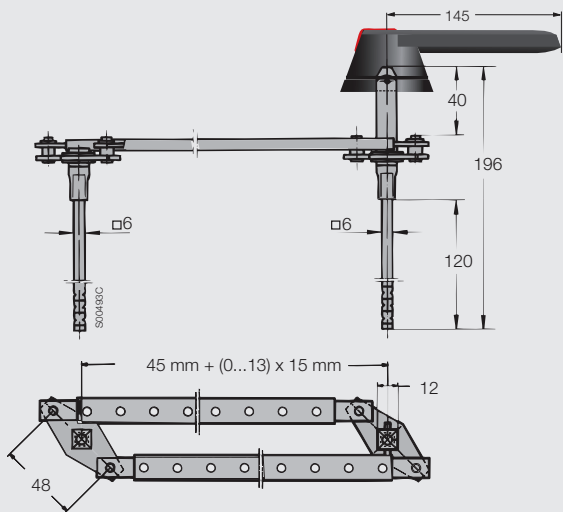
S00117B

Accessories for manual switch-disconnectors OT160...4000

Dimensional drawings for conversion kits

6 and 8-pole switches

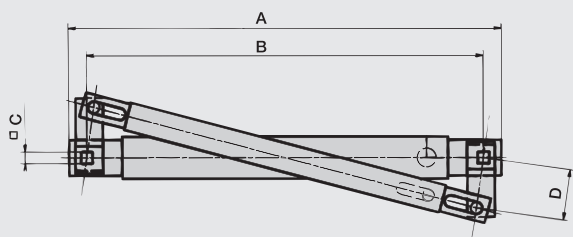
OESAZW2



3

Mechanical interlock

OTZW10

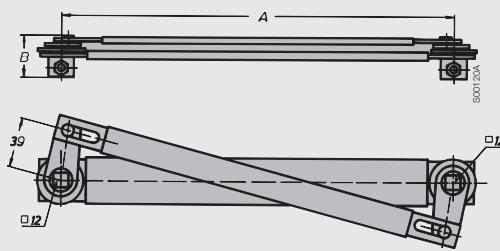


OTZW10

	OTZW10
A	206
B	190
C	6
D	30

S00119A

OETLZW3, OETLZW14, OETLZW15



OETLZW3, OETLZW14, OETLZW15

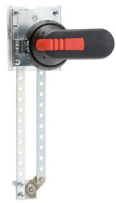
	OETLZW3	OETLZW14	OETLZW15
A	300	250	500
B	31	31	36

S00120A

Accessories for manual switch-disconnectors OT160...4000

Ordering information for conversion kit accessories

3



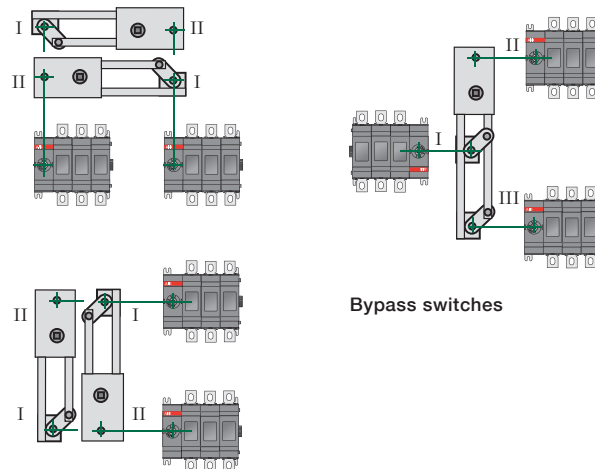
OTZW25



OTZW26

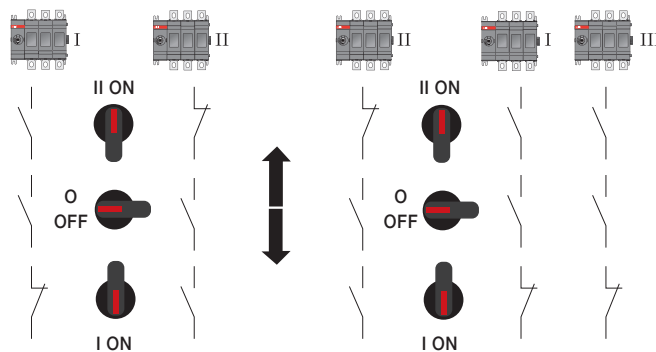
Shafts and handles for conversion kits

Conversion kit type	To be ordered separately		Included in conversion kit delivery		The standard handle / shaft of one of the combined switches can be used	
	Shaft	Handle	Shaft	Handle	Shaft	Handle
6 and 8-pole switches						
OESAZW2	-	OH_95J12	x (2 pcs)	-	-	-
OESAZW9	-	-	-	-	X	X
Change-over switches						
OTZW25	-	-	x (2 pcs)	OHB95J12E011	-	-
OETLZW11	-	-	x (2 pcs)	OHB145J12E011	-	-
OETLZW12	-	-	x (2 pcs)	YASDA21	-	-
By-pass switches						
OTZW26	-	-	x (3 pcs)	OHB95J12E011	-	-
OETLZW13	-	-	x (3 pcs)	YASDA6	-	-
Mechanical interlock						
OTZW10	-	-	-	-	X	X
OETLZW14	-	-	-	-	X	X
OETLZW3	-	-	-	-	X	X
OETLZW15	-	-	-	-	X	X



Bypass switches

Change-over switches



Change-over switches

Bypass switches

Accessories for manual switch-disconnectors OT160...4000

Ordering information for locking accessories



OHZX4

Locking accessories

Door interlock bracket for pistol handles

Prevents defeating the door interlock.

Suitable for switches	Type	Order number	Weight/unit [kg]
For pistol handles OH_45...275	OHZX4	1SCA022467R2470	0.03



OETLZW5

Cam attachment

Cam attachment for Castell, Lowe & Fletcher and Ronis interlock. Lock, handle or shaft are not included. Mounting on OXP shaft working together with external OH door handle.

Suitable for switches	Type	Order number	Weight/unit [kg]
OT315...4000	OETLZW5	1SCA022052R3900	0.14

See the table of the handles and shafts included in the conversion kits on previous page.

Accessories for manual switch-disconnectors OT160...4000

Ordering information for mechanical interlocks

3



OTZT1A



OTZT2A



OTZT3A



OTZL4

Mechanism interlock kits and electrical interlocks

OT160EV... 4000 switch-disconnectors can be interlocked in the OFF-position using padlocks or a mechanical interlock kit mounted on the mechanism. The diameter of the lock bail can be max 8 mm.

Suitable for switches	Type	Order number	Weight/unit [kg]
Interlocking in the OFF-position			
OT200U, OT160EV...250	OTZT1A	1SCA106522R1001	0.21
OT400U, OT315...400E	OTZT2A	1SCA106523R1001	0.57
OT600U, OT630...800E	OTZT3A	1SCA106525R1001	0.75
OT800U, OT1000...4000	OTZT4A	1SCA106526R1001	1.15
Interlocking in the OFF- and ON-positions			
OT200U, OT160EV...250	OTZT1L	1SCA106527R1001	0.21
OT400U, OT315...400E	OTZT2L	1SCA106529R1001	0.57
OT600U, OT630...800E	OTZT3L	1SCA106530R1001	0.75
OT800U, OT1000...4000	OTZT4L	1SCA106531R1001	1.15

Mechanical interlock between OT earthing switch and OT1000...4000 switch-disconnector or E-max / T7 breaker

The operation of both the earthing switch and the switch-disconnector / breaker into ON-position at the same time is mechanically prevented by using two cables between the earthing switch and main switch or breaker. Cable length 1370 mm.

Suitable for switches	Description	Type	Order number	Weight/unit [kg]
Mechanical interlock kit for earthing switches type _EM				
OT1000...2500		OTZL4	1SCA116554R1001	0.5
Wire rope				
OT1000...2500, E-max/T7	Including 2 pcs 1370 mm wire rope	-	1SDA062127R1	0.2

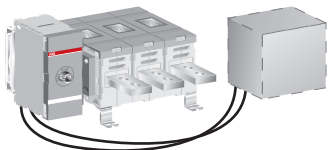
Electrical and mechanical interlock OTZT_

[mm]	OTZT1_	OTZT2_	OTZT3_	OTZT4_
A	69	81	86	88
B	82	102	110	110
C	122	152	201	258
D	35	52	65	84
E	73	91	98	95

M00350/OTZT1-4_ A

Accessories for manual switch-disconnectors OT160...4000

Ordering information for electrical interlocks



OT_EM_
+ OTZL4

OT switch +
OTZL4 or
Emax, T7



PDAL2

Electrical interlock kit

Suitable for switches	Description	Type	Order number	Weight/ unit [kg]
OT1000...2500E	Locking in OFF-position	OTZM4A	1SCA118510R1001	0.85
	Locking in OFF- and ⚡ -position	OTZM4L	1SCA118511R1001	0.85

Coils for OTZT_ and OTZM_ electrical interlocks

By installing a coil inside the housing of the interlock kit the switch can be interlocked electrically in the OFF-position or both in the OFF- and ON-positions. The electrical interlock works using the "closed circuit principle", meaning that when the control voltage is not connected to the coil, the switches provided with A-type interlocks cannot be turned to the ON-position and switches with L-type interlocks cannot be turned to the ON- or OFF- positions.

Suitable for switches	Type	Order number	Weight/ unit [kg]
AC coils			
24 VAC, 60Hz	PDAL2/24AC60Hz	1SCA111350R1001	0.15
110 VAC, 50Hz	PDAL2/110AC50Hz	1SCA106543R1001	0.15
110 VAC, 60Hz	PDAL2/110AC60Hz	1SCA107100R1001	0.15
120 VAC, 60 Hz	PDAL2/120AC60Hz	1SCA111353R1001	0.15
208 VAC, 60Hz	PDAL2/208AC60Hz	1SCA107101R1001	0.15
230 VAC, 50Hz	PDAL2/230AC50Hz	1SCA107102R1001	0.15
240 VAC, 60Hz	PDAL2/240AC60Hz	1SCA111356R1001	0.15
DC coils			
24 VDC	PDAL2/24DC	1SCA106542R1001	0.15
48 VDC	PDAL2/48DC	1SCA107103R1001	0.15
60 VDC	PDAL2/60DC	1SCA107104R1001	0.15
110 VDC	PDAL2/110DC	1SCA107105R1001	0.15
125 VDC	PDAL2/125DC	1SCA111338R1001	0.15
220 VDC	PDAL2/220DC	1SCA112503R1001	0.15
Technical data for the coil			
Operating voltage	U = 0.8...1.1 x U _n		
Operating ambient temperature	- 40°C...+65°C		
Power consumption	with AC 6.5 W with DC 9 VA		

ABB's motor operated switch-disconnectors serve well in applications requiring remote operation.



Motorized switch-disconnectors

Made for remote operations

Introduction to motorized switch-disconnectors

Product overview	149
Product range	151
Type designation key for the types types OTM40..125	152
Type designation key for the types OTM160...4000	153

Technical data

Motorized switch-disconnectors (IEC)	154
Motorized switch-disconnectors motor operators	157

Ordering information

Accessory guide for OTM40...OTM125	158
Accessory guide for OTM160...OTM2500	159
Motorized switch-disconnectors (IEC)	160
Motorized switch-disconnectors with wide phase distance (IEC)	163

Dimensional drawings

Motorized switch-disconnectors (IEC)	164
Motorized switch-disconnectors with wide phase distance (IEC)	169

Ordering information for accessories

Handle accessories	170
ON and OFF-functions of main and auxiliary contacts	171
Fourth poles, neutral and earth terminals	174
Terminal shrouds	175
Terminal clamps	176

Motorized switch-disconnectors

Made for remote operations

Motor operated switch-disconnectors by ABB are suitable for a wide range of demanding applications that may require remote operation. For the same reason, they have been designed to be virtually maintenance free throughout their entire lifespan.



Easy to install

Flexible and adjustable

The motorized switch disconnectors have a snap-on control wire connections. Auxiliary contacts can be snapped on to the sides of the switch. Quick and easy installation saves time and expenses.



Safety and protection

Numerous safety features

These devices come equipped with a wide range of safety features, such as IP20-protected finger proof installations. All of the contacts are clearly visible, which makes for clear and reliable position indication. Also, all of our motorized switch-disconnectors are equipped with a handle for manual operation in emergency situations. The handles are of course padlockable into the OFF position for ensured safety.



Reliable in extreme conditions

Tried and tested

Ensuring a high performance level for you is of the utmost importance to us. In applications where the loaded switch may need to be operated remotely, adequate durability has been ensured by testing against the IEC 60947 standard. These devices are also equipped with extremely resistant insulation materials, which help reduce the risk of flash-over between phases in even the most severe circumstances and environments.



Motorized switch-disconnectors

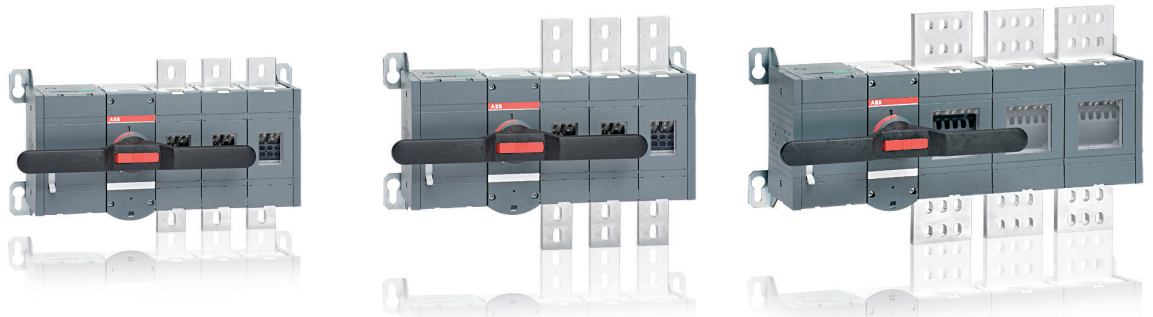
Made for remote operations



Motor operation

IEC	OTM40F	OTM160E	OTM315E	OTM630E
	OTM63F	OTM200E	OTM400E	OTM800E
	OTM80F	OTM250E		
	OTM100F			
	OTM125F			
Switch size [A]	40 63 80 100 125	160 200 250	315 400	630 800

4



Motor operation

IEC	OTM1000E	OTM1600E	OTM2000E
	OTM1250E		OTM2500E
			OTM3200E
			OTM4000E
Switch size [A]	1000 1250	1600	2000 2500

Accessories for motorized switch-disconnectors include:

- Handle accessories
- Auxiliary contacts
- Fourth poles
- N & PE terminals
- Terminal shrouds
- Terminal clamps



Please note that listed accessories are not automatically included in your order. Ordering information for accessories from page 170-171 and 174-177.

Motorized switch-disconnectors

Type designation key

Type codes

Understanding the type code keys below will help you quickly identify the correct product for your needs. The simple naming system allows you to see the products type, Ampere rating, standard classification and number of poles, all in one glance.

Explanation of the types OTM40..125

	OTM	40	F	3	M	230V
	1	2	3	4	5	6
1	Brand					
OT:	ABB switch-disconnector brand					
OTM:	ABB motorized switch-disconnector brand					
2	Switch size / Ampere rating					
40...125	40...125A					
3	Mounting / Construction					
F:	Base and DIN-rail mounting					
4	Number of poles					
3:	3-poles					
4:	4-poles					
5	Construction					
M:	Motor operated					
6	Code for motor voltage in motor operated switches					
230V:	Motor voltage $U_e = 220...240$ VAC/DC					

Motorized switch-disconnectors

Type designation key

Type codes

Understanding the type code keys below will help you quickly identify the correct product for your needs. The simple naming system allows you to see the products type, Ampere rating, standard classification and number of poles, all in one glance.

Explanation of the types OTM160...4000

OTM	400	E	3	M	W	230C
1	2	3	4	5	6	7

1 Brand

OT: ABB switch-disconnector brand

OTM: ABB motorized switch-disconnector brand

2 Switch size / Ampere rating

160...4000: 160 A...4000 A

3 Mounting / Construction

E: Front operated, base mounting, IEC

4 Number of poles and placing of the operating mechanism

2: 2-poles, motor operator at the left end of the switch

3: 3-poles, motor operator at the left end of the switch

4: 4-poles, motor operator at the left end of the switch

5 Construction 1

M: Motor operated

6 Construction 2

W: With wide phase distance

7 Code for motor voltage in motor operated switches

230V: Motor voltage $U_e = 220...240$ VAC/DC

230C: Motor voltage $U_e = 220...240$ VAC

Motorized switch-disconnectors, IEC

Technical data

Technical data according to IEC 60947-3				Switch type				
				OTM40F	OTM63F	OTM80F	OTM100F	OTM125F
Rated insulation voltage and rated operational voltage AC20/DC20	Pollution degree 3		V	750	750	750	750	750
Dielectric strength		50 Hz 1min.	kV	6	6	6	6	6
Rated impulse withstand voltage			kV	8	8	8	8	8
Rated thermal current and rated operational current AC20/DC20	Ambient 40°C ²⁾	In open air	A	40	63	80	115	125
	Ambient 40°C ²⁾	In enclosure	A	40	63	80	115	125
	Ambient 60°C	In enclosure	A	32	50	63	80	100
...with minimum conductor cross section		Cu	mm ²	10	16	25	35	50
Rated operational current, AC-21A		up to 415 V	A	40	63	80	100	125
		440...690 V	A	40	63	80	100	125
Rated operational current, AC-22A		up to 415 V	A	40	63	80	100	125
		440...500 V	A	40	63	80	100	125
		690 V	A	40	63	80	100	125
			A	23	63	75	80	90
Rated operational current, AC-23A		up to 415 V	A	23	63	65	65	78
		440 V	A	23	63	65	65	78
		500 V	A	23	45	58	60	70
		690 V	A	12	20	20	40	50
Rated operational current / poles in series, DC-21A		24...48 V ¹⁾	A	32/1	63/1	80/1	100/1	125/1
		110 V	A	32/2	63/2	80/2	100/2	125/2
		220 V	A	32/3	63/4	80/4	100/4	125/4
		440 V	A	16/4	16/4	16/4		
		500 V	A	16/4	16/4	16/4		
Rated operational current / poles in series, DC-22A		24...48 V ¹⁾	A	32/1	63/1	80/1	100/1	125/1
		110 V	A	32/2	63/2	80/2	100/2	125/2
		220 V	A	32/4	45/4	45/4	63/4	80/4
		440 V	A	10/4	10/4	10/4		
Rated operational current / poles in series, DC-23A		24...48 V ¹⁾	A	32/1	63/1	80/1	100/1	125/1
		110 V	A	32/2	63/2	80/2	100/2	125/2
		220 V	A	32/4	45/4	45/4	63/4	63/4
		440 V	A	10/4	10/4	10/4		
Rated operational power, AC-23A (These values are given for guidance and may vary acc. to the motor manufacturer)		220...240 V	kW	5.5	11	22	22	22
		400...415 V	kW	11	22	37	37	45
		440 V	kW	11	22	37	37	45
		500 V	kW	11	22	37	37	45
		690 V	kW	11	15	18.5	37	45
Rated breaking capacity, AC-23A		up to 415 V	A	184	360	640	640	720
		440 V	A	184	360	448	520	624
		500 V	A	184	360	464	480	560
		690 V	A	96	160	160	320	40
			A					
Rated breaking capacity/ poles in series, DC-23A		24...48 V	A	128/1	180/1	252/1	400/1	500/1
		220 V	A	128/4	180/4	180/4	252/4	252/4
		110 V	A	128/2	180/2	252/2	400/2	500/2
		440 V	A	40/4	40/4	40/4		
		750 V	A	64/8				
Rated conditional short-circuit current I _{cc} (r.m.s.) and corresponding max. allowed cut-off current I _c . The cut-off current I _c refers to values listed by fuse manufacturers (single phase test acc. to IEC60269)	I _{cc} (r.m.s.)	50 kA	kA	6.5	13	13	16.5	16.5
	Max. OFA_fuse size gG/aM	≤ 415 V	A	40/32	100/80	100/80	125/125	125/125
	I _c (r.m.s.)	100 kA	kA		17	17		
	Max. OFA_fuse size gG/aM	≤ 500 V	A		100/80	100/80		
	I _{cc} (r.m.s.)	10 kA	kA				8.2	8.2
	Max. OFA_fuse size gG/aM	≤ 690 V	A				125/100	125/100
Rated short-time withstand current	I _{cc} (r.m.s.)	50 kA	kA	4	11	11	10	10
	Max. OFA_fuse size gG/aM	≤ 690 V	A	25/16	80/63	80/63	63/63	63/63
Rated short-time withstand current	r.m.s. -value I _{ew}	690 V, 0.25 s	kA	0.5	1	1.5	2.5	2.5
	r.m.s. -value I _{ew}	690 V, 1 s	kA	0.5	1	1.5	2.5	2.5
Rated short circuit making capacity	Peak value I _{cm}	690 V/500 V	kA	0.71	1.4	2.1	3.6	3.6
Rated capacitor power (The capacitor ratings are limited by the fuse link.)		400...415 V	kVAr	15	25	30	40	50
Power loss / pole	At rated operational current		W	1.6	2.8	4.5	4.0	6.3
Mechanical endurance	Divide by two for operation cycles		Oper.	20 000	20 000	20 000	20 000	20 000
Weight without accessories	3-pole		kg	0.11	0.27	0.27	0.36	0.36
	4-pole		kg	0.15	0.35	0.35	0.50	0.50
Cable size	Cu-wire size suitable		mm ²	0.75...10	1.5...35	1.5...35	10...70	10...70
	for terminal clamps		AWG	18-8	14-4	14-4	8-00	8-00
Terminal tightening torque	Counter torque required		Nm	0.8	2	2	6	6
Operating torque	3-pole switch-disconnector		Nm	1	1.2	1.2	2	2

¹⁾ Below 48 V, two poles in parallel up to OTM80 are recommended particularly in polluted atmosphere.

²⁾ Acc. to IEC 60947-1, § 6.1.1.

Motorized switch-disconnectors, IEC

Technical data

Technical data according to IEC 60947-3				Switch type						
				OTM160EV	OTM200E	OTM250E	OTM315E	OTM400E	OTM630E	OTM800E
Rated insulation voltage and rated operational voltage AC-20, DC-20	Pollution degree 3		V	1 000	1 000	1 000	1 000	1 000	1 000	1 000
Dielectric strength		50 Hz 1min.	kV	10	10	10	10	10	10	10
Rated impulse withstand voltage			kV	12	12	12	12	12	12	12
Rated thermal current and rated operational current AC-20, DC-20 in ambient 40 °C ¹⁾	In open air		A	200	200	250	315	400	630	800
	In enclosure		A	160	200	250	315	400	630	800
...with minimum cable cross section	Cu		mm ²	70	95	120	185	240	2x185	2x240
			A	200	200	250	315	400	630	800
Rated operational current, AC-21A		≤ 500 V	A	200	200	250	315	400	630	800
		690 V	A	160	200	250	315	400	630	800
		1000 V	A	160	200	250	315	400	630	800
Rated operational current, AC-22A		≤ 500 V	A	200	200	250	315	400	630	800
		690 V	A	160	200	250	315	400	630	800
		1000 V	A	160	200	250	315	400	630	800
Rated operational current, AC-23A		≤ 500 V	A	160	200	250	315	400	630	800
		690 V	A	160	200	250	315	400	630	800
		1000 V	A	135	135	135	200	200	400	400
Rated operational current / poles in series, DC-21A ¹⁾		24...110 V	A	160/2	200/2	250/2	315/1 ²⁾	400/1 ²⁾	630/1	800/1
		220 V	A	160/2	200/2	250/2	315/2 ²⁾	400/2 ²⁾	630/1	800/1
		440 V	A	160/3	200/3	250/3	315/3	360/3	630/2	800/2
		660 V	A	160/4	200/4	230/4 ²⁾	315/4	360/4	630/4 ²⁾	650/4 ²⁾
Rated operational power, AC-23 (These values are given for guidance and may vary acc. to the motor manufacturer)		230 V	kW	48	60	75	100	132	200	250
		400 V	kW	80	110	140	160	220	355	450
		415 V	kW	88	110	145	180	230	355	450
		500 V	kW	112	132	170	220	280	400	560
		690 V	kW	144	200	250	315	400	630	800
Rated breaking capacity in category AC-23		≤ 500 V	A	1 280	1 600	2 000	2 520	3 200	5 040	6 400
		690 V	A	1 280	1 600	2 000	2 520	3 200	5 040	6 400
Rated conditional short-circuit current I _{cc} (r.m.s.) and corresponding max. allowed cut-off current \hat{i}_c . The cut-off current \hat{i}_c refers to values listed by fuse manufacturers (single phase test acc. to IEC60269)	I _{cc} (r.m.s.)	100 kA, 500 V	kA	40.5	40.5	40.5	61.5	61.5	90	90
	Max. OFA_ fuse size	gG/aM	A	315/315	315/315	315/315	500/450	500/450	800/1 000	800/1 000
	I _{cc} (r.m.s.)	80 kA, 690 V	kA	40.5	40.5	40.5	59	59	83.5	83.5
	Max. OFA_ fuse size	gG/aM	A	355/315	355/315	355/315	500/500	500/500	800/1 000	800/1 000
Rated short-time withstand current	r.m.s. value I _{cw}	≤ 1000 V 0,15 s	kA	15	15	15	31	31	38	38
		≤ 1000 V 0,25 s	kA	15	15	15	24	24	36	36
		≤ 1000 V 1 s	kA	8	8	8	15	15	20	20
Rated short-circuit making capacity	Peak value I _{cm}	≤ 1000 V	kA	30	30	30	65	65	80	80
Rated capacitor power when no initial charge on the capacitor	The capacitor ratings are limited by the fuse links	415 V	kVAr	80	100	115	145	180	250	310
		500 V	kVAr	96	120	135	175	215	300	375
		690 V	kVAr	128	160	190	250	325	450	550
Power loss / pole	With rated current		W	3.2	4	6.5	6.5	10	25	40
Mechanical endurance	Divide by two for oper. cycles		Oper.	20 000	20 000	20 000	16 000	16 000	10 000	10 000
Weight without accessories	3-pole switch		kg	1.2	1.2	1.2	2.2	2.2	5.2	5.2
Terminal bolt size	Metric thread diameter x length		mm	M8x25	M8x25	M8x25	M10x30	M10x30	M12x40	M12x40
Terminal tightening torque	Counter torque required		Nm	15-22	15-22	15-22	30-44	30-44	50-75	50-75
Operating torque	3-pole switch disconnector		Nm	7	7	7	16	16	27	27

¹⁾ Further ratings on request.

²⁾ Category B.

Motorized switch-disconnectors, IEC

Technical data

Technical data according to IEC 60947-3				Switch type						
				OTM1000E	OTM1250E	OTM1600E	OTM2000E	OTM2500E	OTM3200E	OTM4000E
Rated insulation voltage and rated operational voltage AC20/DC20	Pollution degree 3		V	1 000	1 000	1 000	1 000	1 000	1 000	1 000
Dielectric strength		50 Hz 1min.	kV	10	10	10	10	10	10	10
Rated impulse withstand voltage			kV	12	12	12	12	12	8	8
Rated thermal current and rated operational current AC20/DC20	Ambient 40°C ¹⁾	In open air	A	1 000	1 250	1 600	2 000	2 500	3 200	3 800 ²⁾ , 4000 ⁵⁾
..with minimum conductor cross section	Ambient 40°C ¹⁾	In enclosure	A	1 000	1 250	1 600				
Rated operational current, AC-21A	Cu		mm ²	2x300	2x400	2x500	3x500	4x500	4x1 000	5x1 000
Rated operational current, AC-22A		up to 690 V	A	1 000	1 250	1 600	2 000 ²⁾	2 500 ²⁾		
		1000 V	A	1 000	1 250	1 600				
Rated operational current, AC-23A		up to 415 V	A	1 000	1 250	1 600	2 000 ²⁾	2 500 ²⁾	3 200 ²⁾	3 800 ²⁾ , 4000 ³⁾
		500 - 690 V	A	1 000	1 250	1 600	2 000 ^{2) 3)}	2 500 ^{2) 3)}		
Rated operational current, AC-23A		up to 500 V	A	1 000	1 250	1 250				
		690 V	A	1 000	1 250	1 250				
Rated operational power, AC-23A (These values are given for guidance and may vary acc. to the motor manufacturer)		400...415 V	kW	560	710	710				
		440 V	kW	630	800	800				
		500 V	kW	710	900	900				
		690 V	kW	1 000	1 200	1 200				
Rated breaking capacity, AC-23A		up to 500 V	A	10 000	10 000	10 000				
		690 V	A	10 000	10 000	10 000				
Rated conditional short-circuit current I_{cc} (r.m.s.) and corresponding max. allowed cut-off current \hat{i}_c . The cut-off current \hat{i}_c refers to values listed by fuse manufacturers (single phase test acc. to IEC60269).	I_{cc} (r.m.s.)	80 kA	kA	100	100	100				
	Max. OFA_ fuse size	≤ 415 V	A	1 250/1 250	1 250/1 250	1 250/1 250				
	I_{cc} (r.m.s.)	100 kA	kA	106	106	106				
	Max. OFA_ fuse size	≤ 500 V	A	1 250/1 250	1 250/1 250	1 250/1 250				
Rated short-time withstand current	r.m.s. -value I_{cw}	690 V, 0.25 s	kA	50	50	50	80	80	60	60
		690 V, 1 s	kA	50	50	50	55	55		
Rated short circuit making capacity	Peak value I_{cm}	690 V	kA	110 ⁴⁾	110 ⁴⁾	110 ⁴⁾	176	176	176	176
	Max. distance from switch frame to nearest busbar/ cable support		mm	150	150	150	150	150	150	150
Rated capacitor power when no initial charge on the capacitor	The capacitor ratings are limited by the fuse links	415 V	kVAr	460	575	575				
		500 V	kVAr	550	690	690				
		690 V	kVAr	750	950	950				
Power loss / pole	At rated operational current		W	19	29	48	55	85	95	120
Mechanical endurance	Divide by two for operation cycles		Oper.	6 000	6 000	6 000	6 000	6 000	5 000	5 000
Weight without accessories	3-pole		kg	14.1	14.1	15.2	22	22	32	36
	4-pole		kg	18	18	19.5	28	28	39	45
Terminal bolt size	Metric thread diameter x length		mm	M12x50	M12x50	M12x60	M12x60	M12x60	M12x60	M12x60
Terminal tightening torque	Counter torque required		Nm	50...75	50...75	50...75	50...75	50...75	50...75	50...75
Operating torque	3-pole switch-disconnector		Nm	65	65	65	65	65	65	65

¹⁾ Acc. to IEC60947-1, § 6.1.1.

²⁾ IEC 947-3, utilization category B, infrequent operation.

³⁾ Phase barriers or terminal shrouds must be used on both sides of the switch at voltages ≥ 500 V.

⁴⁾ The value is 92 kA for 4-pole switch-disconnectors.

⁵⁾ OTM4000E_W8_

Motorized switch-disconnectors

Technical data, motor operators

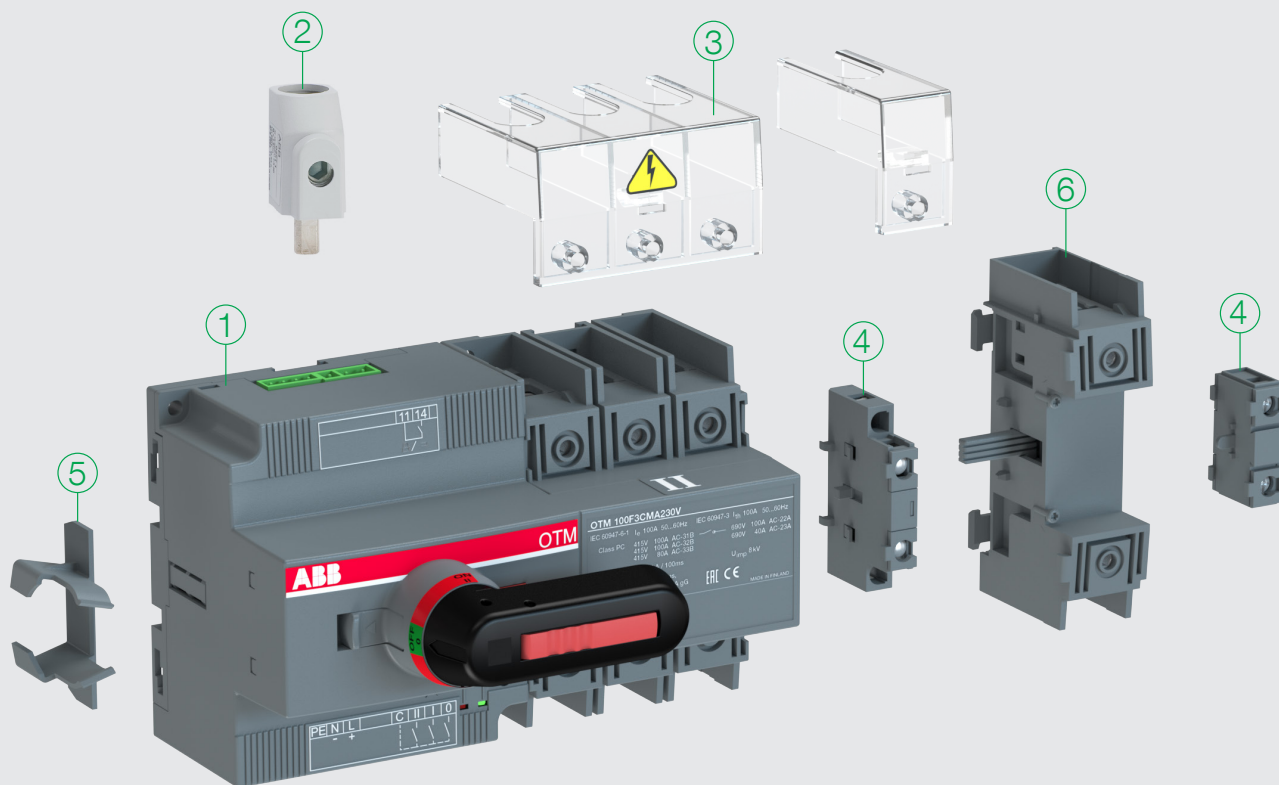
Data for motor operator of switch-disconnectors, OTM according to IEC 60947				Switch type				
				OTM40...125	OTM160...250	OTM315...400	OTM600...800	OTM1000...4000
Rated operational voltage U_e	Pollution degree 3 50/60 Hz		V AC/DC V AC	110...240	220...240	220...240	220...240	220...240
Operating voltage range				$0.85...1.1 \times U_e$	$0.85...1.1 \times U_e$	$0.85...1.1 \times U_e$	$0.85...1.1 \times U_e$	$0.85...1.1 \times U_e$
Operating time ¹⁾	90° I - 0, 0 - I	110...240 V AC/DC 24 V DC	s	0.5...1.0				
Nominal current I_n ¹⁾		220-240 VAC	s		0.5...1.0	0.5...1.0	0.5...1.5	1.0...2.0
Current inrush ¹⁾		220-240 VAC	A		0,3	0,5	0,9	1,4
Overload fuse	Type / I_n / Capacity	220-240 VAC	mA		T / 315 / H	T / 500 / H	T / 1000 / H	T / 2000 / H
Operating rate	Max. continuous		mm		5x20	5x20	5x20	5x20
	Max. short-time ≤ 10 cycles		cycles / min	1	1	1	1	0,5
Overvoltage category			cycles / min	10	10	10	10	5
Rated impulse withstand voltage U_{imp}			kV	4	4	4	4	4
Dielectric strength		50 Hz 1 min.	kV	1,5	1,5	1,5	1,5	1,5
Impulse command		Min. impulse duration	ms	100	100	100	100	100
Terminals								
Voltage supply wiring for U_e				PE - N - L	PE - N - L	PE - N - L	PE - N - L	PE - N - L
Cross section		solid/stranded	mm ²	1.5...2.5	1.5...2.5	1.5...2.5	1.5...2.5	1.5...2.5
Short-circuit protection device		max.MCB/ fuse size	A	16	16	16	16	16
Control terminal for the push -buttons				C - I - 0	C - I - 0	C - I - 0	C - I - 0	C - I - 0
Push-button control				no SELV	no SELV	no SELV	no SELV	no SELV
Cross section		solid/stranded	mm ²	1.5 - 2.5	1.5 - 2.5	1.5...2.5	1.5...2.5	1.5...2.5
Maximum cable length			m	100	100	100	100	100
Terminal for state information		solid/stranded	mm ²	1,5				
State information of locking					no SELV	no SELV	no SELV	no SELV
Common, voltage supply		11		3A/AC-1/250V				
Handle attached or motor operator locked		14		3A/AC-1/250V				
Locking motor operator		11-12-14 (C/O)	cos=1		5A/250V	5A/250V	5A/250V	5A/250V
Short-circuit protection device		23-24 (NO)	cos=1		5A/250V	5A/250V	5A/250V	5A/250V
Protection degree (front panel)		MCB type and size	A	C/2A	C/2A	C/2A	C/2A	C/2A
Operating temperature				IP20	IP20	IP20	IP20	IP20
Transportation and storage temperature			°C	-25...+55	-25...+55	-25...+55	-25...+55	-25...+55
Max. altitude			°C	-40...+70	-40...+70	-40...+70	-40...+70	-40...+70
			m	2 000	2 000	2 000	2 000	2 000

¹⁾ Under nominal conditions.

Motorized switch-disconnectors

Ordering information

4



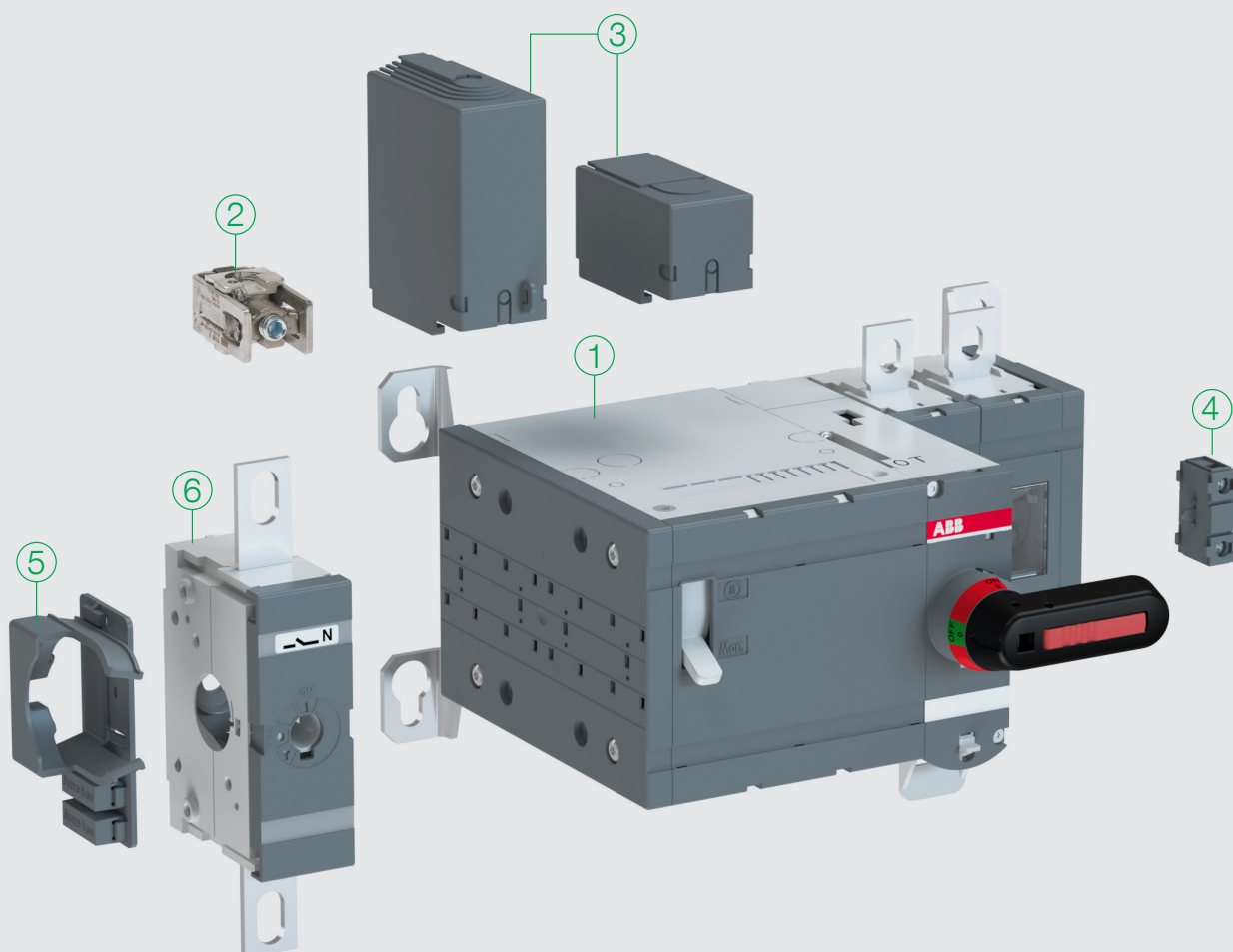
Accessory guide for OTM40...125

- | | |
|----------------------------------|--------------------------------------|
| 1. Motorized switch-disconnector | 4. Auxiliary contact |
| 2. Terminal clamp | 5. Storage clip for handle and fuses |
| 3. Terminal shroud | 6. Detachable neutral link |

Please note that listed accessories are not automatically included in your order.

Motorized switch-disconnectors

Ordering information



Accessory guide for OTM160...2500

- | | |
|----------------------------------|--------------------------------------|
| 1. Motorized switch-disconnector | 4. Auxiliary contact |
| 2. Terminal clamp | 5. Storage clip for handle and fuses |
| 3. Terminal shroud | 6. Detachable neutral link |

Please note that listed accessories are not automatically included in your order.

Motorized switch-disconnectors, IEC

Ordering information



OTM40...125F3M_



OTM40...125F4M_

Motorized switch-disconnectors, IEC

Including a handle for manual operation and terminal clamps.

Type codes for motor voltage $U_e = 220...240$ VAC.

Rated current		Number of poles	Type	Order code	Weight/ unit [kg]
AC-22A $\leq 690V$ [A]	AC-23A 415/690V [A]				
40	40/40	3	OTM40F3M230V	1SCA122972R1001	1.13
63	63/40	3	OTM63F3M230V	1SCA122971R1001	1.13
80	80/40	3	OTM80F3M230V	1SCA122970R1001	1.13
100	80/40	3	OTM100F3M230V	1SCA122969R1001	1.13
125	90/50	3	OTM125F3M230V	1SCA122968R1001	1.13
40	40/40	4	OTM40F4M230V	1SCA122977R1001	1.24
63	63/40	4	OTM63F4M230V	1SCA122976R1001	1.24
80	80/40	4	OTM80F4M230V	1SCA122975R1001	1.24
100	80/40	4	OTM100F4M230V	1SCA122974R1001	1.24
125	90/50	4	OTM125F4M230V	1SCA122973R1001	1.24

Handle included as standard

Suitable for switch disconnectors	Handle+shaft kit
OTM40...125	OH65D6CM

Motorized switch-disconnectors, IEC

Ordering information



OTM315...400E3M_



OTM630...800E3M_

Motorized switch-disconnectors, IEC

Including a handle for manual operation, bolt kit with nut and washers for all terminals, male connectors for control circuit and a handle and spare fuse storage clip.

Type codes for motor voltage $U_e = 220...240$ VAC, see table below.

IEC type with standard phase distance.

Rated current		Motor operator	Number of poles	Type	Order code	Weight/ unit [kg]
AC-22A \leq 690V [A]						
160/160	AC	3	OTM160E3M230C	1SCA115283R1001	4.6	
160/160	AC	4	OTM160E4M230C	1SCA115293R1001	5.0	
200/200	AC/DC	2	OTM200E2M230V	1SCA121184R1001	4.3	
200/200	AC	3	OTM200E3M230C	1SCA115284R1001	4.6	
200/200	AC	4	OTM200E4M230C	1SCA115292R1001	5.0	
250/250	AC/DC	2	OTM250E2M230V	1SCA121185R1001	4.3	
250/250	AC	3	OTM250E3M230C	1SCA115285R1001	4.6	
250/250	AC	4	OTM250E4M230C	1SCA115290R1001	5.0	
315/315	AC/DC	2	OTM315E2M230V	1SCA121189R1001	7.7	
315/315	AC	3	OTM315E3M230C	1SCA115334R1001	8.4	
315/315	AC	4	OTM315E4M230C	1SCA115335R1001	9.0	
400/400	AC/DC	2	OTM400E2M230V	1SCA121199R1001	7.7	
400/400	AC	3	OTM400E3M230C	1SCA115333R1001	8.4	
400/400	AC	4	OTM400E4M230C	1SCA115336R1001	9.0	
630/630	AC/DC	2	OTM630E2M230V	1SCA121190R1001	11.6	
630/630	AC	3	OTM630E3M230C	1SCA115354R1001	17.4	
630/630	AC	4	OTM630E4M230C	1SCA115357R1001	18.9	
800/800	AC/DC	2	OTM800E2M230V	1SCA121197R1001	11.6	
800/800	AC	3	OTM800E3M230C	1SCA115355R1001	17.4	
800/800	AC	4	OTM800E4M230C	1SCA115356R1001	18.9	
1000/1000	AC/DC	2	OTM1000E2M230V	1SCA121396R1001	32.4	
1000/1000	AC	3	OTM1000E3M230C	1SCA115364R1001	37.0	
1000/1000	AC	4	OTM1000E4M230C	1SCA115368R1001	42.0	
1250/1250	AC/DC	2	OTM1250E2M230V	1SCA121193R1001	32.4	
1250/1250	AC	3	OTM1250E3M230C	1SCA115365R1001	37.0	
1250/1250	AC	4	OTM1250E4M230C	1SCA115367R1001	42.0	
1600/1250	AC	3	OTM1600E3M230C	1SCA115366R1001	39.0	
1600/1250	AC	4	OTM1600E4M230C	1SCA115369R1001	44.0	
2000 ¹⁾ /-	AC/DC	2	OTM2000E2M230V	1SCA121201R1001	32.4	
2000 ¹⁾ /-	AC	3	OTM2000E3M230C	1SCA115372R1001	47.0	
2000 ¹⁾ /-	AC	4	OTM2000E4M230C	1SCA115374R1001	55.0	
2500 ¹⁾ /-	AC/DC	2	OTM2500E2M230V	1SCA121195R1001	32.4	
2500 ¹⁾ /-	AC	3	OTM2500E3M230C	1SCA115373R1001	47.0	
2500 ¹⁾ /-	AC	4	OTM2500E4M230C	1SCA115375R1001	55.0	

¹⁾ Category B, infrequent operation

Handle and bolt kits included as standard

Suitable for switch disconnectors	Handle+shaft kit	Bolt kit
OTM160...250	OTV250EMK	M8x25
OTM315...400	OTV400EMK	M10x30
OTM630...800	OTV800EMK	M12x40

Motorized switch-disconnectors, IEC

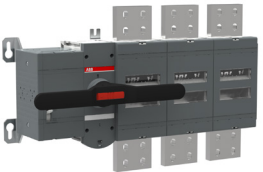
Ordering information



OTM1000...1250E3M_



OTM1600E3M_



OTM2000...2500EM_

Motorized switch-disconnectors OTM, IEC

Including a handle for manual operation, bolt kit with nut and washers for all terminals, male connectors for control circuit and a handle and spare fuse storage clip.

Type codes for motor voltage $U_e = 220...240$ VAC, see table below.

IEC type with standard phase distance.

Rated current		Motor operator	Number of poles	Type	Order code	Weight/ unit [kg]
AC-22A \leq 690V [A]						
1000/1000	AC/DC	2	OTM1000E2M230V	1SCA121396R1001	32.4	
1000/1000	AC	3	OTM1000E3M230C	1SCA115364R1001	37.0	
1000/1000	AC	4	OTM1000E4M230C	1SCA115368R1001	42.0	
1250/1250	AC	2	OTM1250E2M230V	1SCA121193R1001	32.4	
1250/1250	AC	3	OTM1250E3M230C	1SCA115365R1001	37.0	
1250/1250	AC	4	OTM1250E4M230C	1SCA115367R1001	42.0	
1600/1250	AC	3	OTM1600E3M230C	1SCA115366R1001	39.0	
1600/1250	AC	4	OTM1600E4M230C	1SCA115369R1001	44.0	
2000 ¹⁾ /-	AC	2	OTM2000E2M230V	1SCA121201R1001	32.4	
2000 ¹⁾ /-	AC	3	OTM2000E3M230C	1SCA115372R1001	47.0	
2000 ¹⁾ /-	AC	4	OTM2000E4M230C	1SCA115374R1001	55.0	
2500 ¹⁾ /-	AC	2	OTM2500E2M230V	1SCA121195R1001	32.4	
2500 ¹⁾ /-	AC	3	OTM2500E3M230C	1SCA115373R1001	47.0	
2500 ¹⁾ /-	AC	4	OTM2500E4M230C	1SCA115375R1001	55.0	
3800/-	AC	3	OTM3200E3M230C	1SCA129196R1001	47.0	
3800/-	AC	4	OTM3200E4M230C	1SCA129198R1001	55.0	
4000/-	AC	3	OTM4000E3M230C	1SCA129195R1001	51.0	
4000/-	AC	4	OTM4000E4M230C	1SCA129197R1001	61.0	

¹⁾ Category B, infrequent operation

Handle and bolt kits included as standard

Suitable for switch disconnectors	Handle+shaft kit	Bolt kit
OTM1000...1250	OTV1000EMK	M12X50
OTM1600...2500	OTV1000EMK	M12X60

Motorized switch-disconnectors, IEC

Ordering information



OTM160...250E3WM_



OTM160...250E4WM_

Motorized switch-disconnectors OTM with wide phase distance, IEC

Including a handle for manual operation, bolt kit with nut and washers for all terminals, male connectors for control circuit and a handle and spare fuse storage clip.

Type codes for motor voltage $U_e = 220...240$ VAC, see table below.

Rated current		Motor operator	Number of poles	Type	Order code	Weight/unit [kg]
AC-22A ≤ 690 V [A]						
160/160	AC		3	OTM160E3WM230C	1SCA115286R1001	4.7
160/160	AC		4	OTM160E4WM230C	1SCA115295R1001	5.1
200/200	AC		2	OTM200E2WM230V	1SCA121187R1001	4.3
200/200	AC		3	OTM200E3WM230C	1SCA115288R1001	4.7
200/200	AC		4	OTM200E4WM230C	1SCA115296R1001	5.1
250/250	AC		2	OTM250E2WM230V	1SCA121188R1001	4.3
250/250	AC		3	OTM250E3WM230C	1SCA115289R1001	4.7
250/250	AC		4	OTM250E4WM230C	1SCA115297R1001	5.1
4000/-	AC		3	OTM4000E3W8M230C	1SCA129218R1001	51.5
4000/-	AC		4	OTM4000E3W8M230C	1SCA129218R1001	51.5

Handle and bolt kits included as standard

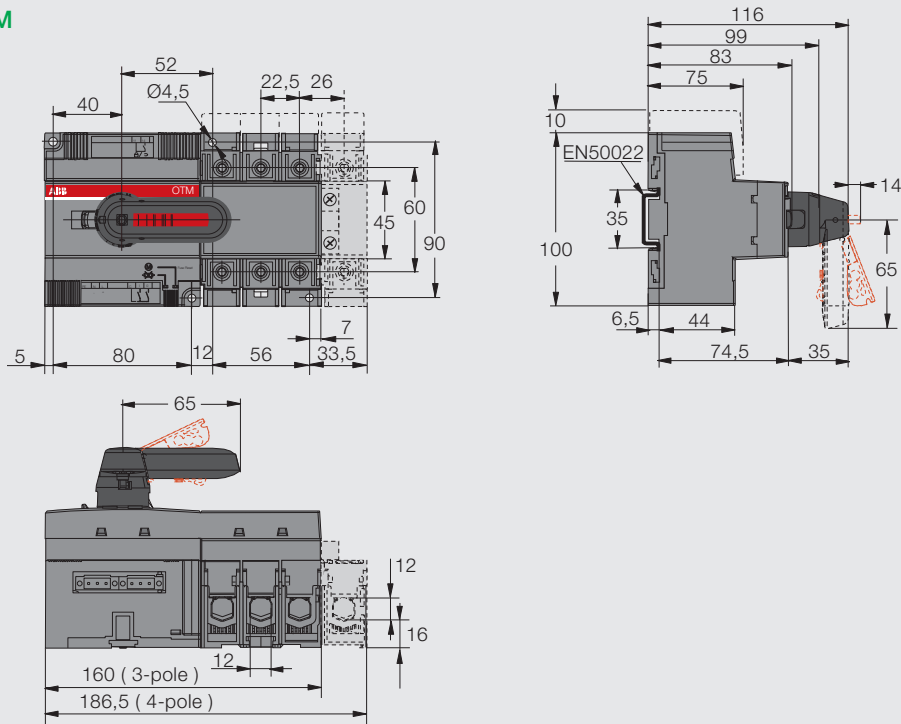
Suitable for switch disconnectors	Handle+shaft kit	Bolt kit
OTM160...250	OTV250EMK	M8x25

Motorized switch-disconnectors

Dimensional drawings

Motorized switch-disconnectors, base mounting, IEC

OTM40...125F_M



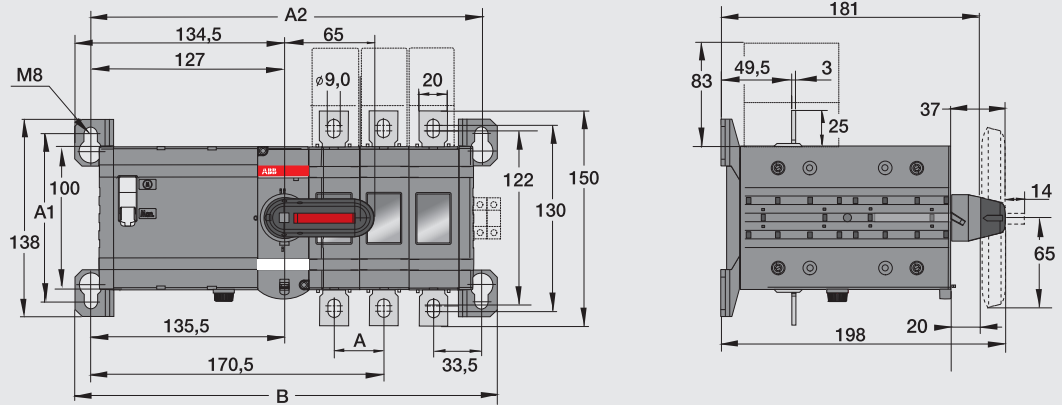
M00353/OTM30-125F_M B

Motorized switch-disconnectors

Dimensional drawings

Motorized switch-disconnectors, base mounting, IEC

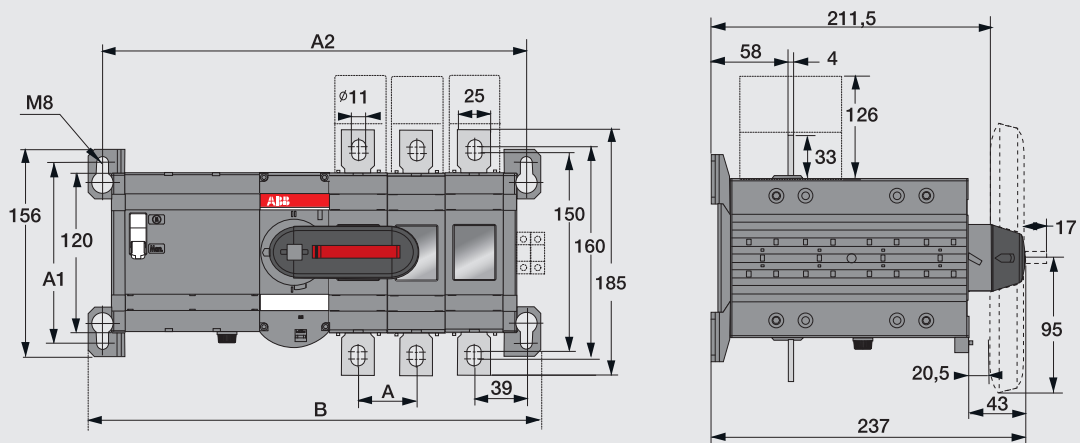
OTM160...250E_M



OTM160-250_M			
[mm]	E2	E3	E4
A	35	35	35
A1	118	118	118
A2	239	274	309
B	261	296	331

M00276/OTM160-250E2_4 B

OTM315...400E_M



OTM315-400_M			
[mm]	E2	E3	E4
A	44	44	44
A1	136	136	136
A2	276	320	364
B	298	342	386

M00278/OTM315-400E2_4 B

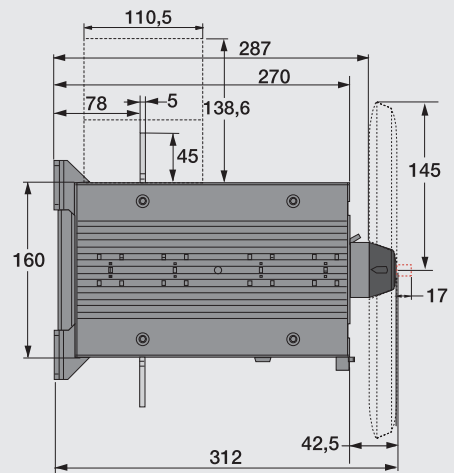
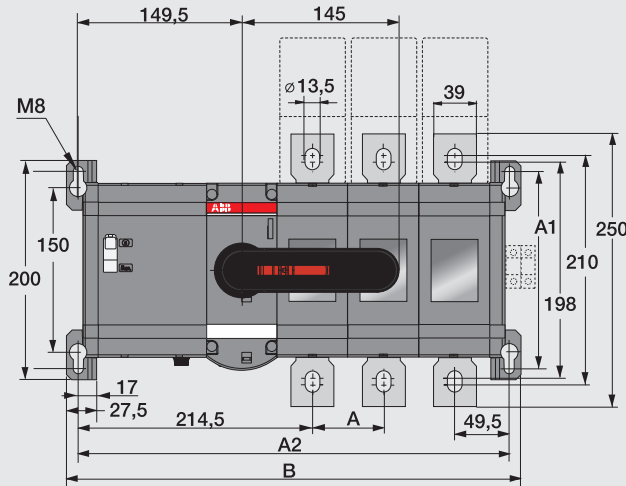
Motorized switch-disconnectors

Dimensional drawings

4

Motorized switch-disconnectors, base mounting, IEC

OTM630...800E_M

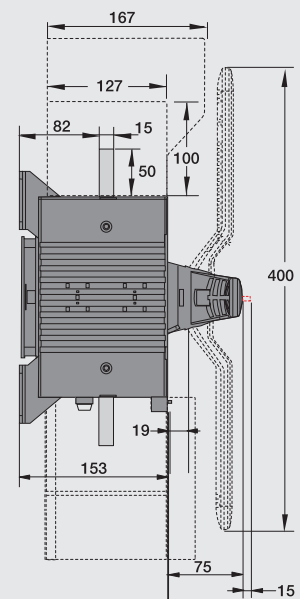
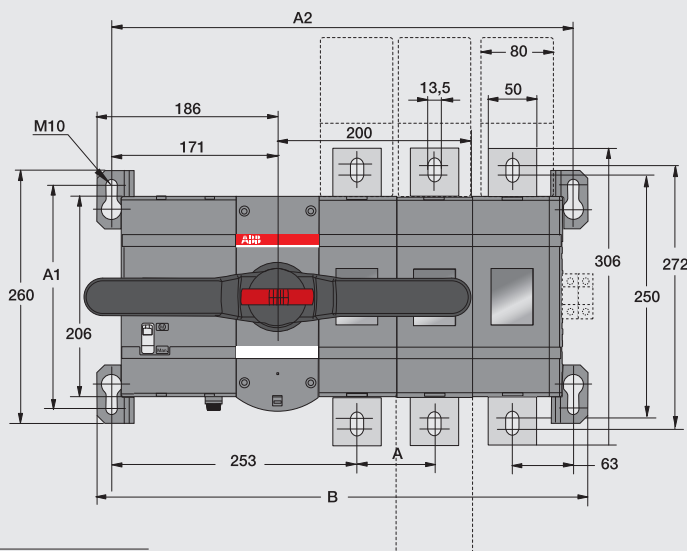


OTM630-800_M

[mm]	E2	E3	E4
A	65	65	65
A1	180	180	180
A2	329	394	459
B	350	415	480

M00281/OTM630-800E2_4 B

OTM1000...1250E_M



OTM1000-1250_M

[mm]	E2	E3	E4
A	80	80	80
A1	230	230	230
A2	396,5	476,5	556,5
B	426,5	506,5	586,5

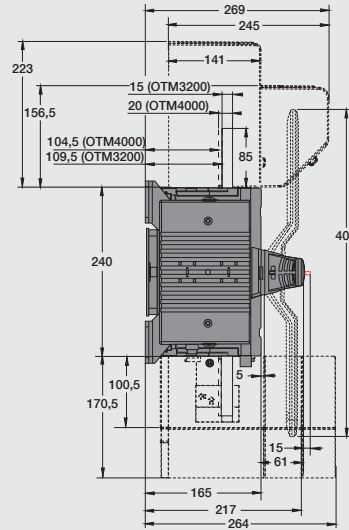
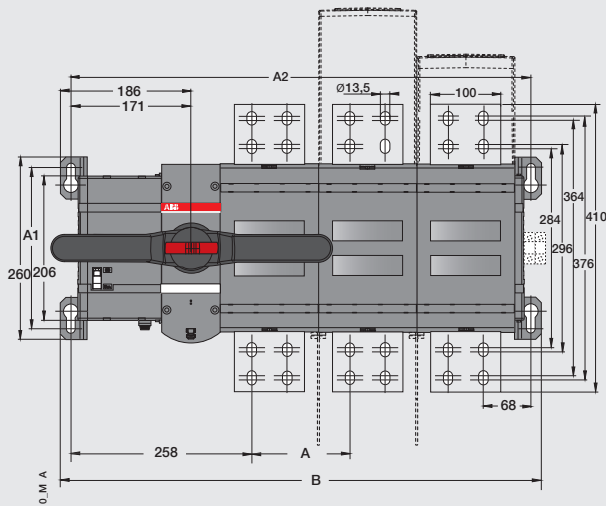
M00282/OTM1000-1250E_M B

Motorized switch-disconnectors

Dimensional drawings

Motorized switch-disconnectors, base mounting, IEC

OTM3200...4000_M



OTM3200-4000-M

[mm]	E2	E3	E4
A	140	140	140
A1	230	230	230
A2	516,5	656,5	796,5
B	546,5	686,5	826,5

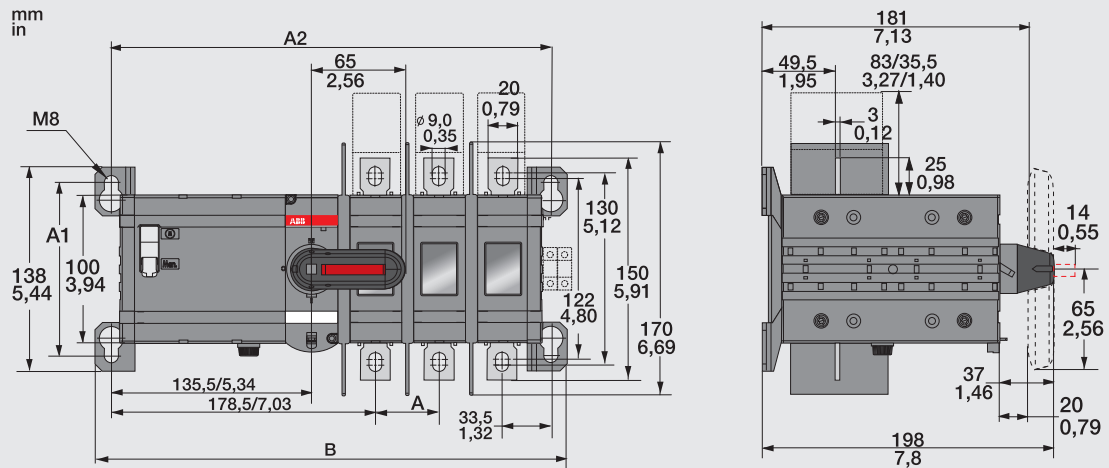
M00433/OTM3200-4000_M A

Motorized switch-disconnectors

Dimensional drawings

Motorized switch-disconnectors with wide phase distance, base mounting, IEC

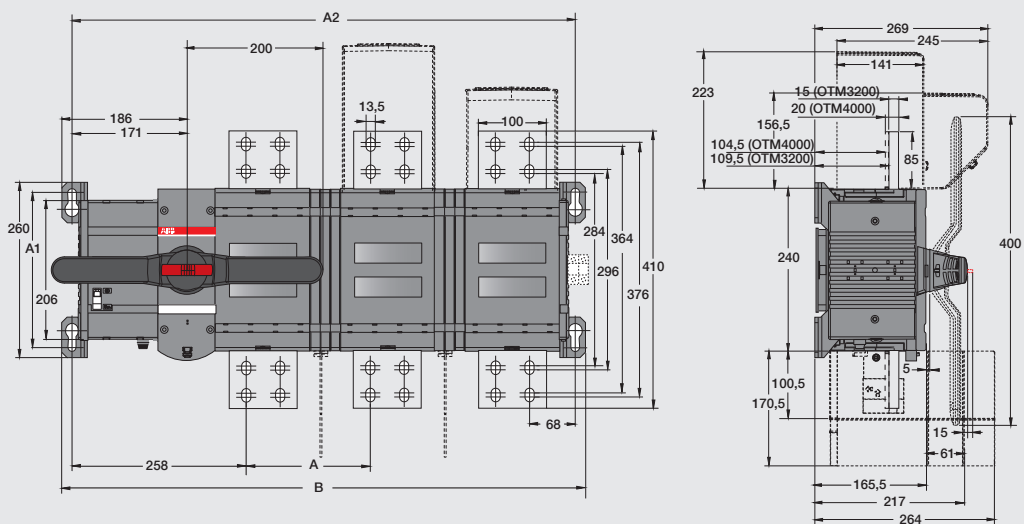
OTM160...250E_WM



OTM160-250_WM			
[mm/in]	E2W	E3W	E4W
A	43/1,69	43/1,69	43/1,69
A1	118/4,65	118/4,65	118/4,65
A2	255/10,05	298/11,74	341/13,43
B	277/10,91	320/12,61	363/14,3

M07014/OTM160...250E_WM2_4 A

OTM_3200...4000_W8M



OTM3200-4000_W8M			
[mm]	E2	E3	E4
A	185	185	185
A1	230	230	230
A2	516,5	746,5	931,5
B	591,5	776,5	961,5

M00434/OTM3200-4000_W8M A

Accessories for motorized switch-disconnectors

Ordering information for handle accessories



OTVS2

4

Handle and spare fuse storage clip for motorized switches OTM_

OTM40...125F, the handle can be stored in the handle storage clip OTVS0. The clip can be fixed to a panel frame using the included adhesive tape. OTM160...4000, the handle and two spare fuses can be stored in the OTVS1 and OTVS2. OTVS1 and OTVS2 can be installed onto the left side of the motorized switch-disconnector OTM. Snap-on mounting, no tools required. On OTM1000...4000E_, the size of the handle prevents the installation onto the switch frame. However, the handle clip can be installed separately onto the panel frame and the fuse holder clip onto the switch frame.

Suitable for switches	Type	Order number	Weight/ type [kg]
OTM40...125F	OTVS0	1SCA117524R1001	0.02
OTM160...250E	OTVS1	1SCA111413R1001	0.02
OTM315...4000E	OTVS2	1SCA111414R1001	0.04

Accessories for motorized switch-disconnectors

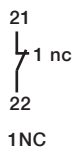
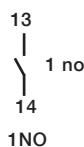
Ordering information for auxiliary contacts



OA1G10, OA8G01, OA3G01



OA2G11



Auxiliary contacts for OTM40...4000, IP20

Contact numbering according to EN 50013. Types _AU have gold plated contacts for harsh environments and low operating voltages. Auxiliary contacts are mountable on right side in types OTM40...4000 or under the mechanism cover in types OTM160...4000. Early break type auxiliary contacts means that in the switches, the NO aux.contacts break before the main contacts open.

In types with auxiliary contacts mountable under the mechanism cover, the "test" contacts operate in ON- and OFF-positions as well as when the handle is turned to TEST-position (45° over the OFF-position). The "test indication" contacts operate only when the handle is turned to TEST-position. The OA1G10 (N.O.) or OA3G01 (N.C.) auxiliary contact blocks can be used as standard auxiliary contacts, "test" or "test indication" contacts. The desired functions are achieved when an auxiliary contact block is installed in a specific place.



See next pages for performance data, functions and contact timing.

Suitable for switches	Function	Type	Order number	Weight/unit [kg]
Mounting on the right side OTM40...125				
Maximum 2 auxiliary contact blocks, snap-on mounting				
OTM40...125	1NO, early break	OA1G10	1SCA022353R4970	0.03
OTM40...125	1NC, early make	OA8G01	1SCA022744R2240	0.03
OTM40...125	1NO, early break	OA1G10AU	1SCA022436R7910	0.03
OTM40...125F3	1NO+1NC, simultaneous function with the main contacts	OA2G11	1SCA022379R8100	0.03
Mounting on the right side OTM160...4000:				
Maximum 2+2 auxiliary contact blocks (N.O. or N.C.), snap-on mounting.				
OTM160...4000	1NO, early break	OA1G10	1SCA022353R4970	0.03
OTM160...4000	1NC, early make	OA3G01	1SCA022456R7410	0.03
OTM160...4000	1NO, early break	OA1G10AU	1SCA022436R7910	0.03
OTM160...4000	1NC, early make	OA3G01AU	1SCA022819R5260	0.03
Mounting under the mechanism cover OTM160...4000:				
See next page for maximum number of contact blocks, "Aux./test" contacts and "test indication".				
OTM160...4000	1NO, early break	OA1G10	1SCA022353R4970	0.03
OTM160...4000	1NC, early make	OA3G01	1SCA022456R7410	0.03
OTM160...4000	1NO, early break	OA1G10AU	1SCA022436R7910	0.03
OTM160...4000	1NC, early make	OA3G01AU	1SCA022819R5260	0.03

Mounting under the mechanism cover, OTM160...4000:	Maximum number of contact blocks	Aux./Test contacts	Test indication contacts
OTM160...250	2	2	-
OTM315...400	4	-	4
OTM630...800	4	-	4
OTM 1000...4000	6	2 ¹⁾	4

¹⁾ Early operation test contact

Accessories for motorized switch-disconnectors

Technical data for auxiliary contacts

Performance data of auxiliary contacts according to IEC 60947-5-1

For OA1G_, OA2G_, OA3G_, OA8G_

AC15		DC12			DC13	
U _e /[VAC]	I _e /[A]	U _e /[VDC]	I _e /[A]	P/[W]	I _e /[A]	P/[W]
230	6	24	10	240	2	50
400	4	72	4	290	0.8	60
415	4	125	2	250	0.55	70
690	2	250	0.55	140	0.27	70
		440	0.1	44		

For OA1G_, OA2G_, OA3G_, OA8G_

U _e /[V]	690
U _{imp} /[kV]	4
Pollution degree	3
I _{th} /[A]	16
Cable size	1...2 x 0.75...2.5 mm ² , use pin-head terminals for other wire sizes
Maximum fuse	16A / gG
NEMA	A600, R300, wire size: 18 - 14 AWG, 1(2)

Accessories for motorized switch-disconnectors

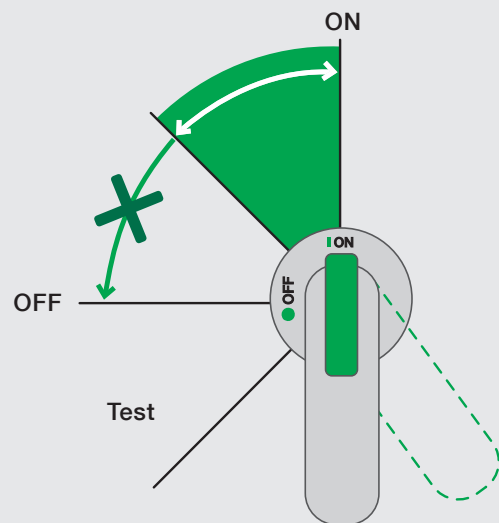
Technical data for auxiliary contacts

Function table of OTM160...4000 auxiliary contacts

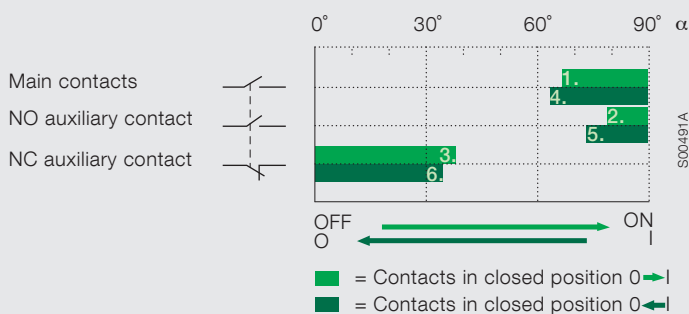
Handle position	Main contacts	Aux./Test contacts N.O.	Test indication contacts N.O.
Test	open	closed	closed
0	open	open	open
I	closed	closed	open

Handle indications and functions

- The handle indicates the position of the main contacts of the switch with complete reliability in all situations. If the contacts are welded together, the handle does not reach the OFF-position but remains between ON and OFF, maintaining the door interlock and preventing padlocking.
- When operating the switch to the Test-position with a test handle, the test auxiliary contacts change position. The main contacts remain open.



ON and OFF-functions of main and auxiliary contacts

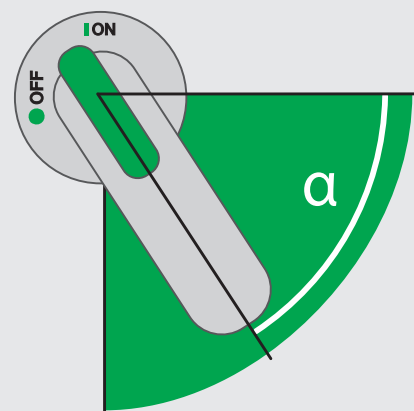


Closing:

1. Main contacts close
2. NO auxiliary contacts close
3. NC auxiliary contacts open

Opening:

4. Main contacts open
5. NO auxiliary contacts open
6. NC auxiliary contacts close



Accessories for motorized switch-disconnectors

Ordering information for fourth poles, neutral and earth terminals



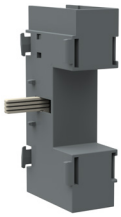
OTPS60FP

Fourth poles, simultaneous function with the main contacts

Mountable on the side of the 3-pole switch without wide phase distances.

Suitable for switches	Type	Order number	Weight/unit [kg]
OTM40	OTPS60FP	1SCA111009R1001	0.14
OTM63...125	OTPS125FP	1SCA105099R1001	0.30

4



OTPL125FP

Fourth poles, late-break and early-make

Mountable on the side of the switch.

Suitable for switches	Type	Order number	Weight/unit [kg]
OTM40	OTPL60FP	1SCA111004R1001	0.14
OTM63...125	OTPL125FP	1SCA105090R1001	0.30

*) N1=On the left side of the switch
N2=On the right side of the switch



OTPN125FP

Fixed neutral

Mountable on the side of the switch.

Suitable for switches	Type	Order number	Weight/unit [kg]
OTM40	OTPN60FP	1SCA117606R1001	0.14
OTM63...125	OTPN125FP	1SCA105090R1001	0.30

Protective earth

Mountable on the side of the switch.

Suitable for switches	Type	Order number	Weight/unit [kg]
OTM40	OTPE60FP	1SCA111016R1001	0.14
OTM63...125	OTPE125FP	1SCA105090R1001	0.30



OXN250 OXN400

Neutral links

Detachable, mountable separately to the base plate

Suitable for switches	I_n [A]	Type	Order number	Weight/unit [kg]
OTM160...250	250	OXN250	1SCA022752R9950	0.26
OTM315...400	400	OXN400	1SCA022770R3060	0.70
OTM630...800	800	OXN800T	1SCA022829R0840	0.96
OTM1000...2500	1250	OXN1250T	1SCA104162R1001	2.20



OXN1250T

Accessories for motorized switch-disconnectors

Ordering information for terminal shrouds



OTS125T3

Terminal shrouds for OTM switches, snap-on mounting, transparent

Suitable for switches	Type	Order number	Weight/unit [kg]
OTM40...125, 3 pole	OTS125T3	1SCA022379R9680	0.01
OTM40...125, for fourth pole	OTS125T1	1SCA022379R9760	0.01



OTS125T1

Terminal shrouds for OTM switches, snap-on mounting, grey

Pack of single pole shrouds, IP3X.



OTS400G1S



OTS800G1S



OTS1600G1L



OTS1600G1S



OTS2500G1L



OTS2500G1S



OTS4000G1S/3



OTS4000G1S/4

Suitable for switches	Description	Type	Order number	Units/ type [pcs]	Weight/ unit [kg]
For 3-pole OTM switches					
OTM160...250	Long type	OTS250G1L/3	1SCA022731R8150	3	0.09
	Short type	OTS250G1S/3	1SCA022731R8310	3	0.06
OTM315...400	Long type	OTS400G1L/3	1SCA022736R8840	3	0.15
	Short type	OTS400G1S/3	1SCA022736R9060	3	0.09
OTM630...800	Long type	OTS800G1L/3	1SCA022776R7890	3	0.32
	Short type	OTS800G1S/3	1SCA022776R8190	3	0.17
TM1000...1600	Long type	OTS1600G1L/3	1SCA022871R9510	3	0.60
	Short type	OTS1600G1S/3	1SCA022871R9600	3	0.40
TM2000...2500	Long type	OTS2500G1L/3	1SCA107261R1001	3	1.00
	Short type	OTS2500G1S/3	1SCA107260R1001	3	0.50
TM3200...4000	Long type	OTS4000G1L/3	1SCA129042R1001	3	1.0
	Short type	OTS4000G1S/3	1SCA129044R1001	3	1.2
For 4-pole OTM switches					
OTM160...250	Long type	OTS250G1L/4	1SCA022731R8230	4	0.12
	Short type	OTS250G1S/4	1SCA022731R8400	4	0.08
OTM315...400	Long type	OTS400G1L/4	1SCA022736R9490	4	0.20
	Short type	OTS400G1S/4	1SCA022736R9650	4	0.12
OTM630...800	Long type	OTS800G1L/4	1SCA022776R7970	4	0.42
	Short type	OTS800G1S/4	1SCA022776R8270	4	0.26
OTM1000...1600	Long type	OTS1600G1L/4	1SCA022871R9780	4	0.80
	Short type	OTS1600G1S/4	1SCA022871R9860	4	0.50
OTM2000...2500	Long type	OTS2500G1L/4	1SCA107262R1001	4	1.30
	Short type	OTS2500G1S/4	1SCA107271R1001	4	0.70
OTM3200...4000	Long type	OTS4000G1L/4	1SCA129043R1001	4	1.4
	Short type	OTS4000G1S/4	1SCA129045R1001	4	1.6

Accessories for motorized switch-disconnectors

Ordering information terminal clamps



OZXT1-1



OZXT6

Terminal clamp sets for Al- and Cu-cables, insulated versions

Suitable for switches	Cable cross section [mm ²]	Type	Order number	Units/type [pcs]	Weight/unit [kg]
OTM40...125	16...50 Al, 2.5...50 Cu	OZXT1**)	1SCA022469R6310	3	0.05
OTM63...125	2x(16...50) Al/Cu	OZXT3	1SCA022639R0720	3	0.21
Including 0.75...2.5 mm² voltage sensing connection. Voltage sensing wires are not included					
OTM40...125	16...50 Al/2.5...50 Cu	OZXT6	1SCA122537R1001	3	0.06

**_nI_n=63 A

4



OZXB1L



OZXB2



OZXB2L



OZXB3



OZXB4



OZXB7



OZXB8



OZXB9

Terminal clamp sets for Al- and Cu-cables

All terminal clamp deliveries include a 6 piece bolt set:
OZXE51 (M8x25), OZXE54 (M10x30) and OZXE3 (M12x40)

Suitable for switches	Cable cross section [mm ²]	Suitable shroud type	Terminal clamp type	Order number	Units/type [pcs]	Weight/unit [kg]	
OTM40...125	10...70		OZXL1	1SCA022439R6770	3	0.14	
	10...70		OZXL1/1	1SCA022469R6220	1	0.05	
OZXB type Al/Cu connectors made of stainless steel							
OTM160EV...250	10...70	OTS250_L	OZXB1L	1SCA022169R2030	3	0.15	
	10...70	OTS250_L	OZXB1L/1	1SCA022194R0030	1	0.05	
	25...120	OZXB2K	OZXB2	1SCA022119R7610	3	0.34	
	25...120	OZXB2K	OZXB2/1	1SCA022194R0200	1	0.12	
	25...120	OZXB2K	OZXB2L	1SCA022158R7750	3	0.43	
	25...120	OZXB2K	OZXB2L/1	1SCA022194R0460	1	0.15	
	95...185	OTS250_L	OZXB8	1SCA022744R1510	3	0.50	
	95...185	OTS250_L	OZXB8/1	1SCA022744R1600	1	0.15	
	95...240	OTS250_L	OZXB9	1SCA022750R3210	3	0.50	
	95...240	OTS250_L	OZXB9/1	1SCA022750R3300	1	0.14	
	OTM315...400	25...120	OZXB2K	OZXB2L	1SCA022158R7750	3	0.43
		25...120	OZXB2K	OZXB2L/1	1SCA022194R0460	1	0.15
		95...185	OZXB3K	OZXB3	1SCA022136R8100	3	1.28
		95...185	OZXB3K	OZXB3/1	1SCA022194R0620	1	0.13
2x(95...185)		OZXB3K	OZXB4	1SCA022137R4760	3	1.71	
2x(95...185)		OZXB3K	OZXB4/1	1SCA022194R0890	1	0.60	
120...240		OZXB5K	OZXB7	1SCA022185R0040	3	1.00	
120...240		OZXB5K	OZXB7/1	1SCA022194R1430	1	0.34	
120...240		OZXB5K	OZXB7L	1SCA022185R7130	3	1.20	
120...240		OZXB5K	OZXB7L/1	1SCA022194R1600	1	0.39	
95...185		OTS400_L	OZXB8	1SCA022744R1510	3	0.50	
95...185		OTS400_L	OZXB8/1	1SCA022744R1600	1	0.15	
OTM630...800	95...240	OTS400_L	OZXB9	1SCA022750R3210	3	0.50	
	95...240	OTS400_L	OZXB9/1	1SCA022750R3300	1	0.14	
	120...300	OZXB4K	OZXB5	1SCA022137R2470	3	2.22	
	120...300	OZXB4K	OZXB5/1	1SCA022194R1010	1	0.80	
	2x(120...300)	OZXB4K	OZXB6	1SCA022137R4920	3	3.03	
	2x(120...300)	OZXB4K	OZXB6/1	1SCA022194R1270	1	1.00	

Accessories for motorized switch-disconnectors

Ordering information for terminal clamps



OZXB3



OZXB4



OZXB5



OZXB6



OZXB7L

Terminal clamp sets for Al- and Cu-cables

Suitable for switches	Cable cross section [mm ²]	Suitable shroud type	Terminal clamp type	Order number	Units/type [pcs]	Weight/unit [kg]
OZXB type Al/Cu connectors made of stainless steel						
OTM1000...1600	95...185	OTS1600_L	OZXB3	1SCA022136R8100	3	1.28
	95...185	OTS1600_L	OZXB3/1	1SCA022194R0620	1	0.13
	2x(95...185)	OTS1600_L	OZXB4	1SCA022137R4760	3	1.71
	2x(95...185)	OTS1600_L	OZXB4/1	1SCA022194R0890	1	0.60
	120...300	OTS1600_L	OZXB5	1SCA022137R2470	3	2.22
	120...300	OTS1600_L	OZXB5/1	1SCA022194R1010	1	0.80
	2x(120...300)	OTS1600_L	OZXB6	1SCA022137R4920	3	3.03
	2x(120...300)	OTS1600_L	OZXB6/1	1SCA022194R1270	1	1.00
	120...240	OTS1600_L	OZXB7L	1SCA022185R7130	3	1.20
120...240	OTS1600_L	OZXB7L/1	1SCA022194R1600	1	0.39	
OTM2000...2500	95...185	OTS2500_L	OZXB3	1SCA022136R8100	3	1.28
	95...185	OTS2500_L	OZXB3/1	1SCA022194R0620	1	0.13
	2x(95...185)	OTS2500_L	OZXB4	1SCA022137R4760	3	1.71
	2x(95...185)	OTS2500_L	OZXB4/1	1SCA022194R0890	1	0.60
	120...300	OTS2500_L	OZXB5	1SCA022137R2470	3	2.22
	120...300	OTS2500_L	OZXB5/1	1SCA022194R1010	1	0.80
	2x(120...300)	OTS2500_L	OZXB6	1SCA022137R4920	3	3.03
	2x(120...300)	OTS2500_L	OZXB6/1	1SCA022194R1270	1	1.00
	120...240	OTS2500_L	OZXB7L	1SCA022185R7130	3	1.20
120...240	OTS2500_L	OZXB7L/1	1SCA022194R1600	1	0.39	



Switch-disconnectors

Index

Type	Order number	Description	Page	Type	Order number	Description	Page
OESAZW1	1SCA022064R3710	Accessories for manual switch-disconnectors OT16...160	55	OETLZW5	1SCA022052R3900	Cam attachment	143
OETLZW16	1SCA022093R2070	Accessories for manual switch-disconnectors OT16...160	60	PDAL2/24DC	1SCA106542R1001	Coils for OTZT_ and OTZM_ electrical interlocks	145
OTZW17	1SCA022387R1620	Accessories for manual switch-disconnectors OT16...160	56	PDAL2/110AC50Hz	1SCA106543R1001	Coils for OTZT_ and OTZM_ electrical interlocks	145
OTZW8	1SCA022421R7600	Accessories for manual switch-disconnectors OT16...160	55	PDAL2/110AC60Hz	1SCA107100R1001	Coils for OTZT_ and OTZM_ electrical interlocks	145
OTZW24	1SCA022639R5610	Accessories for manual switch-disconnectors OT16...160	56	PDAL2/208AC60Hz	1SCA107101R1001	Coils for OTZT_ and OTZM_ electrical interlocks	145
OWC6D40	1SCA022865R4550	Accessories for manual switch-disconnectors OT16...160	55	PDAL2/230AC50Hz	1SCA107102R1001	Coils for OTZT_ and OTZM_ electrical interlocks	145
OWC6D80	1SCA022865R4630	Accessories for manual switch-disconnectors OT16...160	55	PDAL2/48DC	1SCA107103R1001	Coils for OTZT_ and OTZM_ electrical interlocks	145
OWP6D40	1SCA022865R4800	Accessories for manual switch-disconnectors OT16...160	55	PDAL2/60DC	1SCA107104R1001	Coils for OTZT_ and OTZM_ electrical interlocks	145
OWP6D80	1SCA022865R5010	Accessories for manual switch-disconnectors OT16...160	55	PDAL2/110DC	1SCA107105R1001	Coils for OTZT_ and OTZM_ electrical interlocks	145
OWP6D125	1SCA022865R5100	Accessories for manual switch-disconnectors OT16...160	55	PDAL2/125DC	1SCA111338R1001	Coils for OTZT_ and OTZM_ electrical interlocks	145
OWC6D125	1SCA104494R1001	Accessories for manual switch-disconnectors OT16...160	55	PDAL2/24AC60Hz	1SCA111350R1001	Coils for OTZT_ and OTZM_ electrical interlocks	145
SA1	GJF1 101 903 R000	Accessories for manual switch-disconnectors OT16...160	60	PDAL2/120AC60Hz	1SCA111353R1001	Coils for OTZT_ and OTZM_ electrical interlocks	145
OHBS8	1SCA108545R1001	Adapter handles, for base and DIN-rail mounted installation switches	39	PDAL2/240AC60Hz	1SCA111356R1001	Coils for OTZT_ and OTZM_ electrical interlocks	145
OHBS7	1SCA108546R1001	Adapter handles, for base and DIN-rail mounted installation switches	39	PDAL2/220DC	1SCA112503R1001	Coils for OTZT_ and OTZM_ electrical interlocks	145
OHYS7	1SCA109852R1001	Adapter handles, for base and DIN-rail mounted installation switches	39	OETLZW13	1SCA022078R0460	Conversion kits, 6 and 8-pole, bypass switch mechanism	139
OHYS8	1SCA109862R1001	Adapter handles, for base and DIN-rail mounted installation switches	39	OTZW26	1SCA022778R7060	Conversion kits, 6 and 8-pole, bypass switch mechanism	139
OA1G01	1SCA022353R4890	Auxiliary contact blocks for OT16...125F/FT_ and OT160G_, IP20	48	OETLZW11	1SCA022078R0030	Conversion kits, 6 and 8-pole, change-over switch mechanism	139
OA2G11	1SCA022379R8100	Auxiliary contact blocks for OT16...125F/FT_ and OT160G_, IP20	48	OETLZW12	1SCA022078R0200	Conversion kits, 6 and 8-pole, change-over switch mechanism	139
OA2L11	1SCA022424R3190	Auxiliary contact blocks for OT16...125F/FT_ and OT160G_, IP20	48	OETLZW3	1SCA022049R0380	Conversion kits, 6 and 8-pole, mechanical interlock mechanism	139
OA1G01AU	1SCA022436R7830	Auxiliary contact blocks for OT16...125F/FT_ and OT160G_, IP20	48	OETLZW14	1SCA022077R3410	Conversion kits, 6 and 8-pole, mechanical interlock mechanism	139
OA1G10AU	1SCA022436R7910	Auxiliary contact blocks for OT16...125F/FT_ and OT160G_, IP20	48	OETLZW15	1SCA022081R9340	Conversion kits, 6 and 8-pole, mechanical interlock mechanism	139
OA1L11	1SCA022555R9870	Auxiliary contact blocks for OT16...125F/FT_ and OT160G_, IP20	48	OTZW10	1SCA022431R5280	Conversion kits, 6 and 8-pole, mechanical interlock mechanism	139
OA3L11	1SCA022555R9950	Auxiliary contact blocks for OT16...125F/FT_ and OT160G_, IP20	48	OESAZW9	1SCA022061R3300	Conversion kits, 6 and 8-pole, switch mechanism	139
OA1G10	1SCA022353R4970	Auxiliary contact blocks for OT160EV...4000, IP20	130	OESAZW2	1SCA022078R1600	Conversion kits, 6 and 8-pole, switch mechanism	139
OA3G01	1SCA022456R7410	Auxiliary contact blocks for OT160EV...4000, IP20	130	OTZW25	1SCA022778R6920	Conversion kits, 6 and 8-pole, switch mechanism	139
OEA28	1SCA022714R8810	Auxiliary contact blocks for OT160EV...4000, IP20	130	OTPD40FP	1SCA104994R1001	Detachable neutral	52
OA3G01AU	1SCA022819R5260	Auxiliary contact blocks for OT160EV...4000, IP20	130	OTPD125FP	1SCA105083R1001	Detachable neutral	52
OA8G01	1SCA022744R2240	Auxiliary contacts for OTM40...4000, IP20	171	OTPD80FD	1SCA105444R1001	Detachable neutral	52
				OTPD80FP	1SCA105445R1001	Detachable neutral	52
				OSGZD1	1SCA115688R1001	DIN-rail mounting kit	135
				OTV250EK	1SCA022763R2700	Direct mount handles	123
				OTV400EK	1SCA022763R2960	Direct mount handles	123
				OTVY400EK	1SCA022772R7830	Direct mount handles	123
				OTVY250EK	1SCA022772R7910	Direct mount handles	123
				OTV800EK	1SCA022804R6340	Direct mount handles	123

Switch-disconnectors

Index

Type	Order number	Description	Page
OTVY800EK	1SCA022810R2780	Direct mount handles	123
OTV1000EK	1SCA106608R1001	Direct mount handles	123
OTV1000EPK	1SCA121085R1001	Direct mount handles	123
OTZM4A	1SCA118510R1001	Electrical interlock kit	145
OTZM4L	1SCA118511R1001	Electrical interlock kit	145
OHZX14	1SCA022851R6590	Extension ring for pistol handle	47
OTPN40FP	1SCA104997R1001	Fixed neutral	52
OTPN80FD	1SCA105456R1001	Fixed neutral	52
OTPN80FP	1SCA105457R1001	Fixed neutral	52
OTPN40FD	1SCA105718R1001	Fixed neutral	52
OTPN60FP	1SCA117606R1001	Fixed neutral	174
OTPL125FD	1SCA105088R1001	Fourth poles, late-break and early-make	51
OTPL125FP	1SCA105090R1001	Fourth poles, late-break and early-make	174
OTPN125FD	1SCA105092R1001	Fourth poles, late-break and early-make	52
OTPN125FP	1SCA105094R1001	Fourth poles, late-break and early-make	52
OTPL80FD	1SCA105451R1001	Fourth poles, late-break and early-make	51
OTPL80FP	1SCA105452R1001	Fourth poles, late-break and early-make	51
OTPL40FD	1SCA105716R1001	Fourth poles, late-break and early-make	51
OTPL40FP	1SCA105717R1001	Fourth poles, late-break and early-make	51
OTPL60FP	1SCA111004R1001	Fourth poles, late-break and early-make	174
OTZ250E	1SCA022735R9420	Fourth poles, simultaneous function with the main contacts	133
OTZ400E	1SCA022749R1960	Fourth poles, simultaneous function with the main contacts	133
OTZ800E	1SCA022807R5100	Fourth poles, simultaneous function with the main contacts	133
OTZ1600E	1SCA100431R1001	Fourth poles, simultaneous function with the main contacts	133
OTZ1250E	1SCA103765R1001	Fourth poles, simultaneous function with the main contacts	133
OTZ2500E	1SCA107931R1001	Fourth poles, simultaneous function with the main contacts	133
OTPS60FP	1SCA111009R1001	Fourth poles, simultaneous function with the main contacts	174
OTZ4000E	1SCA128807R1001	Fourth poles, simultaneous function with the main contacts	133
OTPS125MP	1SCA022436R9110	Fourth poles, simultaneous function with the main contacts	51
OTPS63MLP	1SCA022530R6580	Fourth poles, simultaneous function with the main contacts	51
OTPS40FDN2	1SCA104998R1001	Fourth poles, simultaneous function with the main contacts	51
OTPS40FDN1	1SCA104999R1001	Fourth poles, simultaneous function with the main contacts	51
OTPS40FPN2	1SCA105000R1001	Fourth poles, simultaneous function with the main contacts	51
OTPS40FPN1	1SCA105001R1001	Fourth poles, simultaneous function with the main contacts	51
OTPS125FD	1SCA105096R1001	Fourth poles, simultaneous function with the main contacts	51

Type	Order number	Description	Page
OTPS125FP	1SCA105099R1001	Fourth poles, simultaneous function with the main contacts	51
OTPS80FD	1SCA105458R1001	Fourth poles, simultaneous function with the main contacts	51
OTPS80FP	1SCA105461R1001	Fourth poles, simultaneous function with the main contacts	51
OT16F6	1SCA104834R1001	Front operated 6- and 8-pole switch-disconnectors, IEC	23
OT16F8	1SCA104836R1001	Front operated 6- and 8-pole switch-disconnectors, IEC	23
OT25F6	1SCA104880R1001	Front operated 6- and 8-pole switch-disconnectors, IEC	23
OT25F8	1SCA104882R1001	Front operated 6- and 8-pole switch-disconnectors, IEC	23
OT40F6	1SCA104936R1001	Front operated 6- and 8-pole switch-disconnectors, IEC	23
OT40F8	1SCA104938R1001	Front operated 6- and 8-pole switch-disconnectors, IEC	23
OT100F6	1SCA105021R1001	Front operated 6- and 8-pole switch-disconnectors, IEC	23
OT100F8	1SCA105022R1001	Front operated 6- and 8-pole switch-disconnectors, IEC	23
OT125F6	1SCA105057R1001	Front operated 6- and 8-pole switch-disconnectors, IEC	23
OT125F8	1SCA105059R1001	Front operated 6- and 8-pole switch-disconnectors, IEC	23
OT63F6	1SCA105379R1001	Front operated 6- and 8-pole switch-disconnectors, IEC	23
OT63F8	1SCA105381R1001	Front operated 6- and 8-pole switch-disconnectors, IEC	23
OT80F6	1SCA105427R1001	Front operated 6- and 8-pole switch-disconnectors, IEC	23
OT80F8	1SCA105429R1001	Front operated 6- and 8-pole switch-disconnectors, IEC	23
OT1250EM03W4P	1SCA115805R1001	Front operated earthing switches with wide phase distance, bottom mounted (EM), IEC	84
OT1250EM03W8P	1SCA115810R1001	Front operated earthing switches with wide phase distance, bottom mounted (EM), IEC	84
OT1600EM03W4P	1SCA115822R1001	Front operated earthing switches with wide phase distance, bottom mounted (EM), IEC	84
OT1600EM03W8P	1SCA115827R1001	Front operated earthing switches with wide phase distance, bottom mounted (EM), IEC	84
OT2500EM03W4P	1SCA115840R1001	Front operated earthing switches with wide phase distance, bottom mounted (EM), IEC	84
OT2500EM03W8P	1SCA115843R1001	Front operated earthing switches with wide phase distance, bottom mounted (EM), IEC	84
OT1250EM04W4P	1SCA118940R1001	Front operated earthing switches with wide phase distance, bottom mounted (EM), IEC	84
OT1250EM04W8P	1SCA118941R1001	Front operated earthing switches with wide phase distance, bottom mounted (EM), IEC	84
OT1600EM04W4P	1SCA118942R1001	Front operated earthing switches with wide phase distance, bottom mounted (EM), IEC	84
OT2500EM04W4P	1SCA118943R1001	Front operated earthing switches with wide phase distance, bottom mounted (EM), IEC	84

Switch-disconnectors

Index

Type	Order number	Description	Page	Type	Order number	Description	Page
OT1600EM04W8P	1SCA118944R1001	Front operated earthing switches with wide phase distance, bottom mounted (EM), IEC	84	OT400U12	1SCA022754R6450	Front operated non-fusible disconnect switches, base mounting, UL/CSA	86
OT2500EM04W8P	1SCA118945R1001	Front operated earthing switches with wide phase distance, bottom mounted (EM), IEC	84	OT400U22	1SCA022762R7110	Front operated non-fusible disconnect switches, base mounting, UL/CSA	86
OT1000EP03P	1SCA118451R1001	Front operated earthing switches, base mounted (EP), IEC	85	OT600U03	1SCA022798R0730	Front operated non-fusible disconnect switches, base mounting, UL/CSA	86
OT1000EP04P	1SCA118452R1001	Front operated earthing switches, base mounted (EP), IEC	85	OT600U04	1SCA022800R1750	Front operated non-fusible disconnect switches, base mounting, UL/CSA	86
OT1250EP03P	1SCA118453R1001	Front operated earthing switches, base mounted (EP), IEC	85	OT600U12	1SCA022800R1830	Front operated non-fusible disconnect switches, base mounting, UL/CSA	86
OT1250EP04P	1SCA118454R1001	Front operated earthing switches, base mounted (EP), IEC	85	OT600U22	1SCA022800R2130	Front operated non-fusible disconnect switches, base mounting, UL/CSA	86
OT1600EP03P	1SCA118455R1001	Front operated earthing switches, base mounted (EP), IEC	85	OT1200U03	1SCA022860R6820	Front operated non-fusible disconnect switches, base mounting, UL/CSA	86
OT1600EP04P	1SCA118456R1001	Front operated earthing switches, base mounted (EP), IEC	85	OT1200U04	1SCA022860R7040	Front operated non-fusible disconnect switches, base mounting, UL/CSA	86
OT2000EP03P	1SCA118457R1001	Front operated earthing switches, base mounted (EP), IEC	85	OT800U03	1SCA105635R1001	Front operated non-fusible disconnect switches, base mounting, UL/CSA	86
OT2000EP04P	1SCA118458R1001	Front operated earthing switches, base mounted (EP), IEC	85	OT800U04	1SCA105636R1001	Front operated non-fusible disconnect switches, base mounting, UL/CSA	86
OT2500EP03P	1SCA118459R1001	Front operated earthing switches, base mounted (EP), IEC	85	OT800U12	1SCA105637R1001	Front operated non-fusible disconnect switches, base mounting, UL/CSA	86
OT2500EP04P	1SCA118460R1001	Front operated earthing switches, base mounted (EP), IEC	85	OT800U22	1SCA105639R1001	Front operated non-fusible disconnect switches, base mounting, UL/CSA	86
OT1250EM03P	1SCA115708R1001	Front operated earthing switches, bottom mounted (EM), IEC	84	OT1200U12	1SCA105659R1001	Front operated non-fusible disconnect switches, base mounting, UL/CSA	86
OT1600EM03P	1SCA115815R1001	Front operated earthing switches, bottom mounted (EM), IEC	84	OT1200U22	1SCA105663R1001	Front operated non-fusible disconnect switches, base mounting, UL/CSA	86
OT2500EM03P	1SCA115835R1001	Front operated earthing switches, bottom mounted (EM), IEC	84	OT2000U03	1SCA117313R1001	Front operated non-fusible disconnect switches, base mounting, UL/CSA	86
OT1000EM03P	1SCA118937R1001	Front operated earthing switches, bottom mounted (EM), IEC	84	OT2000U03P	1SCA117314R1001	Front operated non-fusible disconnect switches, base mounting, UL/CSA	87
OT2000EM03P	1SCA118939R1001	Front operated earthing switches, bottom mounted (EM), IEC	84	OT2000U04	1SCA117316R1001	Front operated non-fusible disconnect switches, base mounting, UL/CSA	86
OT2500EM04P	1SCA118946R1001	Front operated earthing switches, bottom mounted (EM), IEC	84	OT2000U04P	1SCA117317R1001	Front operated non-fusible disconnect switches, base mounting, UL/CSA	87
OT2000EM04P	1SCA118947R1001	Front operated earthing switches, bottom mounted (EM), IEC	84	OT2000U12	1SCA117332R1001	Front operated non-fusible disconnect switches, base mounting, UL/CSA	86
OT1600EM04P	1SCA118948R1001	Front operated earthing switches, bottom mounted (EM), IEC	84	OT2000U12P	1SCA117333R1001	Front operated non-fusible disconnect switches, base mounting, UL/CSA	87
OT1250EM04P	1SCA118949R1001	Front operated earthing switches, bottom mounted (EM), IEC	84	OT2000U22	1SCA117334R1001	Front operated non-fusible disconnect switches, base mounting, UL/CSA	86
OT1000EM04P	1SCA118950R1001	Front operated earthing switches, bottom mounted (EM), IEC	84	OT2000U22P	1SCA117335R1001	Front operated non-fusible disconnect switches, base mounting, UL/CSA	87
OT2000U03	1SCA022723R0220	Front operated non-fusible disconnect switches, base mounting, UL/CSA	86				
OT2000U04	1SCA022723R0490	Front operated non-fusible disconnect switches, base mounting, UL/CSA	86				
OT2000U22	1SCA022741R8960	Front operated non-fusible disconnect switches, base mounting, UL/CSA	86				
OT400U03	1SCA022747R6490	Front operated non-fusible disconnect switches, base mounting, UL/CSA	86				
OT400U04	1SCA022748R1060	Front operated non-fusible disconnect switches, base mounting, UL/CSA	86				
OT2000U12	1SCA022752R1890	Front operated non-fusible disconnect switches, base mounting, UL/CSA	86				

Switch-disconnectors

Index

5

Type	Order number	Description	Page
OT2000U13	1SCA117336R1001	Front operated non-fusible disconnect switches, base mounting, UL/CSA	86
OT2000U13P	1SCA117337R1001	Front operated non-fusible disconnect switches, base mounting, UL/CSA	87
OT1600U02	1SCA144197R1001	Front operated non-fusible disconnect switches, base mounting, UL/CSA	86
OT1600U03	1SCA144198R1001	Front operated non-fusible disconnect switches, base mounting, UL/CSA	86
OT1600U04	1SCA144199R1001	Front operated non-fusible disconnect switches, base mounting, UL/CSA	86
OT1600U12	1SCA144200R1001	Front operated non-fusible disconnect switches, base mounting, UL/CSA	86
OT1600U13	1SCA144201R1001	Front operated non-fusible disconnect switches, base mounting, UL/CSA	86
OT1600U22	1SCA144202R1001	Front operated non-fusible disconnect switches, base mounting, UL/CSA	86
OT2000U02	1SCA144203R1001	Front operated non-fusible disconnect switches, base mounting, UL/CSA	86
OT1600U02P	1SCA144206R1001	Front operated non-fusible disconnect switches, base mounting, UL/CSA	87
OT1600U03P	1SCA144207R1001	Front operated non-fusible disconnect switches, base mounting, UL/CSA	87
OT1600U04P	1SCA144208R1001	Front operated non-fusible disconnect switches, base mounting, UL/CSA	87
OT1600U12P	1SCA144209R1001	Front operated non-fusible disconnect switches, base mounting, UL/CSA	87
OT1600U13P	1SCA144210R1001	Front operated non-fusible disconnect switches, base mounting, UL/CSA	87
OT1600U22P	1SCA144211R1001	Front operated non-fusible disconnect switches, base mounting, UL/CSA	87
OT2000U02P	1SCA144212R1001	Front operated non-fusible disconnect switches, base mounting, UL/CSA	87
OT30FT3	1SCA105074R1001	Front operated non-fusible disconnect switches, door mounting, UL/CSA	25
OT60FT3	1SCA105081R1001	Front operated non-fusible disconnect switches, door mounting, UL/CSA	25
OT30FT4N2	1SCA109443R1001	Front operated non-fusible disconnect switches, door mounting, UL/CSA	25
OT60FT4N2	1SCA109444R1001	Front operated non-fusible disconnect switches, door mounting, UL/CSA	25
OT16F4N2	1SCA104829R1001	Front operated non-fusible disconnect switches, UL/CSA	24
OT100F3	1SCA105004R1001	Front operated non-fusible disconnect switches, UL/CSA	24
OT100F4N2	1SCA105018R1001	Front operated non-fusible disconnect switches, UL/CSA	24

Type	Order number	Description	Page
OT30F3	1SCA105068R1001	Front operated non-fusible disconnect switches, UL/CSA	24
OT60F3	1SCA105076R1001	Front operated non-fusible disconnect switches, UL/CSA	24
OT80F3	1SCA105798R1001	Front operated non-fusible disconnect switches, UL/CSA	24
OT30F4N2	1SCA108347R1001	Front operated non-fusible disconnect switches, UL/CSA	24
OT1600E03W4P	1SCA022865R9860	Front operated switch-disconnectors OT1000..4000 with wide phase distance, IEC	82
OT1600E04W4P	1SCA022866R1090	Front operated switch-disconnectors OT1000..4000 with wide phase distance, IEC	82
OT1250E03W4P	1SCA022866R1920	Front operated switch-disconnectors OT1000..4000 with wide phase distance, IEC	82
OT1250E04W4P	1SCA022866R2220	Front operated switch-disconnectors OT1000..4000 with wide phase distance, IEC	82
OT1000E03W4P	1SCA022871R7310	Front operated switch-disconnectors OT1000..4000 with wide phase distance, IEC	82
OT1000E03W8P	1SCA022871R8110	Front operated switch-disconnectors OT1000..4000 with wide phase distance, IEC	82
OT1250E03W8P	1SCA022871R8540	Front operated switch-disconnectors OT1000..4000 with wide phase distance, IEC	82
OT1600E03W8P	1SCA022871R8970	Front operated switch-disconnectors OT1000..4000 with wide phase distance, IEC	82
OT1000E04W4P	1SCA100762R1001	Front operated switch-disconnectors OT1000..4000 with wide phase distance, IEC	82
OT2000E03W4P	1SCA108042R1001	Front operated switch-disconnectors OT1000..4000 with wide phase distance, IEC	82
OT2000E03W8P	1SCA108045R1001	Front operated switch-disconnectors OT1000..4000 with wide phase distance, IEC	82
OT2500E03W4P	1SCA108047R1001	Front operated switch-disconnectors OT1000..4000 with wide phase distance, IEC	82
OT2500E03W8P	1SCA108049R1001	Front operated switch-disconnectors OT1000..4000 with wide phase distance, IEC	82
OT2000E13W8P	1SCA109283R1001	Front operated switch-disconnectors OT1000..4000 with wide phase distance, IEC	82
OT2000E13W4P	1SCA109284R1001	Front operated switch-disconnectors OT1000..4000 with wide phase distance, IEC	82
OT2500E13W4P	1SCA109285R1001	Front operated switch-disconnectors OT1000..4000 with wide phase distance, IEC	82
OT2500E13W8P	1SCA109286R1001	Front operated switch-disconnectors OT1000..4000 with wide phase distance, IEC	82
OT3200E03W8P	1SCA128599R1001	Front operated switch-disconnectors OT1000..4000 with wide phase distance, IEC	82
OT4000E04W8P	1SCA128666R1001	Front operated switch-disconnectors OT1000..4000 with wide phase distance, IEC	82

Switch-disconnectors

Index

Type	Order number	Description	Page	Type	Order number	Description	Page
OT3200E04W8P	1SCA128682R1001	Front operated switch-disconnectors OT1000...4000 with wide phase distance, IEC	82	OT1250E03K	1SCA108356R1001	Front operated switch-disconnectors OT1000...4000, IEC	81
OT4000E03W8P	1SCA128687R1001	Front operated switch-disconnectors OT1000...4000 with wide phase distance, IEC	82	OT1250E04K	1SCA108357R1001	Front operated switch-disconnectors OT1000...4000, IEC	81
OT1000E03P	1SCA022860R5930	Front operated switch-disconnectors OT1000...4000, IEC	79	OT1600E04K	1SCA108358R1001	Front operated switch-disconnectors OT1000...4000, IEC	81
OT1000E04P	1SCA022860R6150	Front operated switch-disconnectors OT1000...4000, IEC	79	OT2000E03K	1SCA108359R1001	Front operated switch-disconnectors OT1000...4000, IEC	81
OT1250E03P	1SCA022860R6230	Front operated switch-disconnectors OT1000...4000, IEC	79	OT2500E03K	1SCA108361R1001	Front operated switch-disconnectors OT1000...4000, IEC	81
OT1250E04P	1SCA022860R6310	Front operated switch-disconnectors OT1000...4000, IEC	79	OT2000E04K	1SCA108362R1001	Front operated switch-disconnectors OT1000...4000, IEC	81
OT1600E03P	1SCA022860R6580	Front operated switch-disconnectors OT1000...4000, IEC	79	OT2500E04K	1SCA108363R1001	Front operated switch-disconnectors OT1000...4000, IEC	81
OT1600E04P	1SCA022860R6740	Front operated switch-disconnectors OT1000...4000, IEC	79	OT4000E03	1SCA124847R1001	Front operated switch-disconnectors OT1000...4000, IEC	80
OT1600E03N3P	1SCA022865R6920	Front operated switch-disconnectors OT1000...4000, IEC	79	OT4000E03P	1SCA124848R1001	Front operated switch-disconnectors OT1000...4000, IEC	80
OT1250E03N3P	1SCA022865R7060	Front operated switch-disconnectors OT1000...4000, IEC	79	OT4000E12P	1SCA124852R1001	Front operated switch-disconnectors OT1000...4000, IEC	80
OT1000E12P	1SCA022871R5520	Front operated switch-disconnectors OT1000...4000, IEC	79	OT4000E04	1SCA124855R1001	Front operated switch-disconnectors OT1000...4000, IEC	80
OT1000E22P	1SCA022871R5610	Front operated switch-disconnectors OT1000...4000, IEC	79	OT4000E04P	1SCA124856R1001	Front operated switch-disconnectors OT1000...4000, IEC	80
OT1250E12P	1SCA022871R5790	Front operated switch-disconnectors OT1000...4000, IEC	79	OT4000E13	1SCA124859R1001	Front operated switch-disconnectors OT1000...4000, IEC	80
OT1250E22P	1SCA022871R5870	Front operated switch-disconnectors OT1000...4000, IEC	79	OT4000E13P	1SCA124861R1001	Front operated switch-disconnectors OT1000...4000, IEC	80
OT1600E12P	1SCA022871R5950	Front operated switch-disconnectors OT1000...4000, IEC	79	OT4000E22	1SCA124865R1001	Front operated switch-disconnectors OT1000...4000, IEC	80
OT1600E22P	1SCA022871R6090	Front operated switch-disconnectors OT1000...4000, IEC	79	OT4000E22P	1SCA124869R1001	Front operated switch-disconnectors OT1000...4000, IEC	80
OT1000E03N3P	1SCA100761R1001	Front operated switch-disconnectors OT1000...4000, IEC	79	OT3200E04	1SCA128479R1001	Front operated switch-disconnectors OT1000...4000, IEC	80
OT2500E03P	1SCA104972R1001	Front operated switch-disconnectors OT1000...4000, IEC	80	OT3200E03	1SCA128480R1001	Front operated switch-disconnectors OT1000...4000, IEC	80
OT2500E12P	1SCA104978R1001	Front operated switch-disconnectors OT1000...4000, IEC	80	OT3200E03P	1SCA128481R1001	Front operated switch-disconnectors OT1000...4000, IEC	80
OT2500E04P	1SCA105140R1001	Front operated switch-disconnectors OT1000...4000, IEC	80	OT3200E04P	1SCA128482R1001	Front operated switch-disconnectors OT1000...4000, IEC	80
OT2500E22P	1SCA105156R1001	Front operated switch-disconnectors OT1000...4000, IEC	80	OT3200E12	1SCA128483R1001	Front operated switch-disconnectors OT1000...4000, IEC	80
OT2500E03N3P	1SCA108035R1001	Front operated switch-disconnectors OT1000...4000, IEC	80	OT3200E13	1SCA128484R1001	Front operated switch-disconnectors OT1000...4000, IEC	80
OT2000E03P	1SCA108036R1001	Front operated switch-disconnectors OT1000...4000, IEC	80	OT3200E22	1SCA128485R1001	Front operated switch-disconnectors OT1000...4000, IEC	80
OT2000E03N3P	1SCA108037R1001	Front operated switch-disconnectors OT1000...4000, IEC	80	OT3200E12P	1SCA128486R1001	Front operated switch-disconnectors OT1000...4000, IEC	80
OT2000E04P	1SCA108038R1001	Front operated switch-disconnectors OT1000...4000, IEC	80	OT3200E13P	1SCA128487R1001	Front operated switch-disconnectors OT1000...4000, IEC	80
OT2000E12P	1SCA108039R1001	Front operated switch-disconnectors OT1000...4000, IEC	80	OT3200E22P	1SCA128488R1001	Front operated switch-disconnectors OT1000...4000, IEC	80
OT2000E22P	1SCA108041R1001	Front operated switch-disconnectors OT1000...4000, IEC	80	OT3200E02	1SCA128579R1001	Front operated switch-disconnectors OT1000...4000, IEC	80
OT1600E03K	1SCA108352R1001	Front operated switch-disconnectors OT1000...4000, IEC	81	OT3200E02P	1SCA128581R1001	Front operated switch-disconnectors OT1000...4000, IEC	80
OT1000E03K	1SCA108353R1001	Front operated switch-disconnectors OT1000...4000, IEC	81	OT4000E02P	1SCA128595R1001	Front operated switch-disconnectors OT1000...4000, IEC	80
OT1000E04K	1SCA108355R1001	Front operated switch-disconnectors OT1000...4000, IEC	81	OT4000E02	1SCA128596R1001	Front operated switch-disconnectors OT1000...4000, IEC	80
				OT4000E12	1SCA128872R1001	Front operated switch-disconnectors OT1000...4000, IEC	80

Switch-disconnectors

Index

Type	Order number	Description	Page
OT200E03WP	1SCA022744R2670	Front operated switch-disconnectors OT160...800 with wide phase distance, IEC	78
OT200E12WP	1SCA022744R2910	Front operated switch-disconnectors OT160...800 with wide phase distance, IEC	78
OT200E04WP	1SCA022744R3130	Front operated switch-disconnectors OT160...800 with wide phase distance, IEC	78
OT200E22WP	1SCA022744R3300	Front operated switch-disconnectors OT160...800 with wide phase distance, IEC	78
OT250E03WP	1SCA022744R3560	Front operated switch-disconnectors OT160...800 with wide phase distance, IEC	78
OT250E04WP	1SCA022744R3810	Front operated switch-disconnectors OT160...800 with wide phase distance, IEC	78
OT250E12WP	1SCA022745R0000	Front operated switch-disconnectors OT160...800 with wide phase distance, IEC	78
OT250E22WP	1SCA022745R0180	Front operated switch-disconnectors OT160...800 with wide phase distance, IEC	78
OT400E03WP	1SCA022809R8310	Front operated switch-disconnectors OT160...800 with wide phase distance, IEC	78
OT315E03WP	1SCA022809R8650	Front operated switch-disconnectors OT160...800 with wide phase distance, IEC	78
OT400E04WP	1SCA022809R8810	Front operated switch-disconnectors OT160...800 with wide phase distance, IEC	78
OT315E04WP	1SCA022809R8900	Front operated switch-disconnectors OT160...800 with wide phase distance, IEC	78
OT400E12WP	1SCA022809R9200	Front operated switch-disconnectors OT160...800 with wide phase distance, IEC	78
OT315E12WP	1SCA022809R9380	Front operated switch-disconnectors OT160...800 with wide phase distance, IEC	78
OT400E22WP	1SCA022810R0570	Front operated switch-disconnectors OT160...800 with wide phase distance, IEC	78
OT315E22WP	1SCA022810R0900	Front operated switch-disconnectors OT160...800 with wide phase distance, IEC	78
OT160EV03WP	1SCA120517R1001	Front operated switch-disconnectors OT160...800 with wide phase distance, IEC	78
OT160EV04WP	1SCA120523R1001	Front operated switch-disconnectors OT160...800 with wide phase distance, IEC	78
OT160EV22WP	1SCA120539R1001	Front operated switch-disconnectors OT160...800 with wide phase distance, IEC	78
OT160EV12WP	1SCA120606R1001	Front operated switch-disconnectors OT160...800 with wide phase distance, IEC	78
OT250E03P	1SCA022710R0100	Front operated switch-disconnectors OT160...800, IEC	76
OT250E04P	1SCA022710R0520	Front operated switch-disconnectors OT160...800, IEC	76
OT200E03P	1SCA022712R0800	Front operated switch-disconnectors OT160...800, IEC	76

Type	Order number	Description	Page
OT200E04P	1SCA022713R4930	Front operated switch-disconnectors OT160...800, IEC	76
OT315E03P	1SCA022718R8510	Front operated switch-disconnectors OT160...800, IEC	76
OT400E03P	1SCA022718R8780	Front operated switch-disconnectors OT160...800, IEC	76
OT630E03P	1SCA022718R8940	Front operated switch-disconnectors OT160...800, IEC	76
OT800E03P	1SCA022718R9410	Front operated switch-disconnectors OT160...800, IEC	76
OT315E04P	1SCA022719R1730	Front operated switch-disconnectors OT160...800, IEC	76
OT400E04P	1SCA022719R1810	Front operated switch-disconnectors OT160...800, IEC	76
OT630E04P	1SCA022719R2030	Front operated switch-disconnectors OT160...800, IEC	76
OT800E04P	1SCA022719R2110	Front operated switch-disconnectors OT160...800, IEC	76
OT200E12P	1SCA022721R3990	Front operated switch-disconnectors OT160...800, IEC	76
OT200E22P	1SCA022721R4020	Front operated switch-disconnectors OT160...800, IEC	76
OT250E12P	1SCA022721R4110	Front operated switch-disconnectors OT160...800, IEC	76
OT250E22P	1SCA022721R4290	Front operated switch-disconnectors OT160...800, IEC	76
OT315E12P	1SCA022727R4190	Front operated switch-disconnectors OT160...800, IEC	76
OT315E22P	1SCA022727R4270	Front operated switch-disconnectors OT160...800, IEC	76
OT400E12P	1SCA022727R5750	Front operated switch-disconnectors OT160...800, IEC	76
OT400E22P	1SCA022727R5830	Front operated switch-disconnectors OT160...800, IEC	76
OT630E12P	1SCA022753R4790	Front operated switch-disconnectors OT160...800, IEC	76
OT630E22P	1SCA022753R4870	Front operated switch-disconnectors OT160...800, IEC	76
OT800E12P	1SCA022753R5170	Front operated switch-disconnectors OT160...800, IEC	76
OT800E22P	1SCA022753R5250	Front operated switch-disconnectors OT160...800, IEC	76
OT200E03K	1SCA022763R4820	Front operated switch-disconnectors OT160...800, IEC	76
OT200E04K	1SCA022763R4910	Front operated switch-disconnectors OT160...800, IEC	76
OT250E03K	1SCA022763R5040	Front operated switch-disconnectors OT160...800, IEC	76
OT250E04K	1SCA022763R5210	Front operated switch-disconnectors OT160...800, IEC	77
OT400E03K	1SCA022763R5390	Front operated switch-disconnectors OT160...800, IEC	76
OT400E04K	1SCA022763R5550	Front operated switch-disconnectors OT160...800, IEC	76
OT315E03K	1SCA022763R5630	Front operated switch-disconnectors OT160...800, IEC	76
OT315E04K	1SCA022763R5710	Front operated switch-disconnectors OT160...800, IEC	76
OT800E03N3P	1SCA022779R4780	Front operated switch-disconnectors OT160...800, IEC	76
OT630E03N3P	1SCA022779R4860	Front operated switch-disconnectors OT160...800, IEC	76

Switch-disconnectors

Index

Type	Order number	Description	Page	Type	Order number	Description	Page
OT630E03K	1SCA022779R4940	Front operated switch-disconnectors OT160...800, IEC	77	OT63F3	1SCA105332R1001	Front operated switch-disconnectors, IEC	22
OT630E04K	1SCA022779R5080	Front operated switch-disconnectors OT160...800, IEC	76	OT63F4N2	1SCA105365R1001	Front operated switch-disconnectors, IEC	22
OT800E03K	1SCA022779R5160	Front operated switch-disconnectors OT160...800, IEC	76	OT80F4N2	1SCA105413R1001	Front operated switch-disconnectors, IEC	22
OT800E04K	1SCA022779R5240	Front operated switch-disconnectors OT160...800, IEC	77	OT125FL3	1SCA112372R1001	Front operated switch-disconnectors, IEC	22
OT160EV03K	1SCA120513R1001	Front operated switch-disconnectors OT160...800, IEC	77	OT125FLA3	1SCA114832R1001	Front operated switch-disconnectors, IEC	22
OT160EV03P	1SCA120514R1001	Front operated switch-disconnectors OT160...800, IEC	76	OT125FLB3	1SCA114833R1001	Front operated switch-disconnectors, IEC	22
OT160EV04K	1SCA120520R1001	Front operated switch-disconnectors OT160...800, IEC	76	OT125M3	1SCA022429R9140	Front operated switch-disconnectors, installation switch, IEC	22
OT160EV04P	1SCA120521R1001	Front operated switch-disconnectors OT160...800, IEC	76	OT125M4	1SCA022429R9220	Front operated switch-disconnectors, installation switch, IEC	22
OT160EV12P	1SCA120529R1001	Front operated switch-disconnectors OT160...800, IEC	76	OT16M3	1SCA022497R0220	Front operated switch-disconnectors, installation switch, IEC	22
OT160EV22P	1SCA120537R1001	Front operated switch-disconnectors OT160...800, IEC	76	OT25M3	1SCA022497R0310	Front operated switch-disconnectors, installation switch, IEC	22
OT16FT3	1SCA104838R1001	Front operated switch-disconnectors, door mounting, IEC	23	OT40M3	1SCA022497R0490	Front operated switch-disconnectors, installation switch, IEC	22
OT25FT3	1SCA104884R1001	Front operated switch-disconnectors, door mounting, IEC	23	OT40M4	1SCA022497R0570	Front operated switch-disconnectors, installation switch, IEC	22
OT25FT4N2	1SCA104900R1001	Front operated switch-disconnectors, door mounting, IEC	23	OT25M4	1SCA022497R0650	Front operated switch-disconnectors, installation switch, IEC	22
OT40FT3	1SCA104940R1001	Front operated switch-disconnectors, door mounting, IEC	23	OT16M4	1SCA022497R0730	Front operated switch-disconnectors, installation switch, IEC	22
OT40FT4N2	1SCA104956R1001	Front operated switch-disconnectors, door mounting, IEC	23	OT63ML3	1SCA022530R5770	Front operated switch-disconnectors, installation switch, IEC	22
OT100FT3	1SCA105023R1001	Front operated switch-disconnectors, door mounting, IEC	23	OT63ML4	1SCA022530R6400	Front operated switch-disconnectors, installation switch, IEC	22
OT100FT4N2	1SCA105031R1001	Front operated switch-disconnectors, door mounting, IEC	23	OTVS1	1SCA111413R1001	Handle and spare fuse storage clip for motorized switches OTM_	170
OT125FT3	1SCA105060R1001	Front operated switch-disconnectors, door mounting, IEC	23	OTVS2	1SCA111414R1001	Handle and spare fuse storage clip for motorized switches OTM_	170
OT125FT4N2	1SCA105066R1001	Front operated switch-disconnectors, door mounting, IEC	23	OTVS0	1SCA117524R1001	Handle and spare fuse storage clip for motorized switches OTM_	170
OT63FT3	1SCA105382R1001	Front operated switch-disconnectors, door mounting, IEC	23	YAST1	1SCA022301R5350	Handle knobs for base and DIN-rail mounted switches	38
OT63FT4N2	1SCA105393R1001	Front operated switch-disconnectors, door mounting, IEC	23	OHBS12	1SCA108252R1001	Handle knobs for base and DIN-rail mounted switches	38
OT80FT3	1SCA105431R1001	Front operated switch-disconnectors, door mounting, IEC	23	OHBS3/1	1SCA108319R1001	Handle knobs for base and DIN-rail mounted switches	38
OT80FT4N2	1SCA105499R1001	Front operated switch-disconnectors, door mounting, IEC	23	OHBS3	1SCA108320R1001	Handle knobs for base and DIN-rail mounted switches	38
OT16FT4N2	1SCA105711R1001	Front operated switch-disconnectors, door mounting, IEC	23	OHRS2	1SCA108598R1001	Handle knobs for base and DIN-rail mounted switches	38
OT16F3	1SCA104811R1001	Front operated switch-disconnectors, IEC	22	OHRS2/1	1SCA108599R1001	Handle knobs for base and DIN-rail mounted switches	38
OT25F3	1SCA104857R1001	Front operated switch-disconnectors, IEC	22	OHBS9	1SCA108665R1001	Handle knobs for base and DIN-rail mounted switches	38
OT25F4N2	1SCA104886R1001	Front operated switch-disconnectors, IEC	22	OHRS9	1SCA108666R1001	Handle knobs for base and DIN-rail mounted switches	38
OT40F3	1SCA104902R1001	Front operated switch-disconnectors, IEC	22	OHRS3	1SCA108667R1001	Handle knobs for base and DIN-rail mounted switches	38
OT40F4N2	1SCA104932R1001	Front operated switch-disconnectors, IEC	22	OHRS3/1	1SCA108688R1001	Handle knobs for base and DIN-rail mounted switches	38
OT125F3	1SCA105033R1001	Front operated switch-disconnectors, IEC	22	OHBS9/1	1SCA108689R1001	Handle knobs for base and DIN-rail mounted switches	38
OT125F4N2	1SCA105051R1001	Front operated switch-disconnectors, IEC	22	OHRS9/1	1SCA108690R1001	Handle knobs for base and DIN-rail mounted switches	38

Switch-disconnectors

Index

Type	Order number	Description	Page
OHBS1	1SCA109087R1001	Handle knobs for base and DIN-rail mounted switches	38
OHBS1/1	1SCA109088R1001	Handle knobs for base and DIN-rail mounted switches	38
OHBS2	1SCA109089R1001	Handle knobs for base and DIN-rail mounted switches	38
OHBS2/1	1SCA109090R1001	Handle knobs for base and DIN-rail mounted switches	38
OHRS1	1SCA109095R1001	Handle knobs for base and DIN-rail mounted switches	38
OHRS1/1	1SCA109096R1001	Handle knobs for base and DIN-rail mounted switches	38
OHBS13	1SCA112046R1001	Handle knobs for base and DIN-rail mounted switches	38
OHBS13/1	1SCA112047R1001	Handle knobs for base and DIN-rail mounted switches	38
OHB65J6E00S	1SCA022382R9850	Handles for side operated switch-disconnectors	124
OHY65J6E00S	1SCA022382R9930	Handles for side operated switch-disconnectors	124
OHG65J6E00S	1SCA022383R4510	Handles for side operated switch-disconnectors	124
OHB145J12E00S	1SCA022679R9700	Handles for side operated switch-disconnectors	124
OHY65J6TE00S	1SCA022688R0140	Handles for side operated switch-disconnectors	124
OHG65J6TE00S	1SCA109014R1001	Handles for side operated switch-disconnectors	124
OHB65J6TE00S	1SCA109016R1001	Handles for side operated switch-disconnectors	124
ST	1SCA022407R8210	Labelling accessories	45
ST-E	1SCA022407R8300	Labelling accessories	45
OPB3	1SCA022679R3410	Legend plates for pistol handles	45
OPX3	1SCA022679R3500	Legend plates for pistol handles	45
OPY3	1SCA022695R0450	Legend plates for pistol handles	45
OPX3F1	1SCA022695R0530	Legend plates for pistol handles	45
OPX3EN1	1SCA022695R0610	Legend plates for pistol handles	45
OPX3DE1	1SCA022695R0700	Legend plates for pistol handles	45
OPX3SE1	1SCA022695R0880	Legend plates for pistol handles	45
OPX3/TEXT	1SCA022696R6370	Legend plates for pistol handles	45
OPB2	1SCA022353R4110	Legend plates for selector handles	44
OPY2	1SCA022353R4200	Legend plates for selector handles	44
OPG2	1SCA022353R4380	Legend plates for selector handles	44
OPS2	1SCA022353R4460	Legend plates for selector handles	44
OPB2EN1	1SCA022400R2070	Legend plates for selector handles	44
OPS2EN1	1SCA022400R2230	Legend plates for selector handles	44
OPG2EN1	1SCA022400R2310	Legend plates for selector handles	44
OPY2EN1	1SCA022400R2740	Legend plates for selector handles	44
OPBS1	1SCA111519R1001	Legend plates for selector handles	44
OPBS1EN1	1SCA111520R1001	Legend plates for selector handles	44
OPSS1	1SCA111523R1001	Legend plates for selector handles	44
OPSS1EN1	1SCA111525R1001	Legend plates for selector handles	44
OPGS1EN1	1SCA111526R1001	Legend plates for selector handles	44
OPYS1	1SCA111528R1001	Legend plates for selector handles	44
OPYS1EN1	1SCA111530R1001	Legend plates for selector handles	44
OPGS1	1SCA111563R1001	Legend plates for selector handles	44
OHZX4	1SCA022467R2470	Locking accessories	143

Type	Order number	Description	Page
OTZL4	1SCA116554R1001	Mechanical interlock between OT earthing switch and OT1000...4000 switch-disconnector or E-max / T7 breaker	144
-	1SDA062127R1	Mechanical interlock between OT earthing switch and OT1000...4000 switch-disconnector or E-max / T7 breaker	144
OTZT1A	1SCA106522R1001	Mechanism interlock kits and electrical interlocks	144
OTZT2A	1SCA106523R1001	Mechanism interlock kits and electrical interlocks	144
OTZT3A	1SCA106525R1001	Mechanism interlock kits and electrical interlocks	144
OTZT4A	1SCA106526R1001	Mechanism interlock kits and electrical interlocks	144
OTZT1L	1SCA106527R1001	Mechanism interlock kits and electrical interlocks	144
OTZT2L	1SCA106529R1001	Mechanism interlock kits and electrical interlocks	144
OTZT3L	1SCA106530R1001	Mechanism interlock kits and electrical interlocks	144
OTZT4L	1SCA106531R1001	Mechanism interlock kits and electrical interlocks	144
OTM160E3WM230C	1SCA115286R1001	Motorized switch-disconnectors OTM with wide phase distance, IEC	163
OTM200E3WM230C	1SCA115288R1001	Motorized switch-disconnectors OTM with wide phase distance, IEC	163
OTM250E3WM230C	1SCA115289R1001	Motorized switch-disconnectors OTM with wide phase distance, IEC	163
OTM160E4WM230C	1SCA115295R1001	Motorized switch-disconnectors OTM with wide phase distance, IEC	163
OTM200E4WM230C	1SCA115296R1001	Motorized switch-disconnectors OTM with wide phase distance, IEC	163
OTM250E4WM230C	1SCA115297R1001	Motorized switch-disconnectors OTM with wide phase distance, IEC	163
OTM200E2WM230V	1SCA121187R1001	Motorized switch-disconnectors OTM with wide phase distance, IEC	163
OTM250E2WM230V	1SCA121188R1001	Motorized switch-disconnectors OTM with wide phase distance, IEC	163
OTM4000E-3W8M230C	1SCA129218R1001	Motorized switch-disconnectors OTM with wide phase distance, IEC	163
OTM4000E-3W8M230C	1SCA129218R1001	Motorized switch-disconnectors OTM with wide phase distance, IEC	163
OTM1000E3M230C	1SCA115364R1001	Motorized switch-disconnectors OTM, IEC	162
OTM1250E3M230C	1SCA115365R1001	Motorized switch-disconnectors OTM, IEC	162
OTM1600E3M230C	1SCA115366R1001	Motorized switch-disconnectors OTM, IEC	162
OTM1250E4M230C	1SCA115367R1001	Motorized switch-disconnectors OTM, IEC	162
OTM1000E4M230C	1SCA115368R1001	Motorized switch-disconnectors OTM, IEC	162
OTM1600E4M230C	1SCA115369R1001	Motorized switch-disconnectors OTM, IEC	162
OTM2000E3M230C	1SCA115372R1001	Motorized switch-disconnectors OTM, IEC	162
OTM2500E3M230C	1SCA115373R1001	Motorized switch-disconnectors OTM, IEC	162
OTM2000E4M230C	1SCA115374R1001	Motorized switch-disconnectors OTM, IEC	162

Switch-disconnectors

Index

Type	Order number	Description	Page	Type	Order number	Description	Page
OTM2500E4M230C	1SCA115375R1001	Motorized switch-disconnectors OTM, IEC	162	OTM125F4M230V	1SCA122973R1001	Motorized switch-disconnectors, IEC	160
OTM1250E2M230V	1SCA121193R1001	Motorized switch-disconnectors OTM, IEC	162	OTM100F4M230V	1SCA122974R1001	Motorized switch-disconnectors, IEC	160
OTM2500E2M230V	1SCA121195R1001	Motorized switch-disconnectors OTM, IEC	162	OTM80F4M230V	1SCA122975R1001	Motorized switch-disconnectors, IEC	160
OTM2000E2M230V	1SCA121201R1001	Motorized switch-disconnectors OTM, IEC	162	OTM63F4M230V	1SCA122976R1001	Motorized switch-disconnectors, IEC	160
OTM1000E2M230V	1SCA121396R1001	Motorized switch-disconnectors OTM, IEC	162	OTM40F4M230V	1SCA122977R1001	Motorized switch-disconnectors, IEC	160
OTM4000E3M230C	1SCA129195R1001	Motorized switch-disconnectors OTM, IEC	162	OXN250	1SCA022752R9950	Neutral links	174
OTM3200E3M230C	1SCA129196R1001	Motorized switch-disconnectors OTM, IEC	162	OXN400	1SCA022770R3060	Neutral links	174
OTM4000E4M230C	1SCA129197R1001	Motorized switch-disconnectors OTM, IEC	162	OXN800T	1SCA022829R0840	Neutral links	174
OTM3200E4M230C	1SCA129198R1001	Motorized switch-disconnectors OTM, IEC	162	OXN1250T	1SCA104162R1001	Neutral links	174
OTM200E3M230C	1SCA115284R1001	Motorized switch-disconnectors, IEC	161	OT160G03	1SCA135134R1001	Non-fusible disconnect switches, base and DIN-rail mounting, UL/ CSA	27
OTM250E3M230C	1SCA115285R1001	Motorized switch-disconnectors, IEC	161	OT160G04	1SCA135135R1001	Non-fusible disconnect switches, base and DIN-rail mounting, UL/ CSA	27
OTM250E4M230C	1SCA115290R1001	Motorized switch-disconnectors, IEC	161	OT160G30P	1SCA135138R1001	Non-fusible disconnect switches, base and DIN-rail mounting, UL/ CSA	27
OTM200E4M230C	1SCA115292R1001	Motorized switch-disconnectors, IEC	161	OT160G03P	1SCA135139R1001	Non-fusible disconnect switches, base and DIN-rail mounting, UL/ CSA	27
OTM400E3M230C	1SCA115333R1001	Motorized switch-disconnectors, IEC	161	OT160G04P	1SCA135140R1001	Non-fusible disconnect switches, base and DIN-rail mounting, UL/ CSA	27
OTM315E3M230C	1SCA115334R1001	Motorized switch-disconnectors, IEC	161	OT160G30	1SCA138207R1001	Non-fusible disconnect switches, base and DIN-rail mounting, UL/ CSA	27
OTM315E4M230C	1SCA115335R1001	Motorized switch-disconnectors, IEC	161	OT160G03K	1SCA138208R1001	Non-fusible disconnect switches, base and DIN-rail mounting, UL/ CSA	27
OTM400E4M230C	1SCA115336R1001	Motorized switch-disconnectors, IEC	161	OT160G30K	1SCA138209R1001	Non-fusible disconnect switches, base and DIN-rail mounting, UL/ CSA	27
OTM630E3M230C	1SCA115354R1001	Motorized switch-disconnectors, IEC	161	OT160G40	1SCA138213R1001	Non-fusible disconnect switches, base and DIN-rail mounting, UL/ CSA	27
OTM800E3M230C	1SCA115355R1001	Motorized switch-disconnectors, IEC	161	OT160G40K	1SCA138214R1001	Non-fusible disconnect switches, base and DIN-rail mounting, UL/ CSA	27
OTM800E4M230C	1SCA115356R1001	Motorized switch-disconnectors, IEC	161	OT160G04K	1SCA138215R1001	Non-fusible disconnect switches, base and DIN-rail mounting, UL/ CSA	27
OTM630E4M230C	1SCA115357R1001	Motorized switch-disconnectors, IEC	161	OT160G40P	1SCA138216R1001	Non-fusible disconnect switches, base and DIN-rail mounting, UL/ CSA	27
OTM200E2M230V	1SCA121184R1001	Motorized switch-disconnectors, IEC	161	OT160GT03	1SCA135136R1001	Non-fusible disconnect switches, door mounting, UL/CSA	27
OTM250E2M230V	1SCA121185R1001	Motorized switch-disconnectors, IEC	161	OT160GT04	1SCA135137R1001	Non-fusible disconnect switches, door mounting, UL/CSA	27
OTM315E2M230V	1SCA121189R1001	Motorized switch-disconnectors, IEC	161	OT160GT03P	1SCA135141R1001	Non-fusible disconnect switches, door mounting, UL/CSA	27
OTM630E2M230V	1SCA121190R1001	Motorized switch-disconnectors, IEC	161	OT160GT04P	1SCA135142R1001	Non-fusible disconnect switches, door mounting, UL/CSA	27
OTM800E2M230V	1SCA121197R1001	Motorized switch-disconnectors, IEC	161	OT160GT30P	1SCA135143R1001	Non-fusible disconnect switches, door mounting, UL/CSA	27
OTM400E2M230V	1SCA121199R1001	Motorized switch-disconnectors, IEC	161	OT160GT40P	1SCA135144R1001	Non-fusible disconnect switches, door mounting, UL/CSA	27
OTM100F3M230V	1SCA122969R1001	Motorized switch-disconnectors, IEC	160				
OTM80F3M230V	1SCA122970R1001	Motorized switch-disconnectors, IEC	160				
OTM63F3M230V	1SCA122971R1001	Motorized switch-disconnectors, IEC	160				
OTM40F3M230V	1SCA122972R1001	Motorized switch-disconnectors, IEC	160				

Switch-disconnectors

Index

Type	Order number	Description	Page
OT160GT30	1SCA138220R1001	Non-fusible disconnect switches, door mounting, UL/CSA	27
OT160GT40	1SCA138221R1001	Non-fusible disconnect switches, door mounting, UL/CSA	27
PB100 low	1SDA054970R1	Phase barriers	135
PB200 high	1SDA054973R1	Phase barriers	135
OTB800/6	1SCA022821R7760	Phase separators	135
OTB1600/6	1SCA100768R1001	Phase separators	135
OTB4000/6	1SCA129040R1001	Phase separators	135
OHZX6	1SCA022559R5670	Pistol handle mounting kit for OT 100...125 FT_ and OT160GT switches	41
OHB150J12P	1SCA022865R9430	Pistol handles	122
OHB200J12P	1SCA022865R9510	Pistol handles	122
OHY150J12P	1SCA101586R1001	Pistol handles	122
OHY200J12P	1SCA101587R1001	Pistol handles	122
OHB200J12PT	1SCA106510R1001	Pistol handles	122
OHY200J12PT	1SCA111512R1001	Pistol handles	122
OHB200L12P	1SCA111564R1001	Pistol handles	122
OHY200L12P	1SCA111569R1001	Pistol handles	122
OHY274J12	1SCA115919R1001	Pistol handles	122
OHB274J12	1SCA115920R1001	Pistol handles	122
OHY330J12	1SCA115921R1001	Pistol handles	122
OHB330J12	1SCA115922R1001	Pistol handles	122
OHB274J12T	1SCA120250R1001	Pistol handles	122
OHB330J12T	1SCA120252R1001	Pistol handles	122
OHB65J6	1SCA022380R9660	Pistol handles for base and DIN-rail mounted switches	121
OHG65J6	1SCA022380R9740	Pistol handles for base and DIN-rail mounted switches	121
OHY65J6	1SCA022380R9820	Pistol handles for base and DIN-rail mounted switches	121
OHB80J6	1SCA022381R0240	Pistol handles for base and DIN-rail mounted switches	121
OHG80J6	1SCA022381R0320	Pistol handles for base and DIN-rail mounted switches	121
OHY80J6	1SCA022381R0410	Pistol handles for base and DIN-rail mounted switches	121
OHB95J12	1SCA022381R0830	Pistol handles for base and DIN-rail mounted switches	121
OHG95J12	1SCA022381R0910	Pistol handles for base and DIN-rail mounted switches	121
OHY95J12	1SCA022381R1050	Pistol handles for base and DIN-rail mounted switches	121
OHB125J12	1SCA022381R1560	Pistol handles for base and DIN-rail mounted switches	121
OHG125J12	1SCA022381R1640	Pistol handles for base and DIN-rail mounted switches	121
OHY125J12	1SCA022381R1720	Pistol handles for base and DIN-rail mounted switches	121
OHB145J12	1SCA022381R2110	Pistol handles for base and DIN-rail mounted switches	121
OHY145J12	1SCA022381R2370	Pistol handles for base and DIN-rail mounted switches	121
OHB65J6T	1SCA022399R8110	Pistol handles for base and DIN-rail mounted switches	121
OHY65J6T	1SCA022456R9540	Pistol handles for base and DIN-rail mounted switches	121

Type	Order number	Description	Page
OHB125J12T	1SCA022652R2220	Pistol handles for base and DIN-rail mounted switches	121
OHB95J12T	1SCA022736R1750	Pistol handles for base and DIN-rail mounted switches	121
OHY95J12T	1SCA022736R1910	Pistol handles for base and DIN-rail mounted switches	121
OHG145J12	1SCA132709R1001	Pistol handles for base and DIN-rail mounted switches	121
OHB45J6	1SCA022380R8770	Pistol handles for base and DIN-rail mounted switches OT16...125F and OT160G	41
OHG45J6	1SCA022380R8850	Pistol handles for base and DIN-rail mounted switches OT16...125F and OT160G	41
OHY45J6	1SCA022380R8930	Pistol handles for base and DIN-rail mounted switches OT16...125F and OT160G	41
OTPE40FP	1SCA104995R1001	Protective earth	52
OTPE125FP	1SCA105128R1001	Protective earth	52
OTPE80FD	1SCA105446R1001	Protective earth	52
OTPE80FP	1SCA105448R1001	Protective earth	52
OTPE125FD	1SCA105698R1001	Protective earth	52
OTPE40FD	1SCA109884R1001	Protective earth	52
OTPE60FP	1SCA111016R1001	Protective earth	174
OZ331P67B	1SCA111427R1001	Round padlockable handles for base and DIN-rail mounted switches OT16...125	41
OZ331P67RY	1SCA111429R1001	Round padlockable handles for base and DIN-rail mounted switches OT16...125	41
OZ371PB	1SCA111684R1001	Round padlockable handles for base and DIN-rail mounted switches OT16...125	41
OZ371PRY	1SCA111685R1001	Round padlockable handles for base and DIN-rail mounted switches OT16...125	41
OZ331SPB	1SCA112983R1001	Round padlockable handles for base and DIN-rail mounted switches OT16...125	41
OZ331SPRY	1SCA113097R1001	Round padlockable handles for base and DIN-rail mounted switches OT16...125	41
OHBS1AH	1SCA102680R1001	Selector handles for base and DIN-rail mounted switches	39
OHBS1AH1	1SCA105210R1001	Selector handles for base and DIN-rail mounted switches	39
OHBS2AJ	1SCA105213R1001	Selector handles for base and DIN-rail mounted switches	39
OHBS2AJ1	1SCA105215R1001	Selector handles for base and DIN-rail mounted switches	39
OHBS2AJ1EH	1SCA105217R1001	Selector handles for base and DIN-rail mounted switches	39
OHBS3AH	1SCA105234R1001	Selector handles for base and DIN-rail mounted switches	39
OHBS3AH1	1SCA105235R1001	Selector handles for base and DIN-rail mounted switches	39
OHYS1AH	1SCA105290R1001	Selector handles for base and DIN-rail mounted switches	39
OHYS1AH1	1SCA105291R1001	Selector handles for base and DIN-rail mounted switches	39
OHYS2AJ	1SCA105296R1001	Selector handles for base and DIN-rail mounted switches	39

Switch-disconnectors

Index

Type	Order number	Description	Page	Type	Order number	Description	Page
OHYS2AJ1	1SCA105297R1001	Selector handles for base and DIN-rail mounted switches	39	OX6X105	1SCA111930R1001	Shafts for round padlockable handles	46
OHYS3AH	1SCA105325R1001	Selector handles for base and DIN-rail mounted switches	39	OX6X115	1SCA111931R1001	Shafts for round padlockable handles	46
OHYS3AH1	1SCA105326R1001	Selector handles for base and DIN-rail mounted switches	39	OX6X200	1SCA111932R1001	Shafts for round padlockable handles	46
OHBS2AJEH	1SCA108230R1001	Selector handles for base and DIN-rail mounted switches	39	OX6X300	1SCA111933R1001	Shafts for round padlockable handles	46
OHBS1PH	1SCA105211R1001	Selector handles for door mounted switches	40	OX6X85	1SCA101647R1001	Shafts for selector handles	46
OHBS1RH	1SCA105212R1001	Selector handles for door mounted switches	40	OX6X120	1SCA101654R1001	Shafts for selector handles	46
OHBS2PJ	1SCA105231R1001	Selector handles for door mounted switches	40	OX6X130	1SCA101655R1001	Shafts for selector handles	46
OHBS3PH	1SCA105236R1001	Selector handles for door mounted switches	40	OX6X160	1SCA101656R1001	Shafts for selector handles	46
OHBS3RH	1SCA105237R1001	Selector handles for door mounted switches	40	OX6X180	1SCA101659R1001	Shafts for selector handles	46
OHYS1PH	1SCA105294R1001	Selector handles for door mounted switches	40	OX6X250	1SCA101660R1001	Shafts for selector handles	46
OHYS2PJ	1SCA105322R1001	Selector handles for door mounted switches	40	OX6X330	1SCA101661R1001	Shafts for selector handles	46
OHYS2RJ	1SCA105323R1001	Selector handles for door mounted switches	40	OX6X105	1SCA108043R1001	Shafts for selector handles	46
OHYS3PH	1SCA105327R1001	Selector handles for door mounted switches	40	OZXB4K	1SCA022199R2850	Shrouds for terminal clamps	134
OHYS3RH	1SCA105328R1001	Selector handles for door mounted switches	40	OZXB2K	1SCA022264R0010	Shrouds for terminal clamps	134
OHZX11	1SCA022708R3170	Shaft alignment ring	47	OZXB3K	1SCA022264R0440	Shrouds for terminal clamps	134
OZG71	1SCA111686R1001	Shaft alignment ring	47	OZXB5K	1SCA022283R8040	Shrouds for terminal clamps	134
OHZX10	1SCA022661R3610	Shaft alignment ring	129	OT200US03	1SCA022870R6290	Side operated non-fusible disconnect switches, base mounting, UL/CSA	88
OXT20X210X	1SCA103684R1001	Shaft alignment ring	129	OT200US04	1SCA022870R6370	Side operated non-fusible disconnect switches, base mounting, UL/CSA	88
OETLZX58	1SCA022068R8220	Shaft support for long shafts	47	OT200US03K	1SCA022870R6450	Side operated non-fusible disconnect switches, base mounting, UL/CSA	88
OX6X150	1SCA022295R5600	Shafts for pistol handles	46	OT200US04K	1SCA022870R6530	Side operated non-fusible disconnect switches, base mounting, UL/CSA	88
OX6X170	1SCA108224R1001	Shafts for pistol handles	46	OT400US03	1SCA022870R6610	Side operated non-fusible disconnect switches, base mounting, UL/CSA	88
OX6X265	1SCA108225R1001	Shafts for pistol handles	46	OT400US04	1SCA022870R6700	Side operated non-fusible disconnect switches, base mounting, UL/CSA	88
OX6X400	1SCA108226R1001	Shafts for pistol handles	46	OT400US03K	1SCA022870R6880	Side operated non-fusible disconnect switches, base mounting, UL/CSA	88
OX6X325	1SCA022042R5810	Shafts for pistol handles	127	OT400US04K	1SCA022870R6960	Side operated non-fusible disconnect switches, base mounting, UL/CSA	88
OX6X395	1SCA022042R5990	Shafts for pistol handles	127	OT600US03	1SCA022870R7000	Side operated non-fusible disconnect switches, base mounting, UL/CSA	88
OX6X465	1SCA022042R6020	Shafts for pistol handles	127	OT600US04	1SCA022870R7260	Side operated non-fusible disconnect switches, base mounting, UL/CSA	88
OX6X535	1SCA022042R6110	Shafts for pistol handles	127	OT600US03K	1SCA022870R7340	Side operated non-fusible disconnect switches, base mounting, UL/CSA	88
OX6X290	1SCA022042R6370	Shafts for pistol handles	127	OT600US04K	1SCA022870R7420	Side operated non-fusible disconnect switches, base mounting, UL/CSA	88
OX6X130	1SCA022057R0570	Shafts for pistol handles	127	OT200ES03	1SCA022860R0200	Side operated switch-disconnectors, base mounting, IEC	83
OX6X161	1SCA022067R1760	Shafts for pistol handles	127	OT200ES04	1SCA022860R0540	Side operated switch-disconnectors, base mounting, IEC	83
OX6X280	1SCA022137R5140	Shafts for pistol handles	127	OT200ES03K	1SCA022860R0620	Side operated switch-disconnectors, base mounting, IEC	83
OX6X210	1SCA022295R6080	Shafts for pistol handles	127				
OX6X185	1SCA022325R6710	Shafts for pistol handles	127				
OX6X250	1SCA022325R6980	Shafts for pistol handles	127				
OX6X166	1SCA022325R7100	Shafts for pistol handles	127				
OX6X85	1SCA111274R1001	Shafts for round padlockable handles	46				
OX6X155	1SCA111275R1001	Shafts for round padlockable handles	46				
OX6X60	1SCA111459R1001	Shafts for round padlockable handles	46				
OX6X130	1SCA111460R1001	Shafts for round padlockable handles	46				

Switch-disconnectors

Index

Type	Order number	Description	Page
OT200ES04K	1SCA022860R0710	Side operated switch-disconnectors, base mounting, IEC	83
OT250ES03	1SCA022860R0890	Side operated switch-disconnectors, base mounting, IEC	83
OT250ES03K	1SCA022860R0970	Side operated switch-disconnectors, base mounting, IEC	83
OT250ES04	1SCA022860R1010	Side operated switch-disconnectors, base mounting, IEC	83
OT250ES04K	1SCA022860R1190	Side operated switch-disconnectors, base mounting, IEC	83
OT315ES03	1SCA022860R1270	Side operated switch-disconnectors, base mounting, IEC	83
OT315ES03K	1SCA022860R1350	Side operated switch-disconnectors, base mounting, IEC	83
OT315ES04	1SCA022860R1510	Side operated switch-disconnectors, base mounting, IEC	83
OT315ES04K	1SCA022860R1600	Side operated switch-disconnectors, base mounting, IEC	83
OT400ES03	1SCA022860R1780	Side operated switch-disconnectors, base mounting, IEC	83
OT400ES03K	1SCA022860R1860	Side operated switch-disconnectors, base mounting, IEC	83
OT400ES04	1SCA022860R1940	Side operated switch-disconnectors, base mounting, IEC	83
OT400ES04K	1SCA022860R2080	Side operated switch-disconnectors, base mounting, IEC	83
OT630ES03	1SCA022860R2240	Side operated switch-disconnectors, base mounting, IEC	83
OT630ES03K	1SCA022860R2320	Side operated switch-disconnectors, base mounting, IEC	83
OT630ES04	1SCA022860R2410	Side operated switch-disconnectors, base mounting, IEC	83
OT630ES04K	1SCA022860R2590	Side operated switch-disconnectors, base mounting, IEC	83
OT800ES03	1SCA022860R2670	Side operated switch-disconnectors, base mounting, IEC	83
OT800ES03K	1SCA022860R2750	Side operated switch-disconnectors, base mounting, IEC	83
OT800ES04	1SCA022860R2830	Side operated switch-disconnectors, base mounting, IEC	83
OT800ES04K	1SCA022860R2910	Side operated switch-disconnectors, base mounting, IEC	83
OT160EVS03	1SCA120563R1001	Side operated switch-disconnectors, base mounting, IEC	83
OT160EVS04	1SCA120564R1001	Side operated switch-disconnectors, base mounting, IEC	83
OT160EVS04K	1SCA120565R1001	Side operated switch-disconnectors, base mounting, IEC	83
OT160EVS03K	1SCA120570R1001	Side operated switch-disconnectors, base mounting, IEC	83
OHM65L6	1SCA022739R1070	Stainless steel pistol handles	122
OHM125L12	1SCA022739R1150	Stainless steel pistol handles	122
OHM175L12	1SCA022739R1230	Stainless steel pistol handles	122
OHM275L12	1SCA022832R4840	Stainless steel pistol handles	122
OHM200L12P	1SCA104439R1001	Stainless steel pistol handles	122
OZXB2	1SCA022119R7610	Terminal clamp sets for Al- and Cu-cables	136
OZXB3	1SCA022136R8100	Terminal clamp sets for Al- and Cu-cables	136
OZXB5	1SCA022137R2470	Terminal clamp sets for Al- and Cu-cables	136

Type	Order number	Description	Page
OZXB4	1SCA022137R4760	Terminal clamp sets for Al- and Cu-cables	136
OZXB6	1SCA022137R4920	Terminal clamp sets for Al- and Cu-cables	136
OZXB2L	1SCA022158R7750	Terminal clamp sets for Al- and Cu-cables	136
OZXB1L	1SCA022169R2030	Terminal clamp sets for Al- and Cu-cables	136
OZXB7	1SCA022185R0040	Terminal clamp sets for Al- and Cu-cables	136
OZXB7L	1SCA022185R7130	Terminal clamp sets for Al- and Cu-cables	136
OZXB1L/1	1SCA022194R0030	Terminal clamp sets for Al- and Cu-cables	136
OZXB2/1	1SCA022194R0200	Terminal clamp sets for Al- and Cu-cables	136
OZXB2L/1	1SCA022194R0460	Terminal clamp sets for Al- and Cu-cables	176
OZXB3/1	1SCA022194R0620	Terminal clamp sets for Al- and Cu-cables	177
OZXB4/1	1SCA022194R0890	Terminal clamp sets for Al- and Cu-cables	177
OZXB5/1	1SCA022194R1010	Terminal clamp sets for Al- and Cu-cables	177
OZXB6/1	1SCA022194R1270	Terminal clamp sets for Al- and Cu-cables	177
OZXB7/1	1SCA022194R1430	Terminal clamp sets for Al- and Cu-cables	136
OZXB7L/1	1SCA022194R1600	Terminal clamp sets for Al- and Cu-cables	176
OZXL1	1SCA022439R6770	Terminal clamp sets for Al- and Cu-cables	176
OZXL1/1	1SCA022469R6220	Terminal clamp sets for Al- and Cu-cables	176
OZXB8	1SCA022744R1510	Terminal clamp sets for Al- and Cu-cables	176
OZXB8/1	1SCA022744R1600	Terminal clamp sets for Al- and Cu-cables	136
OZXB9	1SCA022750R3210	Terminal clamp sets for Al- and Cu-cables	176
OZXB9/1	1SCA022750R3300	Terminal clamp sets for Al- and Cu-cables	136
OZXR95	1SCA115530R1001	Terminal clamp sets for Al- and Cu-cables for IEC versions	137
OZXR185	1SCA115531R1001	Terminal clamp sets for Al- and Cu-cables for IEC versions	137
OZXR240	1SCA115532R1001	Terminal clamp sets for Al- and Cu-cables for IEC versions	137
OZXR300	1SCA115533R1001	Terminal clamp sets for Al- and Cu-cables for IEC versions	137
OZXR2X185	1SCA115534R1001	Terminal clamp sets for Al- and Cu-cables for IEC versions	137
OZXR2X300	1SCA115535R1001	Terminal clamp sets for Al- and Cu-cables for IEC versions	137
OZXP95	1SCA115539R1001	Terminal clamp sets for Al- and Cu-cables for IEC versions	137
OZXP240	1SCA115542R1001	Terminal clamp sets for Al- and Cu-cables for IEC versions	137
OZXP2X240	1SCA115544R1001	Terminal clamp sets for Al- and Cu-cables for IEC versions	137
OZXT1	1SCA022469R6310	Terminal clamp sets for Al- and Cu-cables, insulated versions	54

Switch-disconnectors

Index

Type	Order number	Description	Page	Type	Order number	Description	Page
OZXT2	1SCA022620R7200	Terminal clamp sets for Al- and Cu-cables, insulated versions	54	OTS1600G1S/4	1SCA022871R9860	Terminal shrouds for switches, snap-on mounting, grey	134
OZXT3	1SCA022639R0720	Terminal clamp sets for Al- and Cu-cables, insulated versions	54	OTS2500G1S/3	1SCA107260R1001	Terminal shrouds for switches, snap-on mounting, grey	134
OZXT6	1SCA122537R1001	Terminal clamp sets for Al- and Cu-cables, insulated versions	176	OTS2500G1L/3	1SCA107261R1001	Terminal shrouds for switches, snap-on mounting, grey	134
OTS250G1L/3	1SCA022731R8150	Terminal shrouds for OT switches, snap-on mounting, grey	134	OTS2500G1L/4	1SCA107262R1001	Terminal shrouds for switches, snap-on mounting, grey	134
OTS250G1L/4	1SCA022731R8230	Terminal shrouds for OT switches, snap-on mounting, grey	134	OTS2500G1S/4	1SCA107271R1001	Terminal shrouds for switches, snap-on mounting, grey	134
OTS250G1S/3	1SCA022731R8310	Terminal shrouds for OT switches, snap-on mounting, grey	134	OTS4000G1L/3	1SCA129042R1001	Terminal shrouds for switches, snap-on mounting, grey	134
OTS250G1S/4	1SCA022731R8400	Terminal shrouds for OT switches, snap-on mounting, grey	134	OTS4000G1L/4	1SCA129043R1001	Terminal shrouds for switches, snap-on mounting, grey	134
OTS400G1L/3	1SCA022736R8840	Terminal shrouds for OT switches, snap-on mounting, grey	134	OTS4000G1S/3	1SCA129044R1001	Terminal shrouds for switches, snap-on mounting, grey	134
OTS400G1S/3	1SCA022736R9060	Terminal shrouds for OT switches, snap-on mounting, grey	134	OTS4000G1S/4	1SCA129045R1001	Terminal shrouds for switches, snap-on mounting, grey	134
OTS400G1L/4	1SCA022736R9490	Terminal shrouds for OT switches, snap-on mounting, grey	134	XP6X170-45	1SCA108227R1001	Twisted shafts	46
OTS400G1S/4	1SCA022736R9650	Terminal shrouds for OT switches, snap-on mounting, grey	134	XP6X265-45	1SCA108228R1001	Twisted shafts	46
OTS800G1L/3	1SCA022776R7890	Terminal shrouds for OT switches, snap-on mounting, grey	134	XP6X400-45	1SCA108229R1001	Twisted shafts	46
OTS800G1L/4	1SCA022776R7970	Terminal shrouds for OT switches, snap-on mounting, grey	134	XP12X250-45	1SCA022293R9400	Twisted shafts for pistol handles	128
OTS800G1S/3	1SCA022776R8190	Terminal shrouds for OT switches, snap-on mounting, grey	134	XP6X210-45	1SCA022294R4230	Twisted shafts for pistol handles	128
OTS800G1S/4	1SCA022776R8270	Terminal shrouds for OT switches, snap-on mounting, grey	134	XP6X150-45	1SCA022294R4400	Twisted shafts for pistol handles	128
OTS63T3	1SCA022353R6750	Terminal shrouds for OT switches, snap-on mounting, transparent	53	XP6X290-45	1SCA022304R4290	Twisted shafts for pistol handles	128
OTS63T1	1SCA022353R6910	Terminal shrouds for OT switches, snap-on mounting, transparent	53	XP12X325-45	1SCA022304R4450	Twisted shafts for pistol handles	128
OTS125T3	1SCA022379R9680	Terminal shrouds for OT switches, snap-on mounting, transparent	53	XP6X130-45	1SCA022355R9110	Twisted shafts for pistol handles	128
OTS125T1	1SCA022379R9760	Terminal shrouds for OT switches, snap-on mounting, transparent	53	XP12X280-45	1SCA022382R0800	Twisted shafts for pistol handles	128
OTS125T3P	1SCA022491R9890	Terminal shrouds for OT switches, snap-on mounting, transparent	53	XP12X465-45	1SCA022423R1770	Twisted shafts for pistol handles	128
OTS125T1P	1SCA022491R9970	Terminal shrouds for OT switches, snap-on mounting, transparent	53	XP12X535-45	1SCA022723R2940	Twisted shafts for pistol handles	128
OTS40T1	1SCA105314R1001	Terminal shrouds for OT switches, snap-on mounting, transparent	53	XP12X395-45	1SCA022749R0640	Twisted shafts for pistol handles	128
OTS40T3	1SCA105317R1001	Terminal shrouds for OT switches, snap-on mounting, transparent	53	PDAL2/220DC	1SCA112503R1001	Coil	71
OTS160G1L3	1SCA140414R1001	Terminal shrouds for OT switches, snap-on mounting, transparent	53	PDAL2/230AC50Hz	1SCA107102R1001	Coil	71
OTS160G1L4	1SCA140415R1001	Terminal shrouds for OT switches, snap-on mounting, transparent	53	PDAL2/240AC60Hz	1SCA111356R1001	Coil	71
OTS250G1L/3	1SCA022731R8150	Terminal shrouds for OTM switches, snap-on mounting, grey	175	PDAL2/24AC60Hz	1SCA111350R1001	Coil	71
OTS125T3	1SCA022379R9680	Terminal shrouds for OTM switches, snap-on mounting, transparent	175	PDAL2/24DC	1SCA106542R1001	Coil	71
OTS125T1	1SCA022379R9760	Terminal shrouds for OTM switches, snap-on mounting, transparent	175	PDAL2/48DC	1SCA107103R1001	Coil	71
OTS1600G1L/3	1SCA022871R9510	Terminal shrouds for switches, snap-on mounting, grey	134	PDAL2/60DC	1SCA107104R1001	Coil	71
OTS1600G1S/3	1SCA022871R9600	Terminal shrouds for switches, snap-on mounting, grey	134	SA1	GJF1 101 903 R000	Padlocking adapter	64
OTS1600G1L/4	1SCA022871R9780	Terminal shrouds for switches, snap-on mounting, grey	134	ST	1SCA022407R8210	Label carrier	51
				ST-E	1SCA022407R8300	Description label	51
				YASDA35	1SCA104400R1001	Metallic handle	48

For your notes

A series of horizontal dotted lines providing space for notes.

For your notes

Dotted lines for writing notes

Contact us

ABB Oy
Protection and Connection
P.O. Box 622
FI-65101 Vaasa, Finland
www.abb.com

You can find the address of your local sales organisation on the ABB homepage:

www.abb.com/contacts
> Low Voltage Products and Systems

Note: We reserve the right to make technical changes or modify the contents of this document without prior notice. With regard to purchase orders, the agreed particulars shall prevail. ABB AG does not accept any responsibility whatsoever for potential errors or possible lack of information in this document.

We reserve all rights in this document and in the subject matter and illustrations contained therein. Any reproduction, disclosure to third parties or utilization of its contents – in whole or in parts – is forbidden without prior written consent of ABB AG.

Copyright © 2018 ABB
All rights reserved