

● BIT	PAGE	69
● SKILLAIR	PAGE	77
● NEW DEAL	PAGE	89
● PRE-SET - PRESSURE	PAGE	103



● bit WATER FILTER REGULATOR

PAGE 70



● bit FILTER WITHOUT FILTERING ELEMENT

PAGE 71



● bit MICRO-REGULATORS WITH SPECIAL GREASE

PAGE 72



● bit MICRO-REGULATORS WITH SOME PARTS MISSING

PAGE 73



● bit MICRO-REGULATORS WITH SAFETY VALVE LOCK

PAGE 74



● R-FR bit BRACKET CENTRE DISTANCE 40 mm

PAGE 75

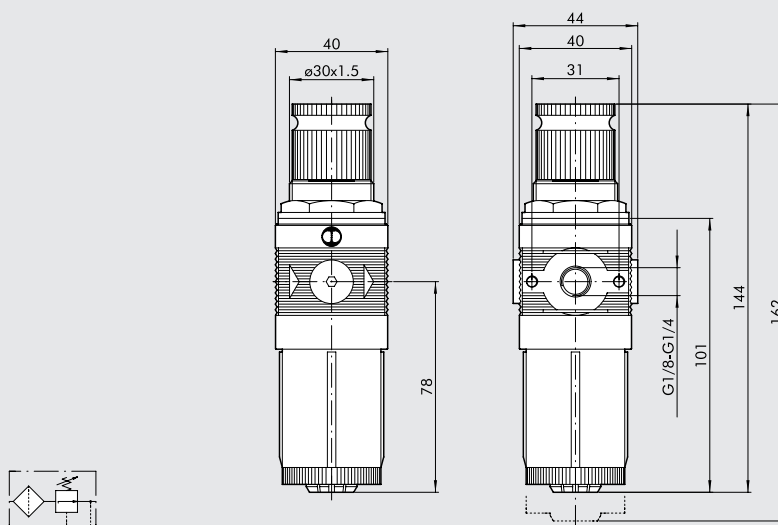
bit WATER FILTER REGULATOR

As there is no drainage point, these FR can be used with water.
The A7 caps are mounted at the front and rear. Instead of the RMSA there is a plastic cap similar to the one used for lubricator bowls.

NB. Refer to the general catalogue for technical data.



DIMENSIONS



ORDERING CODES

Code	Description
8826448	FRA BIT 1/8 20 08
8830184	FRA BIT 1/8 50 08
8293141	FRA BIT 1/4 20 08
8826110	FRA BIT 1/4 50 04
8849221	FRA BIT 1/4 50 08

NB. The serigraphy on the knob is light blue.

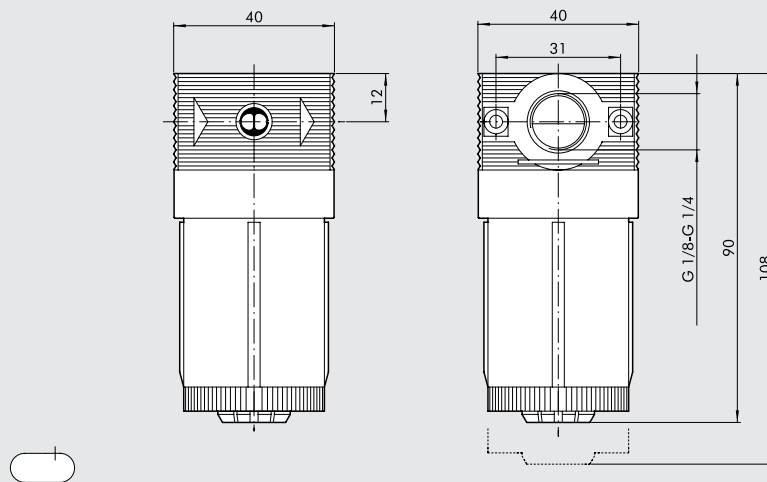
bit FILTER WITHOUT FILTERING ELEMENT

This is a standard filter without a filtering element that can be used as a tank.
 Instead of the RMSA there is a plastic cap similar to the one used for lubricator bowls.

NB. Refer to the general catalogue for technical data.



DIMENSIONS



ORDERING CODES

Code	Description
8292109	Fil BIT 1/8 without filtering element
8292111	Fil BIT 1/4 without filtering element

NB. Capacity: ~ 30 cm³.

bit MICRO-REGULATORS WITH SPECIAL GREASE

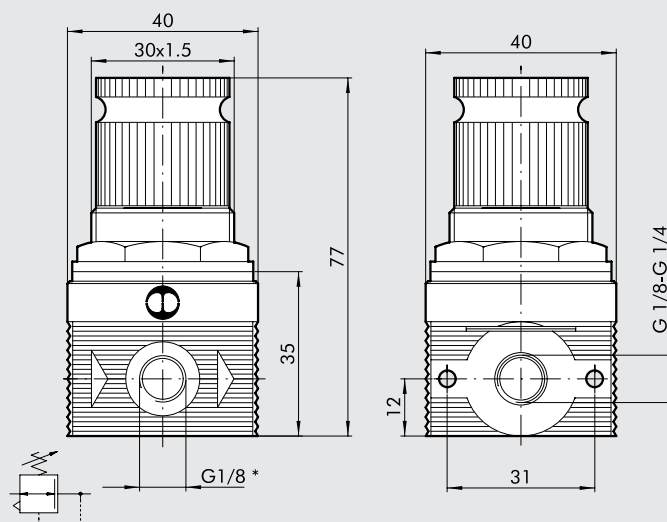
BERULUB OX 40 is used to lubricate the inner parts that come into contact with the flow of air oxygen-compatible grease. In this case, the compressed air that may come into contact with oxygen is not polluted.

NB. MW regulators have been designed and tested for use with compressed air. No claims can be made by the user if they are used with other fluids.

NB. Refer to the general catalogue for technical data.



DIMENSIONS



* Pressure gauge port

ORDERING CODES

Code	Description
8826701	MR Bit 1/8 02 with special grease

NOTES

BERULUB OX 40 EP: is a white silicone-based oil for oxygen installations, used as a lubricant in pressure reducers, valves and other equipment in healthcare sectors and for the lubrication of O-ring seals in autogenous welding systems.

At an operating temperature of 60° C, the pressure limit is 60 bar.

The temperature range is from -40 to +200°C.

Suitable for lubricating sliding and rolling elements made of metal (steel and non-ferrous metal) or synthetic material.

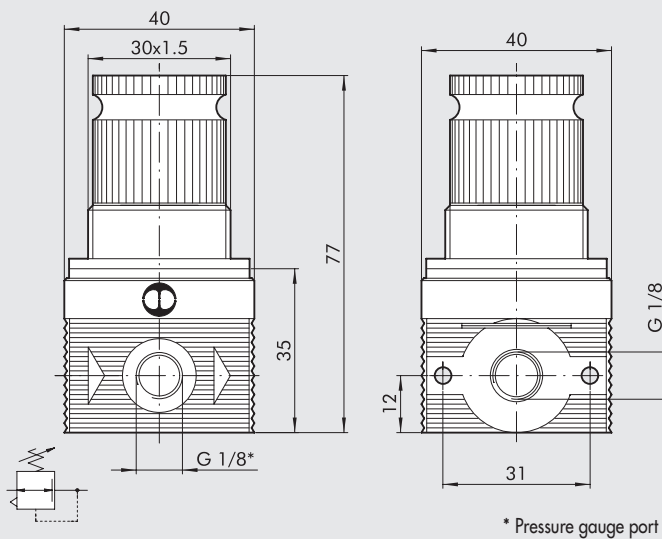
bit MICRO-REGULATORS WITH SOME PARTS MISSING

These bit micro-regulators are supplied incomplete for installation requirements.

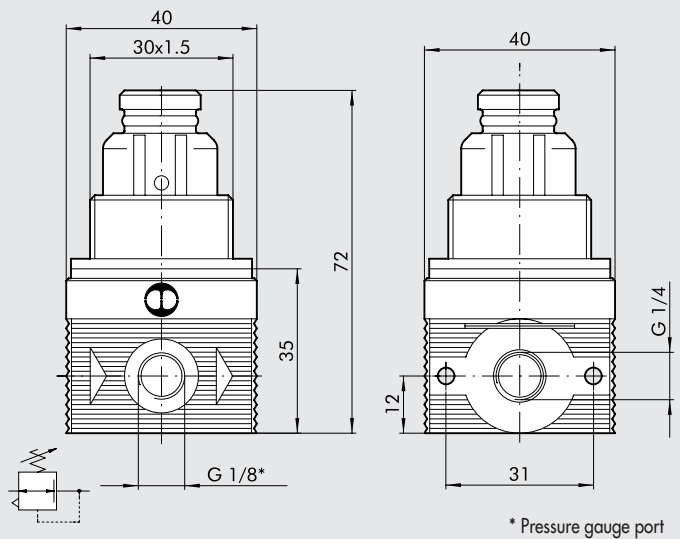
NB. Refer to the general catalogue for technical data.



WITHOUT RING NUT AND BOX



WITHOUT RING NUT AND KNOB



ORDERING CODES

Code	Description
8286801	MR BIT 1/8 04 without ring nut

NB. Supplied unpacked and without ring nut.

ORDERING CODES

Code	Description
8384501	MR BIT 1/4 02 without ring nut and knob
8384502	MR BIT 1/4 08 without ring nut and knob

NB. Supplied without fixed ring nut and without adjusting knob.

bit MICRO-REGULATORS WITH SAFETY VALVE LOCK

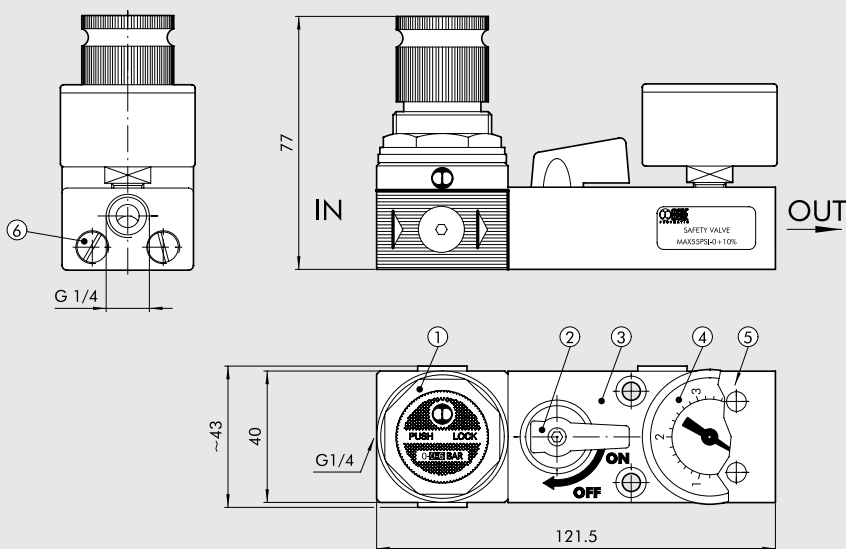
This comprises a bit unit that has been preset at max. 4 bar, a ball cock valve, a 0 to 4 bar pressure gauge and two safety valves set at 3.8 bar +0 / -10%.

It is used to supply compressed air to mixers and other devices where it is important for the pressure not to exceed the maximum value even when the regulator is faulty.



DIMENSIONS

- ① MR Bit 1/4 04 max 4 bar
- ② Ball tap
- ③ Painted aluminium body
- ④ Pressure gauge 04 Ø 40
- ⑤ Valve drain
- ⑥ Safety valves



ORDERING CODES

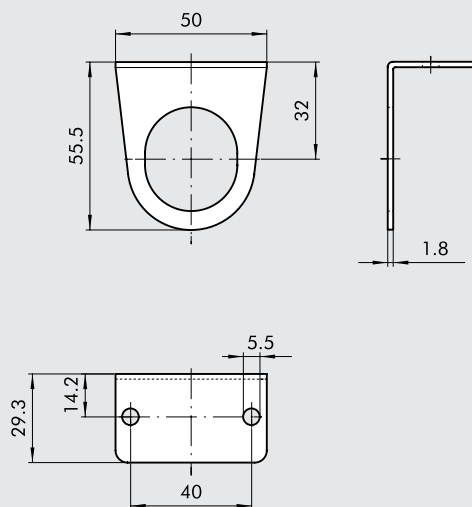
Code	Description
8825970	MR Bit + safety valve lock + ball cock valve

R-FR bit BRACKET CENTRE DISTANCE 40 mm

The centre distance of the fixing holes on this bracket is 40 mm.



DIMENSIONS



ORDERING CODES

Code	Description
8000210	R-FR fixing bracket centre distance 40

Material: white zinc-plated steel.

NOTES

UNITS

	● Skillair® 300 CLEANER WITHOUT FILTERING ELEMENT	PAGE 78
	● Skillair® 200 FILTER-REGULATOR WITH METAL BOWL	PAGE 79
	● Skillair® REGULATOR WITH FOOD INDUSTRY SUITABLE GREASE	PAGE 80
	● Skillair® REGULATORS WITH SPECIAL GREASE	PAGE 81
	● Skillair® SERVO PILOTED PILOT REGULATOR	PAGE 82
	● Skillair® 100 5-POSITION SUB-BASE	PAGE 83
	● Skillair® SHUT-OFF VALVE LOCKABLE IN 2 POSITIONS	PAGE 84
	● OIL CHECK VALVE WITH DRAIN Skillair® 100	PAGE 85
	● OIL CHECK VALVE Skillair® 200	PAGE 86
	● OIL CHECK VALVE Skillair® 300	PAGE 87

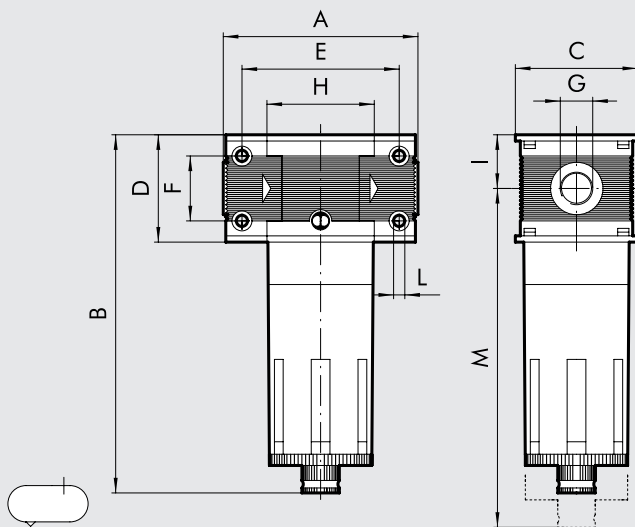
Skillair® 300 CLEANER WITHOUT FILTERING ELEMENT

This is an STD cleaner without a filtering element that can be used as a tank.

NB. Refer to the general catalogue for technical data.



DIMENSIONS



	DEP 300
Threaded port G	1/2"
A	110
B	195
C	72
D	65
E	92
F	42
H	65
I	32.5
L	M5 hole
M	215

ORDERING CODES

Code	Description
8825975	Dep 300 1/2 without filtering element

NB. The cup inside the bowl is made of nickel-plated OT58 brass.

NOTES

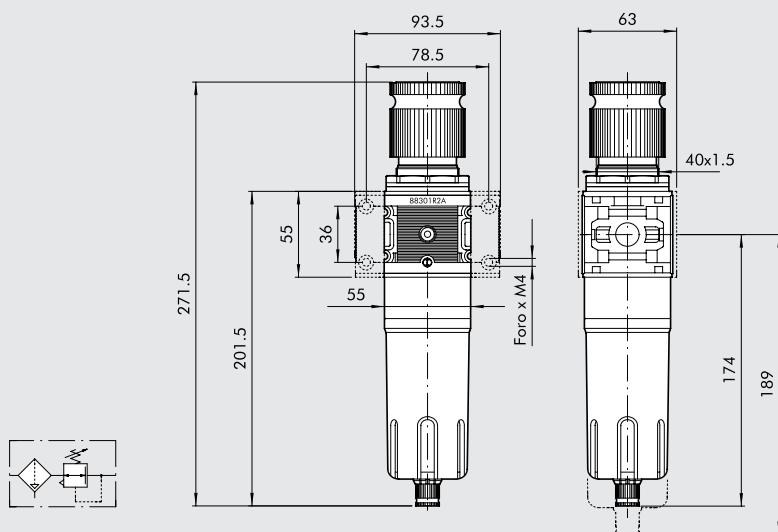
Skillair® 200 FILTER-REGULATOR WITH METAL BOWL



This is a FR with black painted aluminium bowl.
The inner cup is made of clear plastic.

NB. Refer to the general catalogue for technical data.

DIMENSIONS



ORDERING CODES

Code	Description
88301R2A	FR 200 20 08 with metal bowl without end plates

NB. The plates on the regulator body are marked with the part code.

NOTES

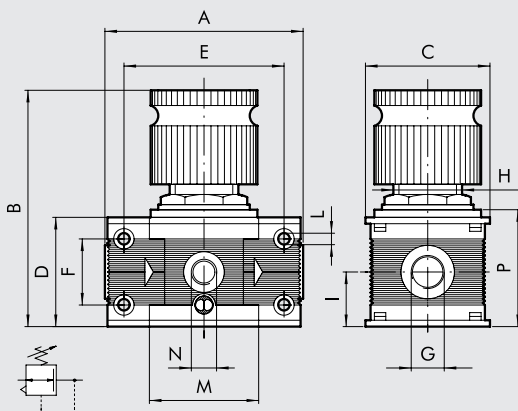
Skillair® REGULATOR WITH FOOD INDUSTRY SUITABLE GREASE

As it is compatible for use in the food industry, Molykote 111 grease is used to lubricate internal parts that come into contact with the air flow.

NB. Refer to the general catalogue for technical data.



DIMENSIONS



	REG 100		REG 200		
	1/4"	3/8"	1/4"	3/8"	1/2"
Threaded port G					
A	78			93.5	
B	98			125	
C	50			63	
D	43			55	
E	63			78.5	
F	26			36	
H	30 x 1.5			40 x 1.5	
I	21.5			27.5	
L	M4 hole			M5 hole	
M	43			55.5	
N (pressure gauge port)	1/8"			1/8"	
P	46			58	

ORDERING CODES

Code	Description
8825935	Reg 100 1/4 08 Molykote
8825960	Reg 200 1/2 08 Molykote

NOTES

Molykote 111: is a clear, high-viscosity white silicon grease approved by the British Standard WRC. It is important not to mix it with other types of grease.

Skillair® REGULATORS WITH SPECIAL GREASE



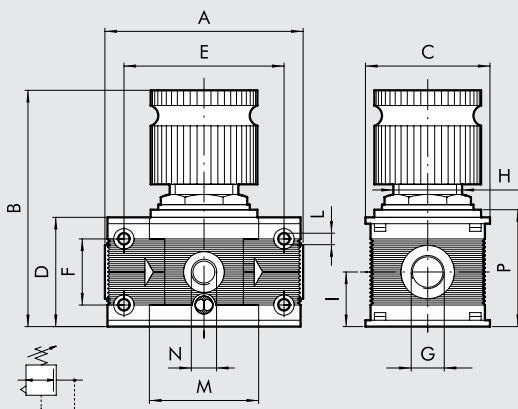
BERULUB OX 40 EP is used to lubricate the inner parts that come into contact with the flow of air oxygen-compatible grease. In this case, the compressed air that may come into contact with oxygen is not polluted.

NB. MW regulators have been designed and tested for use with compressed air. No claims can be made by the user if they are used with other fluids.

NB. Refer to the general catalogue for technical data.



DIMENSIONS



	REG 100		REG 300		
	1/4"	3/8"	1/2"	3/4"	1"
Threaded port G					
A	78		110		112
B	98			148	
C	50			72	
D	43			65	
E	63			92	
F	26			42	
H	30 x 1.5			48 x 1.5	
I	21.5			32.5	
L	M4 hole			M5 hole	
M	43			65	
N (pressure gauge port)	1/8"			1/8"	
P	46			69	

ORDERING CODES

Code	Description
8826185	Reg 100 3/8 012 with special grease
8826186	Reg 300 012 with special grease without end plates

NOTES

BERULUB OX 40 EP: is a white silicone-based oil for oxygen installations, used as a lubricant in pressure reducers, valves and other equipment in healthcare sectors and for the lubrication of O-ring seals in autogenous welding systems. At an operating temperature of 60° C, the pressure limit is 60 bar. The temperature range is from -40 to +200° C. Suitable for lubricating sliding and rolling elements made of metal (steel and non-ferrous metal) or synthetic material.

Skillair® SERVO PILOTED PILOT REGULATOR

This is made by combining the bottom of the pilot regulator and the top of the Skillair® pilot regulator.

- Double rolling diaphragm to ensure maximum stroke and flow rate.
- Low load losses.
- High in pressure setting accuracy.
- High sensitivity during relieving.

A slight air leak is required for correct operation of the regulator and is not to be considered as a malfunction.



UNITS

Skillair® SERVO PILOTED PILOT REGULATOR

TECHNICAL DATA

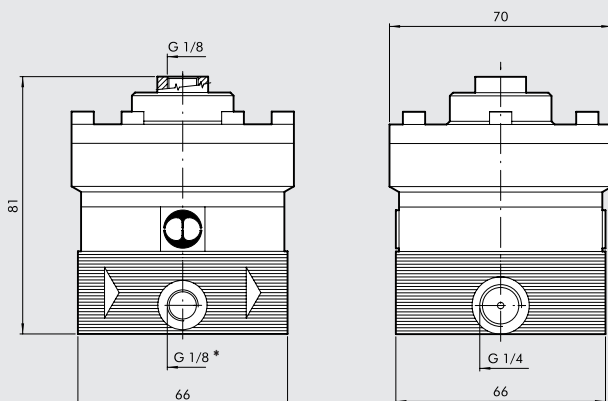
Threaded port	
Setting range	bar
Max. input pressure	MPa
	bar
	psi
Flow rate at 6.3 bar (0.63 MPa to 91psi) ΔP 0.5 bar (0.05 MPa to 7psi)	
Flow rate at 6.3 bar (0.63 MPa to 91psi) ΔP 1 bar (0.1 MPa to 14psi)	
Fluid	
Max temperature at 1 MPa; 10 bar; 145 psi	°C
	°F
Weight	kg
Mounting position	
Pressure gauge port	
Notes on use	

PILOT REGULATOR

1/4"
Depending on the pilot
1.3
13
188
120 NL/min - 4.3 scfm
140 NL/min - 5 scfm
Filtered, lubricated or unlubricated compressed air.
Lubrication, if used, must be continuous.
50
122
0.6
In any position
1/8"

The regulator pressure must always be set upwards
 For increased sensitivity, use a pressure regulator with a rated pressure
 as close as possible to the required value.
Do not take air from the pressure gauge ports. Mount directly on Reg 400.

DIMENSIONS



* Pressure gauge port

ORDERING CODES

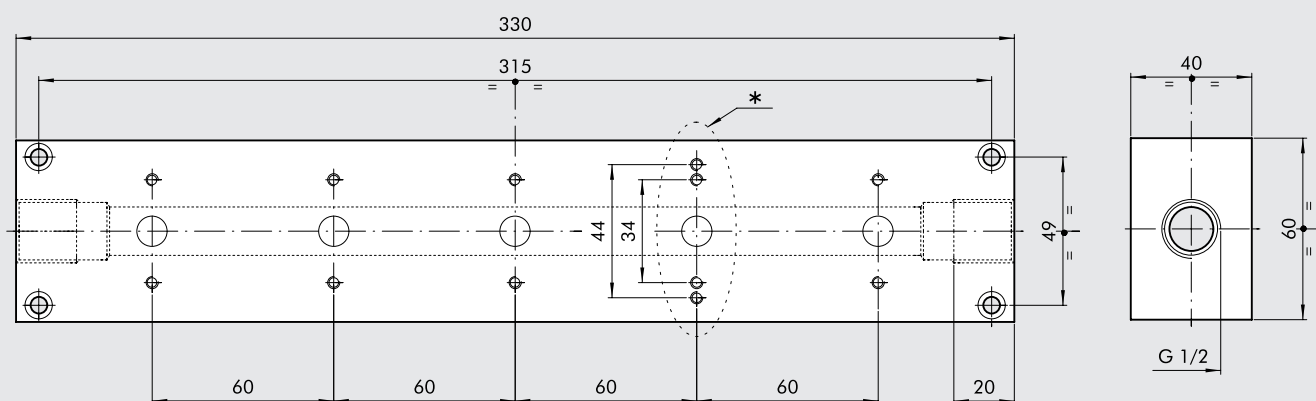
Code	Description
8293317	Reg P 1/4 pilot

Skillair® 100 5-POSITION SUB-BASE

A 5-position sub-base for the Skillair® 100.
The 4th position can be used for the Skillair® 200.



DIMENSIONS



* Position also compatible with Skillair® 200

ORDERING CODES

Code	Description
8000209	SK 100 5-position sub-base

NB. The code does not include adaptor bases.

NOTES

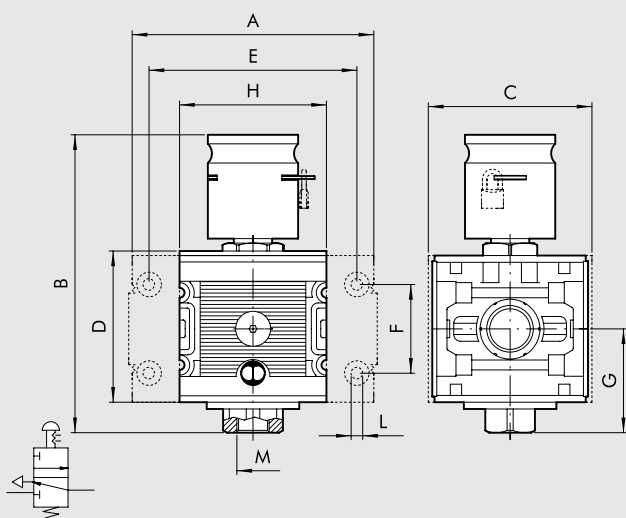
Skillair® SHUT-OFF VALVE LOCKABLE IN 2 POSITIONS

Unlike the standard V3V, which can only be locked in the closed position, this version can be locked during operation.

NB. Refer to the general catalogue for technical data.



DIMENSIONS



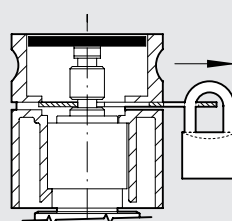
	V3V 100		V3V 200			V3V 300		
Threaded port G	1/4"	3/8"	1/4"	3/8"	1/2"	1/2"	3/4"	1"
A	78		93.5			110		112
B	106		119			132		
C	50		63			72		
D	43		55			65		
E	63		78.5			92		
F	26		36			42		
H	43		55.5			65		
I	33.5		40			46.5		
L	M4 hole		M5 hole			M5 hole		
M (relief)	1/8"		1/4"			3/8"		

ORDERING CODES

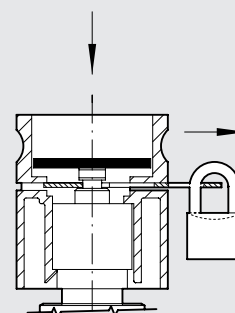
Code	Description
8286464A	V3V 100 lockable in 2 positions without end plates
8286465A	V3V 200 lockable in 2 positions without end plates
8286466A	V3V 300 lockable in 2 positions without end plates

OPERATION

DE-ACTIVATED

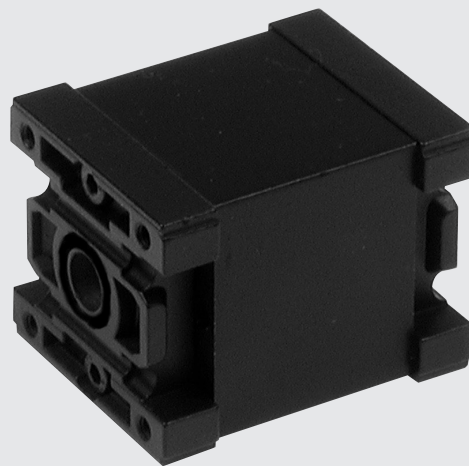


ACTIVATED



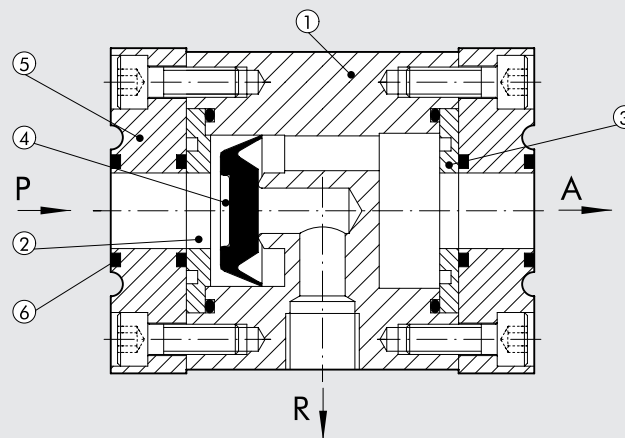
OIL CHECK VALVE WITH DRAIN Skillair® 100

This module can be inserted between two Skillair® 100 elements (e.g. a filter and a lubricator) to prevent the oil from returning due to back pressure. In this case oil is drained out via a 1/8" (R) threaded coupling.

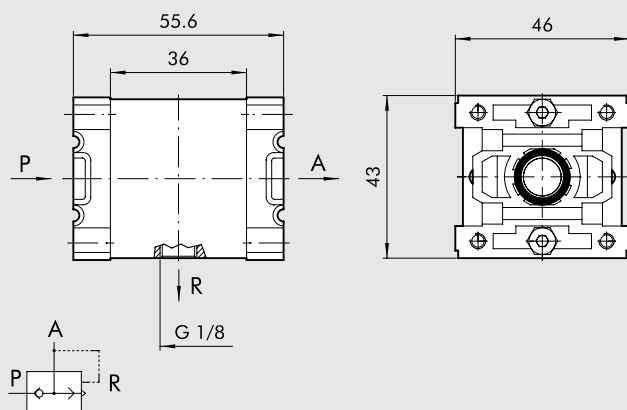


COMPONENTS

- ① Black anodised aluminium body
- ② Anodised aluminium input plate
- ③ Anodised aluminium output plate
- ④ Adiprene lip seal
- ⑤ Adaptor base made of zamak
- ⑥ NBR seals



DIMENSIONS



ORDERING CODES

Code	Description
8282717	VNRO 100

OIL CHECK VALVE

Skillair® 200

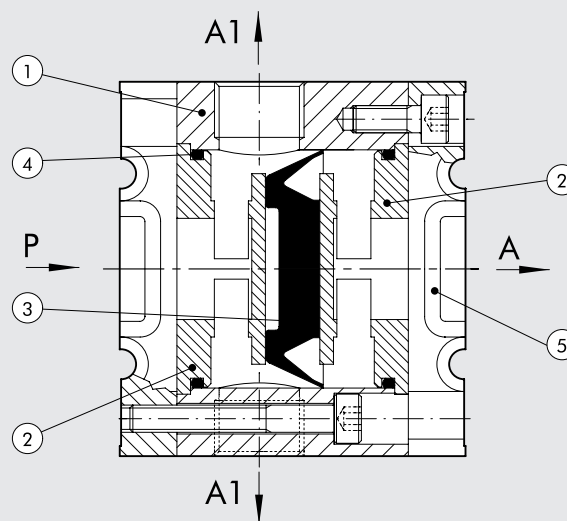
This module can be inserted between two Skillair® 200 elements (e.g. a filter and a lubricator) to prevent the oil from returning due to back pressure. 1/4" couplings (A1) to be used as air intakes are mounted before the VNRO.



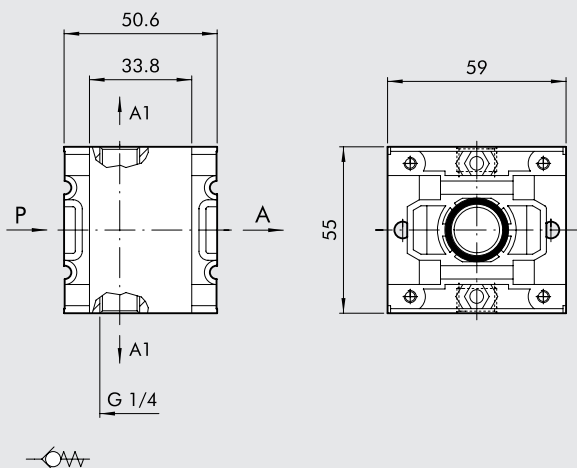
COMPONENTS

- ① Body made of black anodised aluminium
- ② Input spacer ring made of OT58 nickel-plated brass
- ③ Output spacer ring made of OT58 nickel-plated brass
- ④ Adiprene lip gasket
- ⑤ Adaptor base made of zamak

A1 = air intakes before VNRO



DIMENSIONS



ORDERING CODES

Code	Description
8331521	VNRO 200

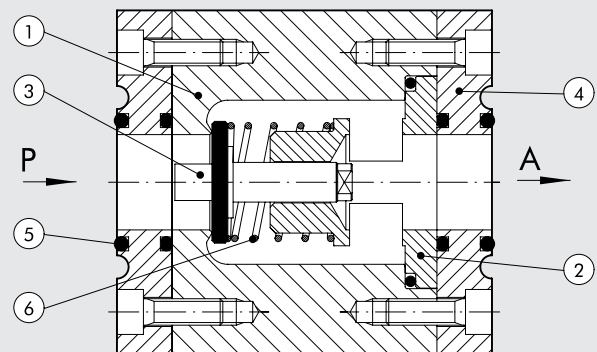
OIL CHECK VALVE Skillair® 300

This module can be inserted between two Skillair® 300 elements (e.g. a filter and a lubricator) to prevent the oil from returning due to back pressure.

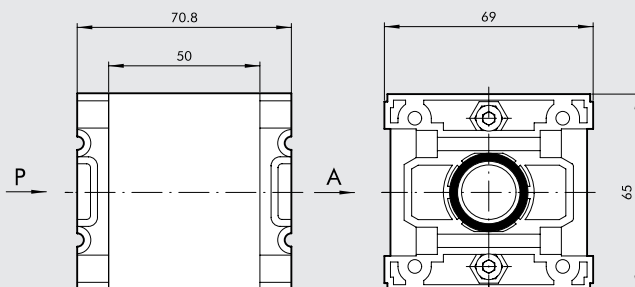


COMPONENTS

- ① Body made of black anodised aluminium
- ② spacer ring made of OT58 nickel-plated brass
- ③ Valve with NBR vulcanized gasket
- ④ Adaptor base made of zamak
- ⑤ NBR seals
- ⑥ Stainless steel valve spring



DIMENSIONS



ORDERING CODES












Code	Description
8149903	VNRO 300



NOTES

UNITS

SUMMARY Newdeal

	● New deal 1/4" FILTER-REGULATOR WITH NON-REGULATED AIR INTAKE	PAGE 90
	● New deal FILTERS WITHOUT FILTERING ELEMENT	PAGE 91
	● New deal 3/8" LUBRICATOR WITH OIL FILLING FROM THE TOP	PAGE 92
	● New deal BOTTON OIL FILLING LUBRICATOR	PAGE 93
	● New deal 1/4" AIR INTAKE WITH WALL FIXING	PAGE 94
	● New deal AIR INTAKE 3/8" - 1/2" SPECIAL	PAGE 95
	● New deal REGULATOR 1/2" WITHOUT RELIEVING	PAGE 96
	● New deal 1" REGULATOR WITH SPECIAL GREASE	PAGE 97
	● TANK-BOWL R1/2"	PAGE 98
	● OIL CHECK VALVE WITH DRAIN New deal 1/4"	PAGE 99
	● OIL CHECK VALVE New deal 3/8"-1/2"	PAGE 100
	● OIL CHECK VALVE New deal - TYPICAL ASSEMBLY	PAGE 101

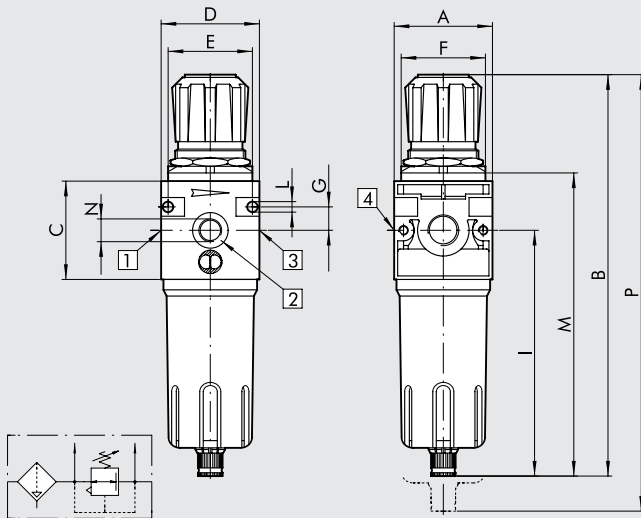
New deal 1/4" FILTER-REGULATOR WITH NON-REGULATED AIR INTAKE

The main feature of this filter-regulator is that the 1/8" front port (2) is connected to the filtered non-regulated air pipe, while the rear port (4) is connected to the filtered and regulated air pipe, as with standard ports.

NB. Refer to the general catalogue for technical data.



DIMENSIONS

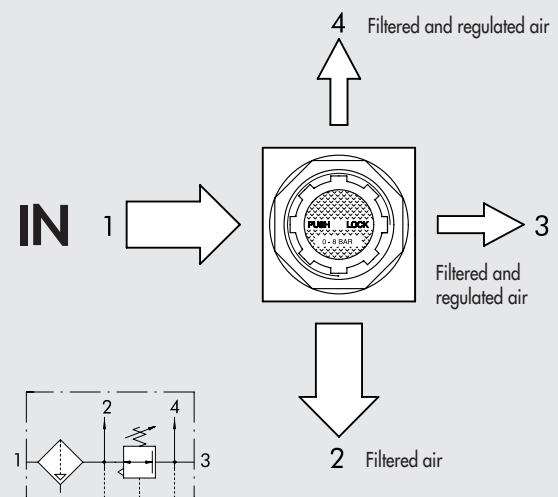


	FR ND 1/4"
Threaded port	1/4"
A	42
B	190
C	42
D	42
E	36
F	30 x 1.5
G	10
I	121
L	M4 hole
M	145
N	1/8"
P	233

ORDERING CODES

Code	Description
8293155	FR ND 1/4 20 08 RMSA

OPERATING SCHEME



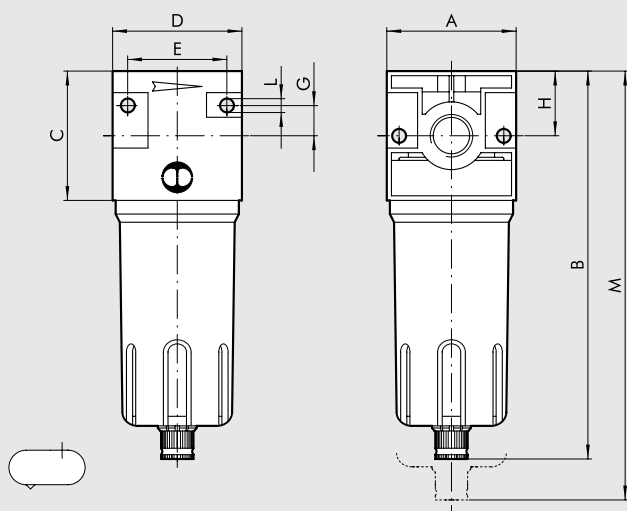
New deal FILTERS WITHOUT FILTERING ELEMENT

These are standard filters without a filtering element that can be used as tanks.

NB. Refer to the general catalogue for technical data.



DIMENSIONS



	FIL ND 3/8"	FIL ND 1/2"	FIL ND 3/4"	FIL ND 1"
Threaded port	3/8"	1/2"	3/4"	1"
A	60		80	
B	180		235	
C	60		80	
D	60		80	
E	46		66	
G	14		22	
H	30		40	
L	M4 hole		M6 hole	
M	230		325	

ORDERING CODES

Code	Description
8842323	Fil ND 3/8 without filtering element
8826446	Fil ND 1/2 without filtering element
8826449	Fil ND 1 without filtering element

Bowl capacity: ND 3/8-1/2 = ~ 200 cm³
ND 1 = ~ 490 cm³

NOTES

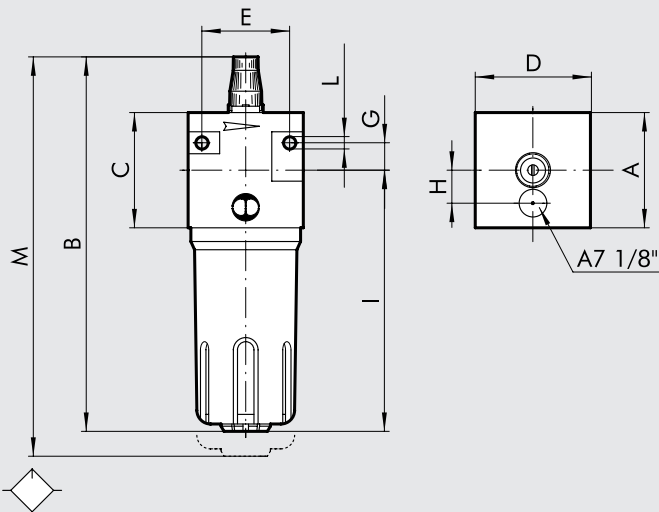
New deal 3/8" LUBRICATOR WITH OIL FILLING FROM THE TOP

This is a lubricator with a 1/8" hole at the top of the body to allow oil filling from the top without the need to remove the bowl. During use, the hole in the lubricator is plugged by an A7 fitting.

NB. Refer to the general catalogue for technical data.



DIMENSIONS



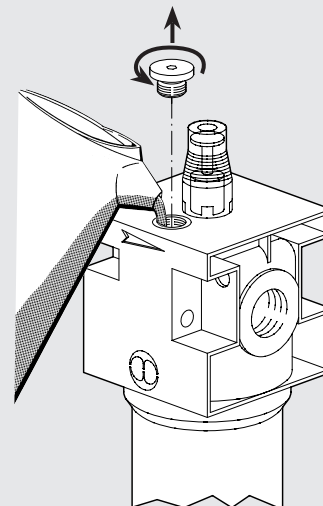
	LUB ND 3/8"
Threaded port	3/8"
A	60
B	195
C	60
D	60
E	46
G	14
H	17.2
I	136
L	M4 hole
M	220

ORDERING CODES

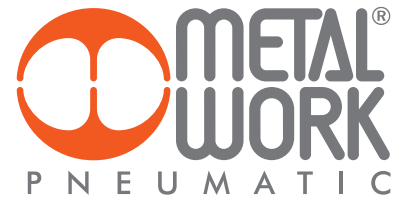
Code	Description
8283110	Lub ND 3/8 with oil filling from the top

NB. Disconnect the pressure feed before filling the system with oil.
The body is painted grey.

OPERATING SCHEME



New deal BOTTON OIL FILLING LUBRICATOR

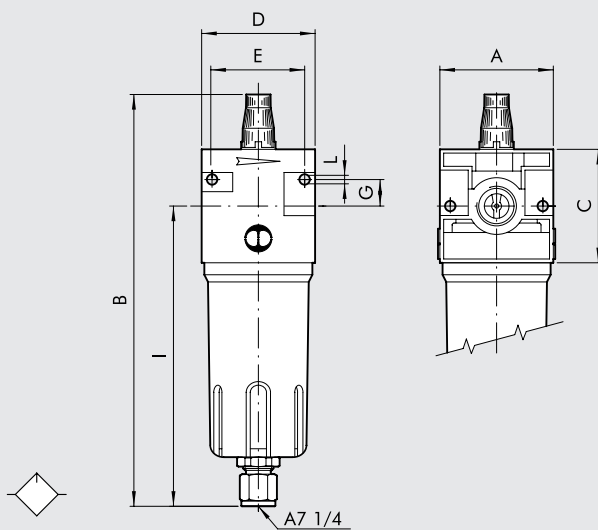


At the bottom of the bowl is a 1/4" fitting for oil filling without having to remove the bowl.
During use, the 1/4" hole in the lubricator is plugged by an A7 fitting, supplied with the lubricator.

NB. Refer to the general catalogue for technical data.



DIMENSIONS



	LUB ND 1/4"	LUB ND 1/2"	LUB ND 1"
Threaded port	1/4"	1/2"	1"
A	42	60	80
B	~179	~221	~286
C	42	60	80
D	42	60	80
E	32	46	66
G	10	14	22
I	~133	~162	~208
L	M4 hole	M4 hole	M6 hole

ORDERING CODES

Code	Description
8826439	Lub ND 1/4 with oil filling
8826440	Lub ND 3/8 with oil filling
8826441	Lub ND 1 with oil filling

NB. Supplied with 2 screws.

Disconnect the pressure feed before filling the system with oil.

NOTES

UNITS

New deal BOTTON OIL FILLING LUBRICATOR

Newdeal 1/4"

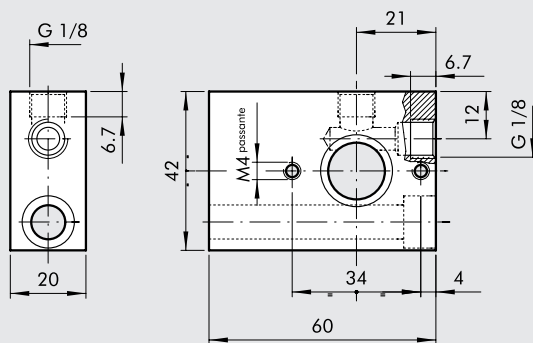
AIR INTAKE WITH WALL FIXING

The air intake has a depth of 60 mm to allow an New Deal 1/4" group to be fixed to the wall yet detached from it.

NB. With M4 fixing holes, the air intake cannot be connected directly to a regulator or filter-regulator.



DIMENSIONS

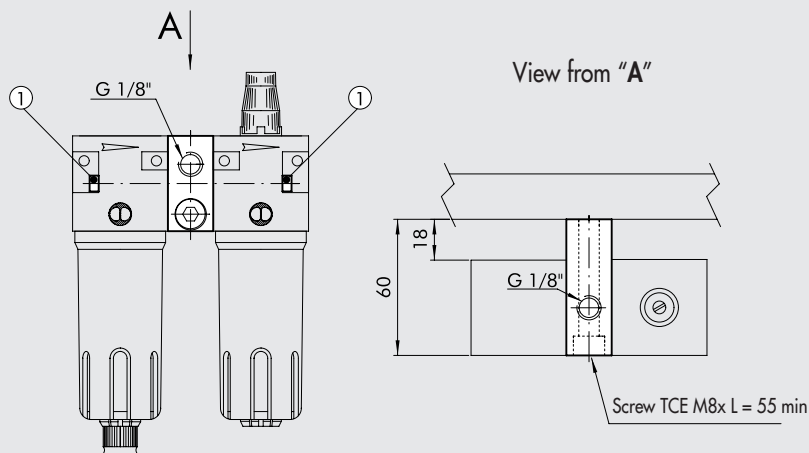


ORDERING CODES

Code	Description
8286810	New Deal 1/4 air intake L = 60

NB. Supplied complete with 4 M4x35 (1) securing screws and seal.
Material: black anodised aluminium.

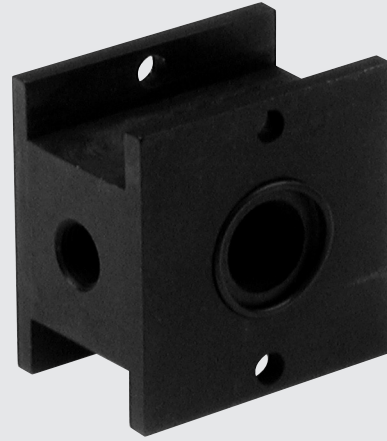
TYPICAL ASSEMBLY



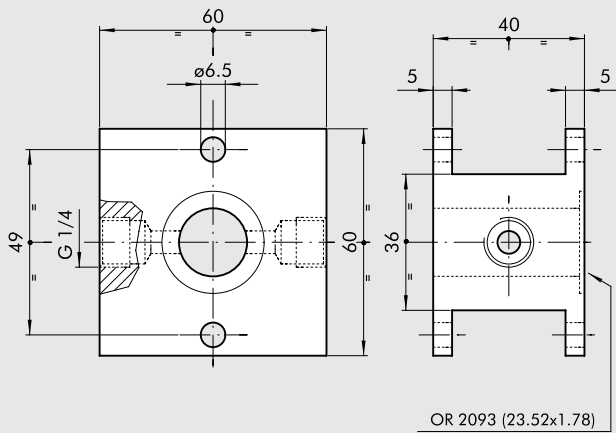
Newdeal AIR INTAKE 3/8" - 1/2" SPECIAL



Due to its special design, the PA can be inserted between 2 regulators using four M5x10 screws.
The air outlets are situated on opposite sides, so that can be one at the front and one at the rear (Fig. 1), or one at the top and one at the bottom by rotating PA by 90° (Fig. 2).



DIMENSIONS



ORDERING CODES

Code	Description
8096902	New Deal air intake 3/8-1/2 special

NB. Supplied complete with one O-ring seal.
Material: black anodised aluminium.

TYPICAL ASSEMBLY

Fig. 1

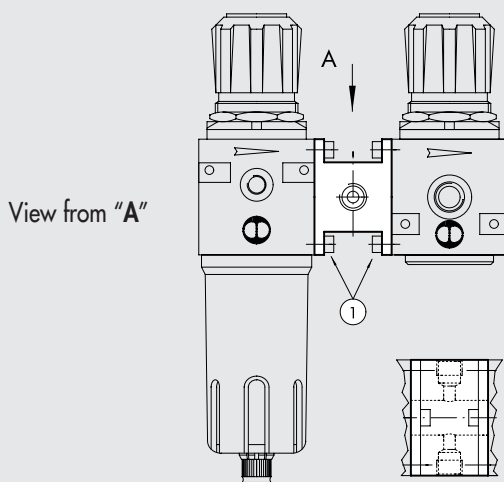
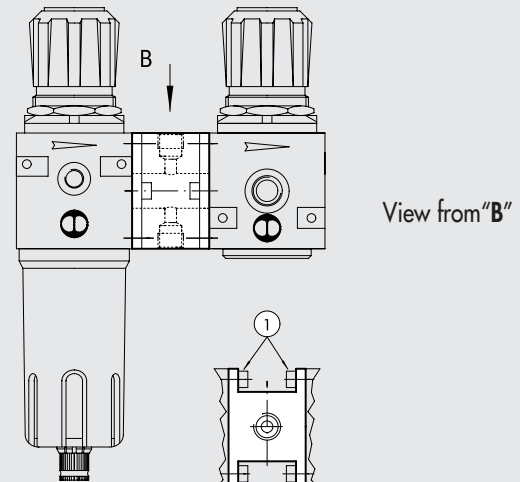


Fig. 2

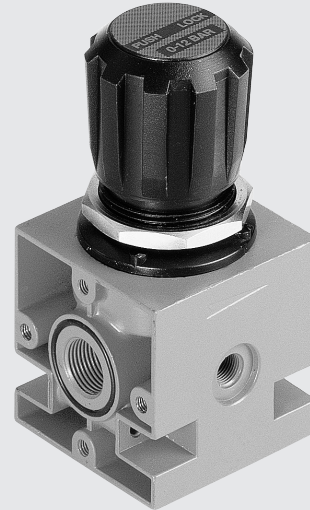


① Screws TCE M5x10

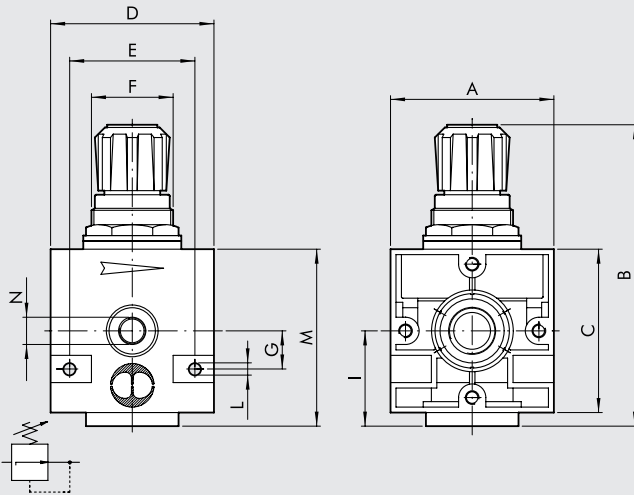
New deal REGULATOR 1/2" WITHOUT RELIEVING

A regulator without relieving, which means that any excess pressure is not discharged. It can be useful if the compressed air is to be discharged into the environment. It is not advisable to use it with water.

NB. Refer to the general catalogue for technical data.



DIMENSIONS



	REG ND 1/2"
Threaded port	1/2"
A	60
B	130
C	60
D	60
E	46
F	38 x 2
G	14
I	35
L	M4 hole
M	70
N	1/8

ORDERING CODES

Code	Description
8126801	Reg ND 1/2 08 without relieving

NB. The body is painted grey.

NOTES

New deal 1" REGULATOR WITH SPECIAL GREASE



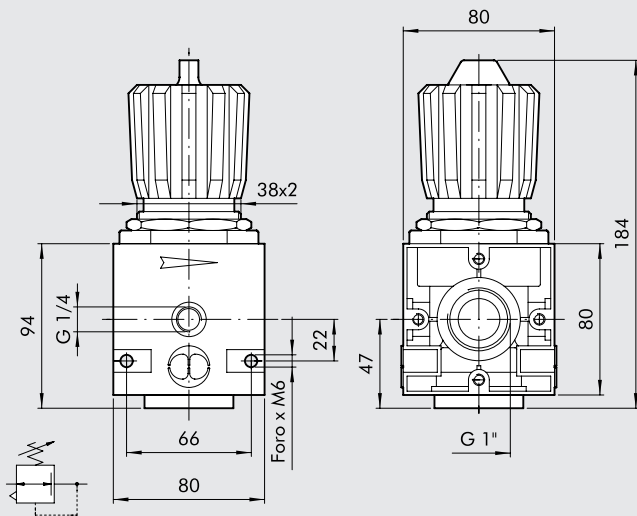
BERULUB OX 40 EP is used to lubricate the inner parts that come into contact with the flow of air oxygen-compatible grease. In this case, the compressed air that may come into contact with oxygen is not polluted.

NB. MW regulators have been designed and tested for use with compressed air. No claims can be made by the user if they are used with other fluids.

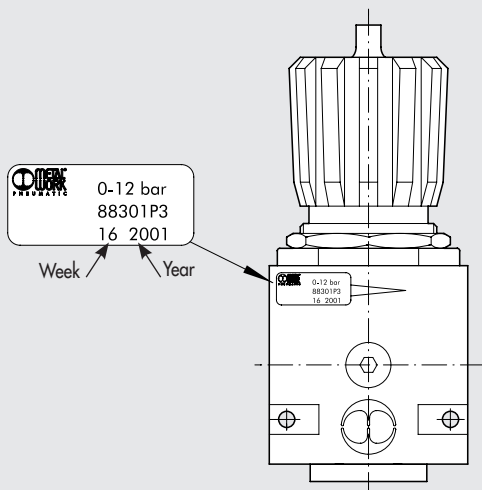
NB. Refer to the general catalogue for technical data.



DIMENSIONS



IDENTIFICATION LABEL



ORDERING CODES

Code	Description
88301P3	Reg ND 1 012 with special grease

NOTES

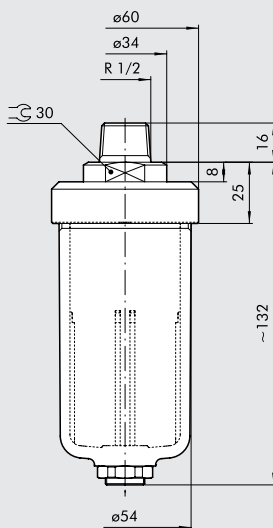
BERULUB OX 40 EP: is a white silicone-based oil for oxygen installations, used as a lubricant in pressure reducers, valves and other equipment in healthcare sectors and for the lubrication of O-ring seals in autogenous welding systems. At an operating temperature of 60°C, the pressure limit is 60 bar. The temperature range is from -40 to +200° C. Suitable for lubricating sliding and rolling elements made of metal (steel and non-ferrous metal) or synthetic material.

TANK-BOWL R1/2"

The SCAL bowl is made of clear plastic and used as a tank.
The cap is made of orange painted brass.



DIMENSIONS



ORDERING CODES

Code	Description
8261112	R1/2 tank-bowl

NB. The capacity is about 164 cm³.

NOTES

OIL CHECK VALVE WITH DRAIN Newdeal 1/4"

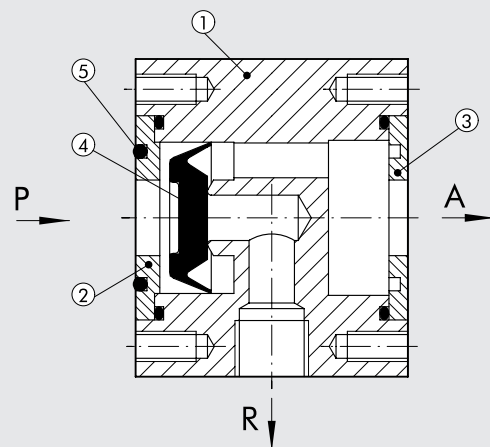
This module can be inserted between two New Deal 1/4" elements (e.g. a filter and a lubricator) to prevent the oil from returning due to back pressure. In this case oil is drained out via a 1/8" (R) threaded coupling.

NB. Use M4x75 screws to connect a regulator or filter-regulator to the lubricator.

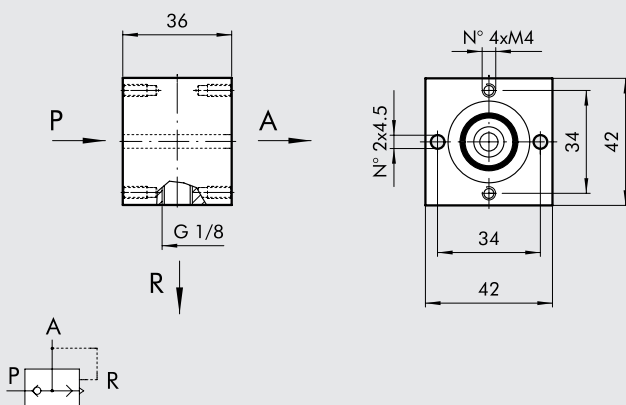


COMPONENTS

- ① Black anodised aluminium body
- ② Anodised aluminium input plate
- ③ Anodised aluminium output plate
- ④ Adiprene lip seal
- ⑤ NBR seals



DIMENSIONS



ORDERING CODES

Code	Description
8293138	VNRO New Deal 1/4

NB. Comes complete with 2 M4x82 tie rods and 2 connecting bushings.

OIL CHECK VALVE

Newdeal 3/8"-1/2"

This module can be inserted between two New Deal 3/8"-1/2" elements (e.g. a filter and a lubricator) to prevent the oil from returning due to back pressure.

1/4" (A1) couplings to be used as air intakes are mounted before the VNRO.

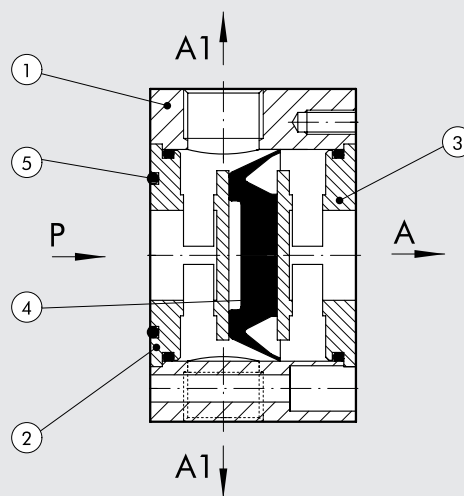
NB. Use M5x90 screws to connect a regulator or filter-regulator to the lubricator.



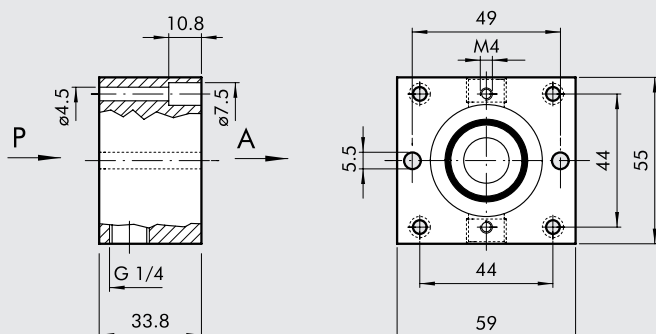
COMPONENTS

- ① Body made of black anodised aluminium
- ② Input spacer ring made of OT58 nickel-plated brass
- ③ Output spacer ring made of OT58 nickel-plated brass
- ④ Adiprene lip gasket
- ⑤ NBR seal

A1 = air intakes before VNRO



DIMENSIONS



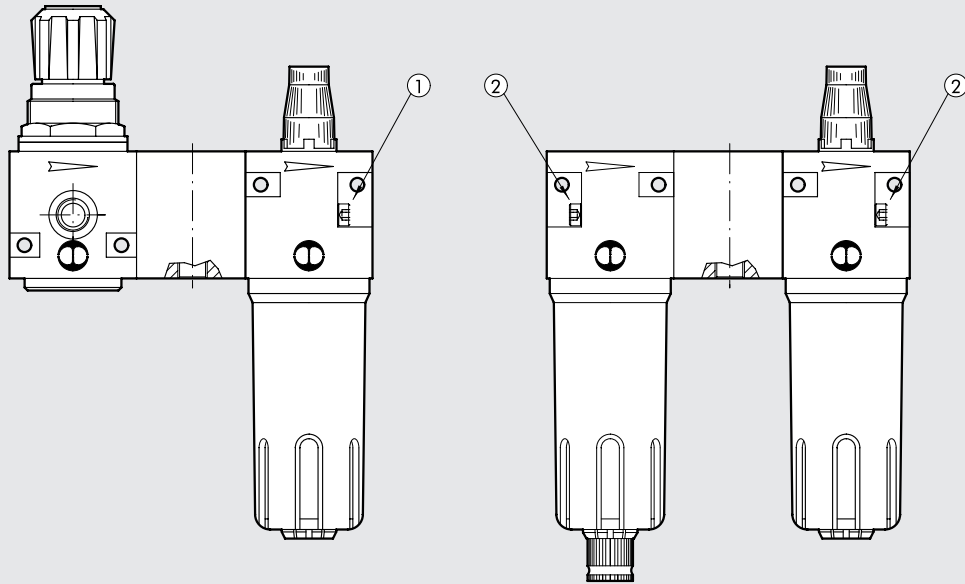
ORDERING CODES

Code	Description
8286727	VNRO New Deal 3/8-1/2

NB. Supplied complete with 2 M5x90 hex screws.

OIL CHECK VALVE New deal- ASSEMBLY

TYPICAL ASSEMBLY



- ① M4x75 for ND 1/4"
M5x90 for ND 3/8"-1/2"
- ② M4x40 for ND 1/4"
M5x55 for ND 3/8"-1/2"

NOTES

NOTES

UNITS

SUMMARY PRE-SET, PRESSURE



● **PRE-SET bit**

PAGE 104



● **PRE-SET New deal AND Skillair[®]**

PAGE 105



● **PRESSURE SWITCH WITH TWO ELECTRIC SIGNALS**

PAGE 106



● **PRESSURE SWITCHES**

PAGE 107

PRE-SET bit

The following two types are available:

- **Regulators with fixed setting:** that can be set and locked with pressure at a fixed value. The adjusting screw can be fixed with Loctite to lock regulation.
- **Regulators with maximum pressure setting:** pressure can be regulated up to the maximum preset value. A spacer can be inserted on the adjusting screw to limit pressure.

Both types can be supplied with a standard knob or a blank unserigraphed knob.

MR regulators and FR filters-regulators can also be supplied.

NB. Refer to the general catalogue for technical data.



The table below lists some of the versions currently available:

Code	Description	Type of setting	PM	PR	Notes
8295005	MR BIT 1/8 02 TF 2	TF	6	2	Without knob
8286723	MR BIT 1/8 04 TF 3	TF	6	3	Unserigraphed knob
8801703	MRA BIT 1/4 04 TF 4	TF	6	4	For water – unserigraphed knob
8286862	MR BIT 1/4 08 TF 8	TF	10	8	Unserigraphed knob
8849233	MRA BIT 1/8 01TM 1	TM	6	1	For water – unserigraphed knob
8286783	MR BIT 1/4 02 TM 1.5	TM	6	1.2	Unserigraphed knob
8295007	MR BIT 1/4 02 FC TM 1.8	TM	6	1.8	02 FC standard knob
8825972	MR BIT 1/8 04 TM 4	TM	6	4	04 standard knob
8825936	MR BIT 1/4 04 TM 4	TM	6	4	04 standard knob
8238506	MR BIT 1/4 04 TM 5	TM	6	5	Unserigraphed knob
8292123	MR BIT 1/8 08 TM 6	TM	7.5	6	06 knob
88301N3	MR BIT 1/4 08 TM 6	TM	7.5	6	06 knob

TF = fixed setting
 TM = maximum setting
 PM = upstream pressure
 PR = regulated pressure

NOTES

The fixed or maximum upstream pressure and regulated pressure must always be defined.

The regulators must have a tolerance on the nominal value, measured without flow rate, as follows:

- for fixed setting: ± 0.1 bar
- for max pressure setting: $\pm 15\%$ of the maximum regulated pressure, and in no case less than ± 0.4 bar.

PRE-SET New deal AND Skillair®

The following two types are available:

- **Regulators with fixed setting:** that can be set and locked with pressure at a fixed value.
The adjusting screw can be fixed with Loctite to lock regulation.
- **Regulators with maximum pressure setting:** pressure can be regulated up to the maximum preset value.
A spacer can be inserted on the adjusting screw to limit pressure.

Both types can be supplied with a standard knob or a blank unserigraphed knob.

MR regulators and FR filters-regulators can also be supplied.

NB. Refer to the general catalogue for technical data.



NOTES

The fixed or maximum upstream pressure and regulated pressure must always be defined

The regulators must have a tolerance on the nominal value, measured without flow rate, as follows:

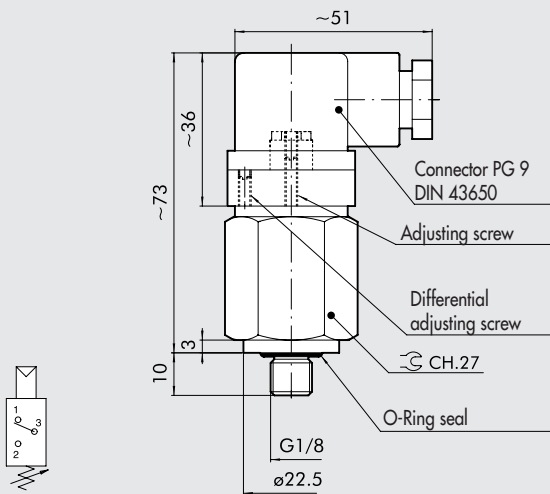
- for fixed setting: ± 0.1 bar
- for max pressure setting: $\pm 15\%$ of the maximum regulated pressure, and in no case less than ± 0.4 bar.

PRESSURE SWITCH WITH TWO ELECTRIC SIGNALS

This pressure switch has two separate electric signals for opening and closing. The pressure difference for opening and closing can be regulated. The pressure switch comes with connector and fairlead.



DIMENSIONS



TECHNICAL DATA

Operating pressure	bar	from 1 to 10
Maximum static pressure	bar	80
Switching tolerance at 25 °C	bar	±0.4
Differential		min 10% - max 30% actual value
Temperature range	°C	from -5 to +90
Maximum voltage	VAC	250
Max. current intensity	A	6 (resistive) - 2 (inductive)
Degree of protection		IP65 DIN40050
Body		brass
Connector and fairlead	PA	6.6
Electric contacts		silver-coated copper 3µm
Diaphragm		NBR
Max. no. of switching at 25°		120 cycles/1'
Mechanical life		1000000 cycles
Torque	kgm	5
Weight	g	100

ORDERING CODES

Code	Description
9000301	Adjustable pressure switch 1/8" PSM 10 R18 NA-NC

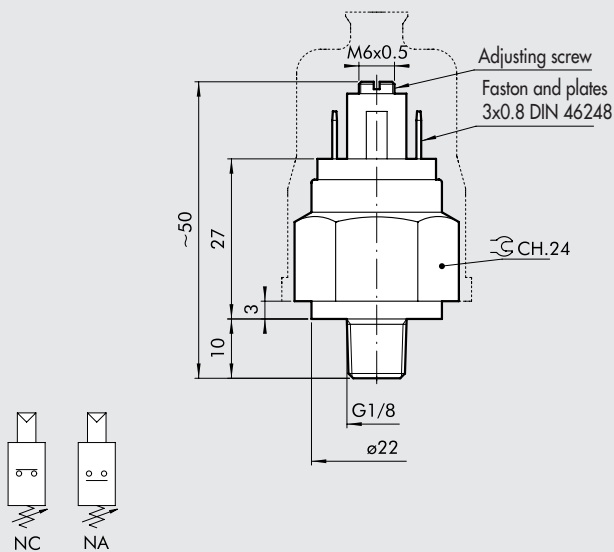
NOTES

PRESSURE SWITCHES

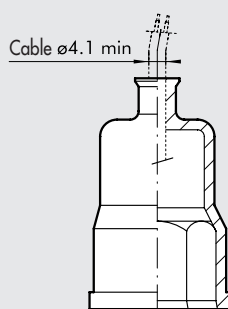
These pressure switches send an electric signal when they reach a pressure that can be adjusted by means of a screw.
 The NO version sends a signal if the pressure exceeds the set value.
 The NC version sends a signal if the pressure is below the set value.



DIMENSIONS



SAFETY CAP



TECHNICAL DATA

Operating pressure	bar	from 2 to 10
Maximum static pressure	bar	80
Switching tolerance at 25 °C	bar	±0.3
Fixed differential at 25 °C	bar	0.2
Temperature range	°C	from -5 to +60
Type of contact		NA o NC
Maximum voltage	VAC	48
Maximum working power	VA	20
Max. current intensity	A	0.5 (resistive) - 0.2 (inductive)
Rigidity test		1500 V - 10 mA -10 s
Degree of protection		IP00
Degree of protection with CAP1		IP54
Body		brass
Faston contact holding frame	PA	6.6 charged
Electric contacts		silver-coated copper 3µm
Diaphragm		NBR
Max. no. of switching at 25°		200 cycles/1'
Mechanical life		1000000 cycles
Torque	kgm	5
Weight	g	63

ORDERING CODES

Code	Description
9000101	Adjustable pressure switch 1/8" PMN 10 NA
9000201	Adjustable pressure switch 1/8" PMN 10 NC
9000901	Safety cap CAP1