

Plug-In Current Transformers, 855 Series

with CAGE CLAMP® Connector



	Plug-In Current Transformers Secondary rated current: 1 A	Plug-In Current Transformers Secondary rated current: 5 A
--	---	---

Short description:

The 855 Series Plug-In Current Transformers are inductive, single-conductor current transformers. Based on the principle of measurement, current transformers of this type are for use in AC networks exclusively.

Features:

- Screwless CAGE CLAMP® connection technology
- Several mounting options available
- Vibration- and shock-resistant
- High mechanical retention forces
- High current-carrying capacity
- Continuous overload of 120 % the nominal primary current
- Low-voltage current transformer for max. operating voltages up to 1.2 kV
- Can be used in 690 V power networks
- UL (Recognized Components)



Description	I _{pr}	I _{sr}	S _r	G	Item No.	Pack. Unit	I _{pr}	I _{sr}	S _r	G	Item No.	Pack. Unit
Plug-in current transformer	600 A	1 A	5 VA	1	855-401/600-501	1	300 A	5 A	5 VA	1	855-305/300-501	1
	1500 A	1 A	5 VA	1	855-601/1500-501	1	250 A	5 A	5 VA	1	855-405/250-501	1
	2000 A	1 A	10 VA	1	855-801/2000-1001	1	750 A	5 A	5 VA	1	855-405/750-501	1
	2500 A	1 A	10 VA	1	855-1001/2500-1001	1	400 A	5 A	10 VA	1	855-505/400-1001	1
							600 A	5 A	10 VA	1	855-505/600-1001	1
							800 A	5 A	10 VA	1	855-505/800-1001	1
							1500 A	5 A	5 VA	1	855-605/1500-501	1
							2000 A	5 A	10 VA	1	855-805/2000-1001	1
							2500 A	5 A	10 VA	1	855-1005/2500-1001	1
I _{pr} = Primary rated current												
I _{sr} = Secondary rated current												
S _r = Rated power												
G = Accuracy class												

Technical Data

Input:		
Rated continuous thermal current I _{cth}	1.2 x I _N	1.2 x I _N
Rated short-time thermal current I _{th}	60 x I _N (max.100 kA), 1 s	60 x I _N (max.100 kA), 1 s
Max. operating voltage U _m	1.2 kV	1.2 kV
Rated frequency	50 Hz ... 60 Hz	50 Hz ... 60 Hz
Overcurrent limiting factor FS	FS5 or FS10 (type-dependent, see type plate inscription)	FS5 or FS10 (type-dependent, see type plate inscription)
Environmental requirements:		
Ambient operating temperature	-5 °C ... +50 °C	-5 °C ... +50 °C
Storage temperature	-25 °C ... +70 °C	-25 °C ... +70 °C
Max. operating altitude	1000 m	1000 m
Safety and protection:		
Test voltage	6 kV _{rms} AC / 50 Hz / 1 min	6 kV _{rms} AC / 50 Hz / 1 min
Insulation class	E	E
Connection:		
Connection technology	CAGE CLAMP®	CAGE CLAMP®
Cross sections	0.08 ... 4 mm ² / 28 ... 12 AWG	0.08 ... 4 mm ² / 28 ... 12 AWG
Strip lengths	9 ... 10 mm / 0.35 ... 0.39 in.	9 ... 10 mm / 0.35 ... 0.39 in.
Standards and approvals:		
Conformity marking	CE	CE
Standards/specifications	EN 61869-1; EN 61869-2	EN 61869-1; EN 61869-2
UL (Recognized Components)	E356480	E356480

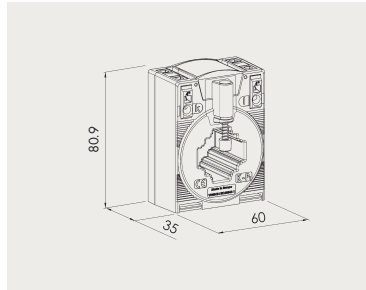
Accessories	Item No.	Pack. Unit
Carrier rail adapter for plug-in current transformers (for 855-3xx/xxxx-xxxx and	855-9900	1
Quick-mount kit	855-9910	1
Operating tool, with partially insulated shaft, type 2, blade (3.5 x 0.5) mm	210-720	1
Connector assembly for current transformer	2007-8873	1

Dimensions:

855 Series

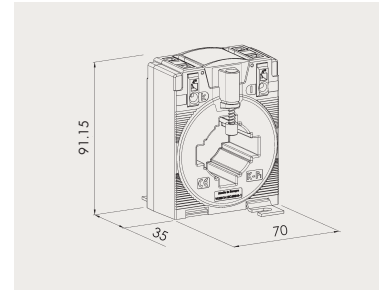
855-3xx/xxxx-xxxx

Busbar 1: 30 x 10 mm
Busbar 2: 25 x 12 mm
Busbar 3: 20 x 20 mm
Round cable: 26 mm



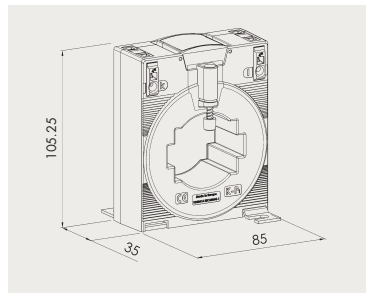
855-4xx/xxxx-xxxx

Busbar 1: 40 x 10 mm
Busbar 2: 30 x 15 mm
Round cable: 32 mm



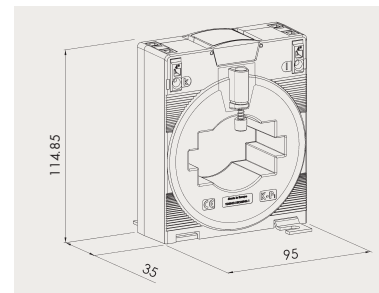
855-5xx/xxxx-xxxx

Busbar 1: 50 x 12 mm
Busbar 2: 40 x 30 mm
Round cable: 44 mm



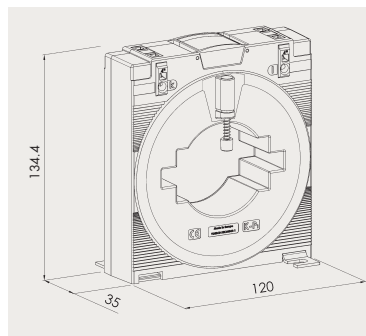
855-6xx/xxxx-xxxx

Busbar 1: 63 x 10 mm
Busbar 2: 50 x 30 mm
Round cable: 44 mm



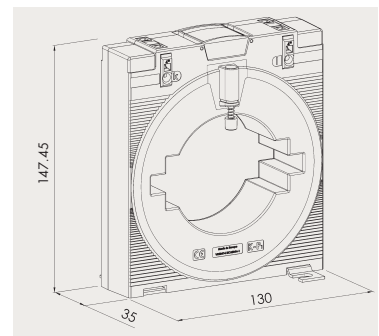
855-8xx/xxxx-xxxx

Busbar 1: 80 x 10 mm
Busbar 2: 60 x 30 mm
Round cable: 55 mm



855-10xx/xxxx-xxxx

Busbar 1: 100 x 10 mm
Busbar 2: 80 x 30 mm
Round cable: 70 mm



Simple termination! Quick and easy mounting!



Note:

The carrier rail adapter is only suitable for 855-3xx/xxxx-xxxx and 855-4xx/xxxx-xxxx transformers.