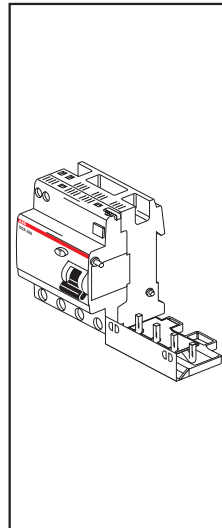


**DDA 200**  
System pro M  
compact®



2CSB423001D0005

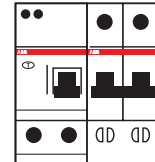
- |                |         |
|----------------|---------|
| DDA200 AC      | S200 SL |
| DDA200 A       | S200 L  |
| DDA200 AC S    | S200    |
| DDA200 A S     | S200 M  |
| DDA200 AC AP-R | S200 P  |
| DDA200 A AP-R  | S200 P  |
| DDA200 AC G    | M200 P  |
| DDA200 A G     |         |
| DDA200 F       |         |

ABB S.p.A.  
V.le dell'Industria 18  
20010 Vittuone (MI), Italy

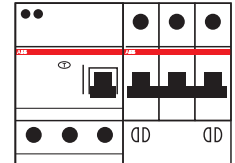


www.abb.com/lowvoltage

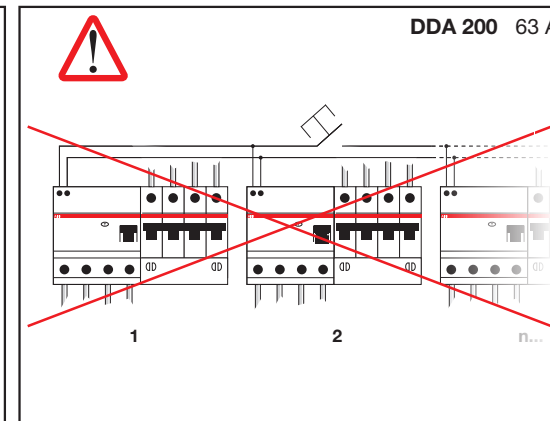
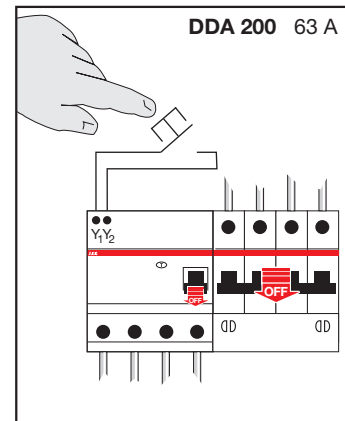
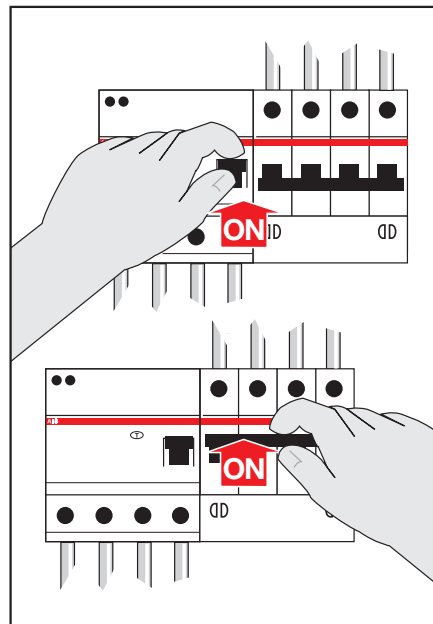
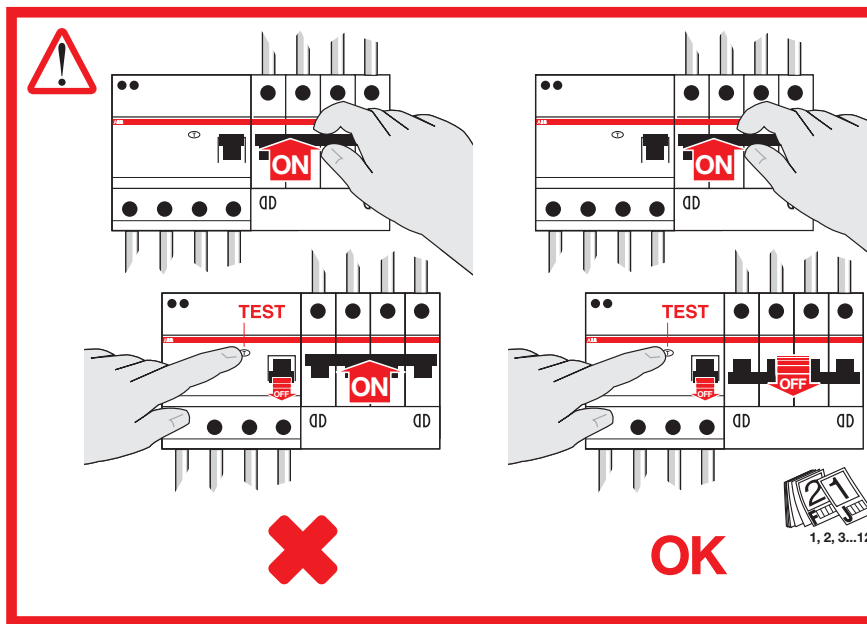
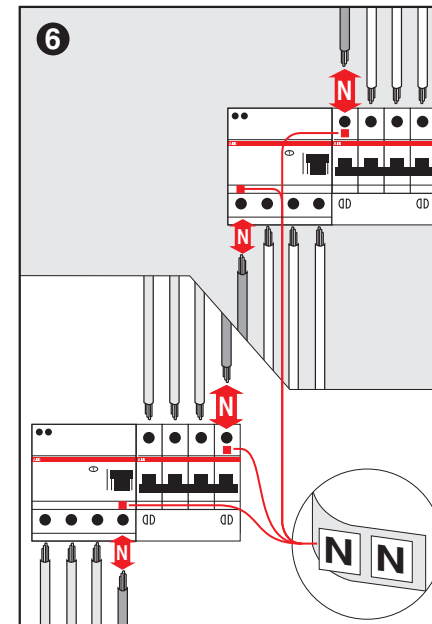
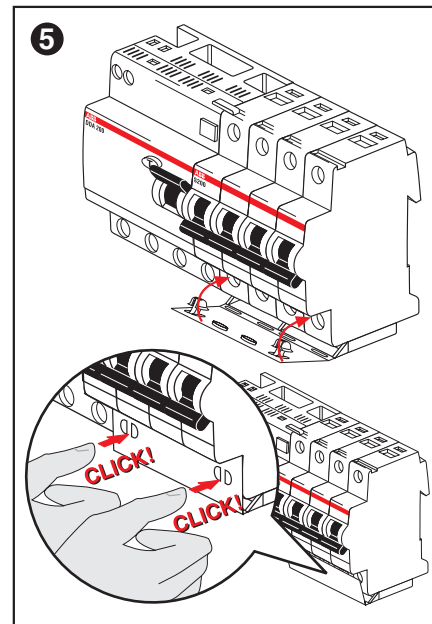
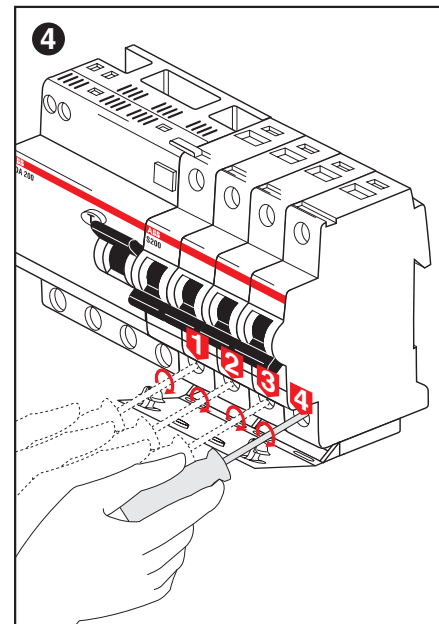
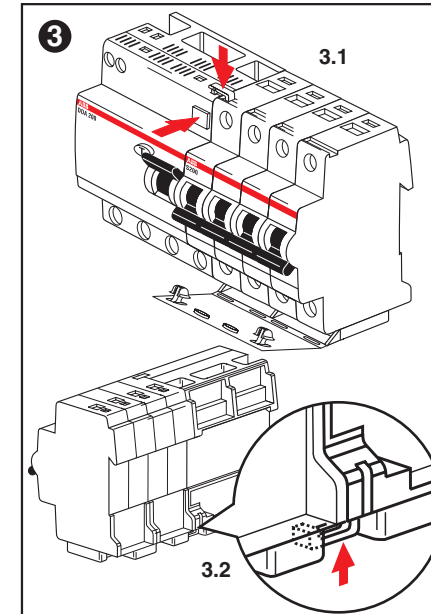
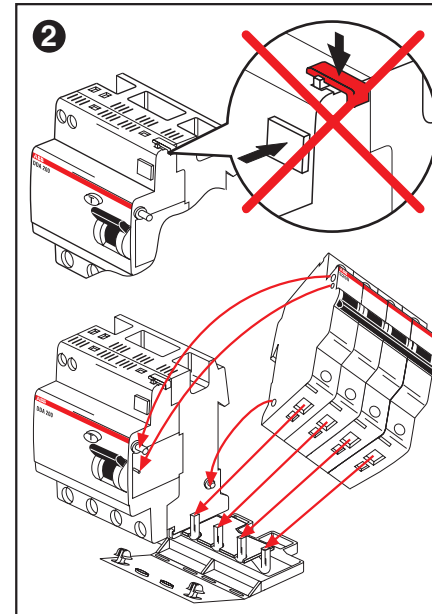
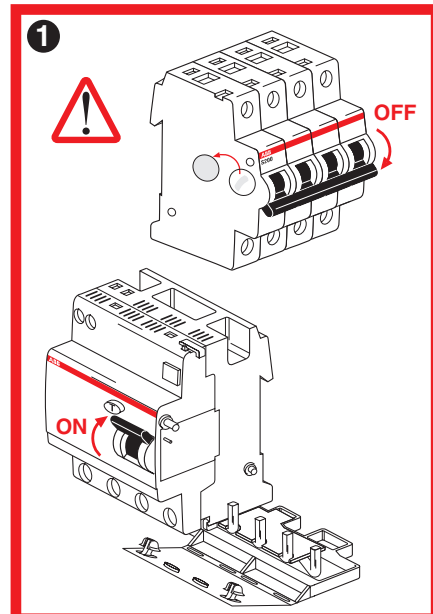
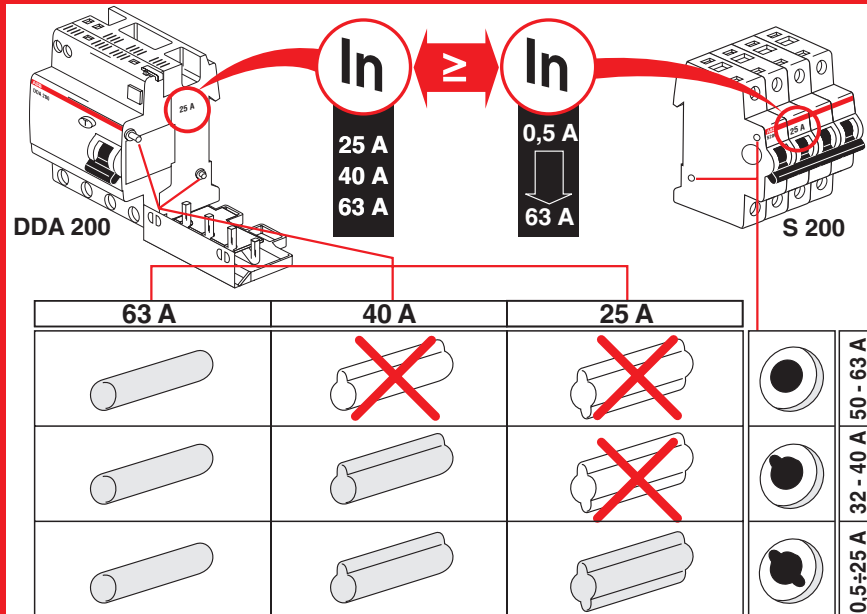
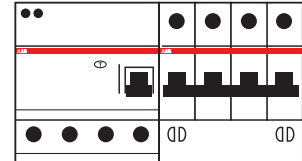
DDA 202 + S 202 ... / S 201 ... NA



DDA 203 + S 203 ...



DDA 204 + S 204 ... / S 203 ... NA



	Standard terminals System pro M compact (25 mm <sup>2</sup> )		Additional terminals for remote tripping (6 mm <sup>2</sup> )	
2P: 25A ≤ In ≤ 40A	12,5 mm	2,8 Nm	Additional terminals not present	
3P/4P: 25A ≤ In ≤ 40A	12,5 mm	1,2 Nm	Additional terminals not present	
2P/3P/4P: In = 63A	12,5 mm	2,8 Nm	10,2 mm	0,8 Nm